

**START BY:**

Identifying each window with the rough opening it is to be installed into. Next, unpack the unit and measure to ensure proper size. Measure its rough opening and ensure that rough opening is 1/2" larger in width and 1/2" larger in height than the frame size of the window unit to be installed into that rough opening.

**PRE-DRILL WINDOW BEFORE INSTALLATION:**

- Pre-drill each thru frame screw hole on the window unit before installing the window into the rough opening.
- Hole locations:** 3" from each corner. 16" on center thereafter working around the perimeter of window unit.
- Pilot holes are 1/8", pre-drill thru both walls on the window frame.
- Next, for each hole, re-drill a 3/8" access hole on the 1st wall of the frame to allow for fastener head clearance.
- Take care to not scuff exposed surfaces of frame.

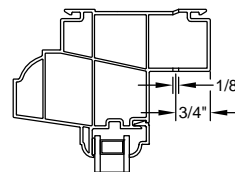
**ROUGH OPENING PREPARATION:**

- Check rough opening for proper size, plumb, level and square.
- Make all necessary adjustments to ensure rough opening is plumb, level & square.
- Sill must be flat, level and capable of supporting the weight of the unit.
- Opening must allow a maximum of 1/4" shim space at head, sill and each jamb.
- Buck, framing, fasteners, sealant and all wall system materials are provided by others.
- Flash opening.

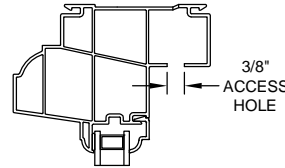
**INSTALL UNIT:**

- Shims are to be placed behind each anchor screw location.
- Maintain a 1/4" maximum shim space at head, sill and each jamb.
- Install #8 x 2" PPH galvanized screws into pre-drilled installation holes, through the frame and into the framing material. Starting at one corner at the head, install screw, check for level / plumb. Continue fastening around the unit, at head, sill and side jambs. Checking for level and plumb as you work around the unit. Do not over tighten fastener.
  - Install access hole cap over each hole
  - Silicone seal over each cap
- 1" minimum fastener embedment into framing material.
- Apply a continuous bead of sealant between the unit and the rough opening at the head, sill and side jambs to secure unit to framing material.
- Install backer rod and sealant.

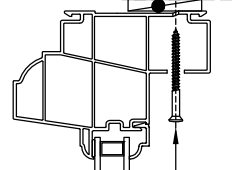
**C. PRE-DRILL**



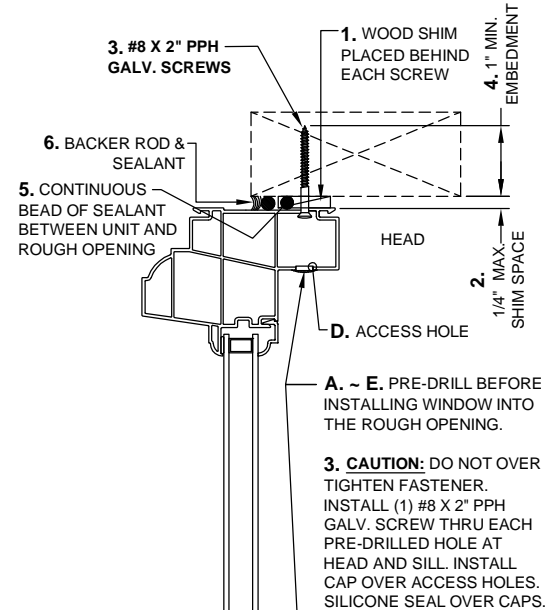
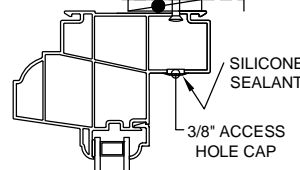
**D. PRE-DRILL**



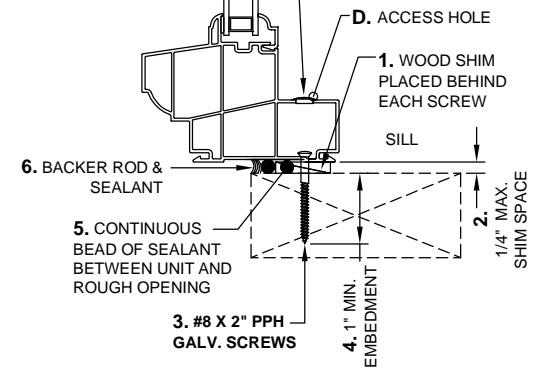
**3. INSTALL**



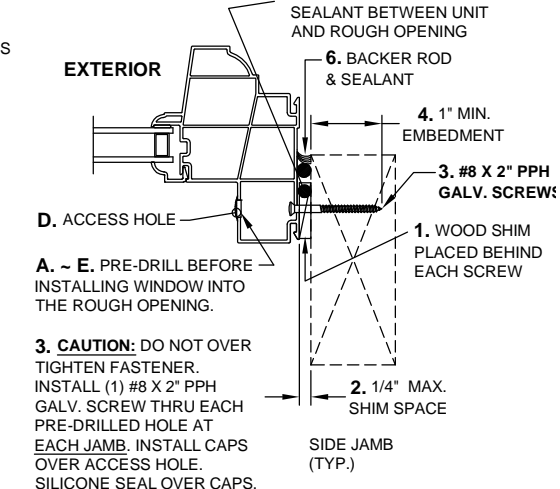
**3. INSTALL**



**EXTERIOR**



**EXTERIOR**



Installation requirements may vary in particular locations and in other types of construction. Proper installation is essential, and Superseal Windows & Doors, recommends consultation with an AAMA Certified Installer, or other qualified, registered building professional before installation of any Superseal product. Proper installation of Superseal products is the responsibility of the installer. Superseal is not responsible for the design of, conditions in, or performance of building construction beyond the perimeters of the Superseal units. Superseal is not responsible for proper integration of the Superseal units with the weather-repellent systems of the building.