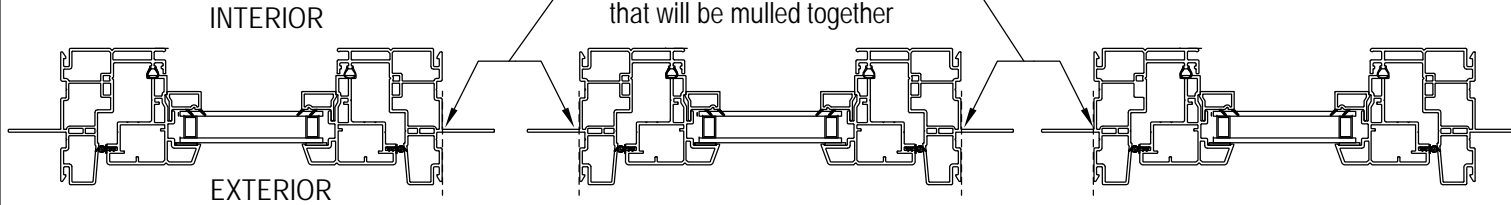


General Instructions

- Mull units on a clean work surface. Be sure to protect the surfaces of the unit from being scuffed or scratched.
- Use adequate number of people to handle the units being mulled.
- Identify units to be mulled.
- Lay units with exterior side down, as they are to be mulled.
- Proceed to Step #1. Reference diagrams

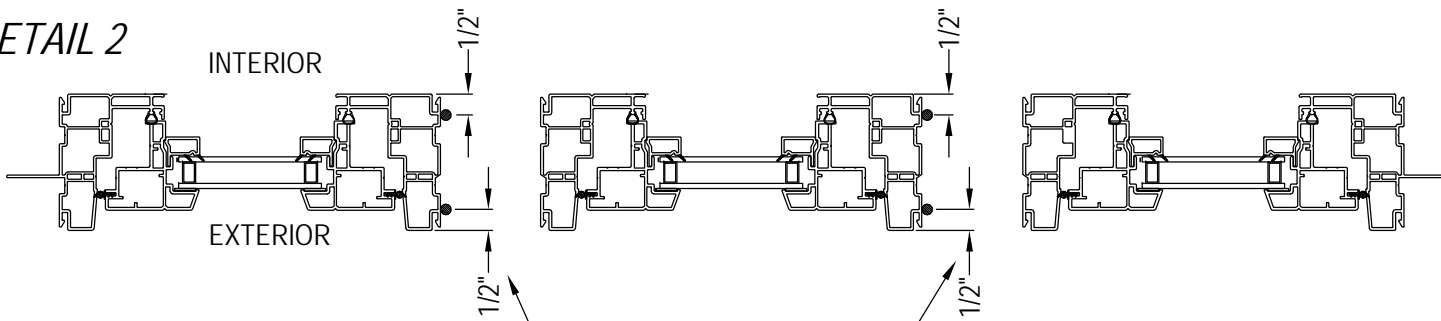
1. Score and remove vinyl nailing fin from jambs of the units being mulled together, *DETAIL 1*
2. Apply two 1/8" continuous vertical beads of silicone located 1/2" from edge of jambs with silicone applied the entire length of the jamb (beads located on flat surface 1/2" from interior and exterior of profiled edge). Apply 1/8" bead of silicone horizontally, 1/2" from the edge of the head and sill of the jamb. *DETAIL 2.*
3. Center and press the 1/2" plywood mull profile against initial jamb profile, *DETAIL 3.*
4. Screw through the plywood into the vinyl jamb using #7x7/8" PFH screws spaced 3" from top, 3" from the bottom of jamb and 12" O.C thereafter., *DETAIL 4.*
5. Seal other jamb to the plywood jamb, *DETAIL 5.*
6. Snap in interior mull cover. Using adequate number of people, flip the units up and apply the exterior mull covers, *DETAIL 6.*
7. Apply silicone to the top and bottom mull joints; trowl smooth for coverage and proper seal, *DETAIL 7.*

DETAIL 1



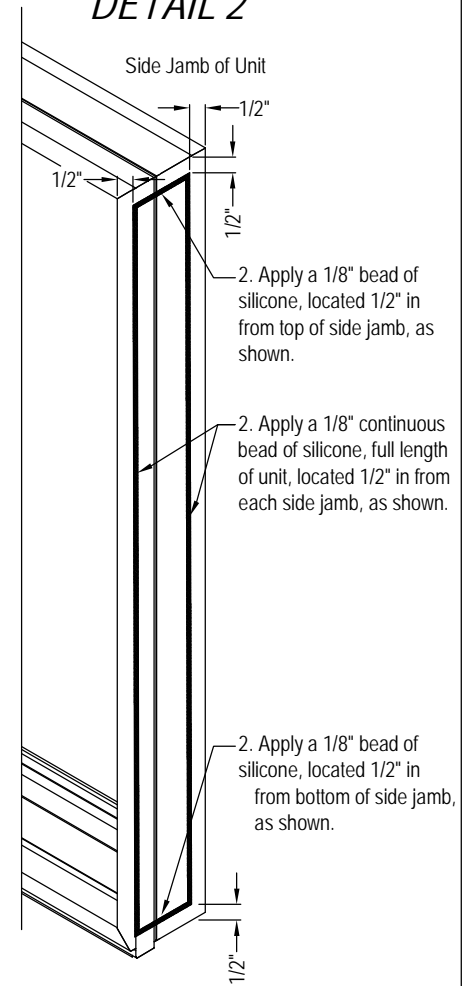
1. Score and remove vinyl nail fin from the jambs of the units that will be mulled together

DETAIL 2



2. Apply two 1/8" continuous beads of silicone, full length of unit, located 1/2" in from each side jamb, as shown.

DETAIL 2

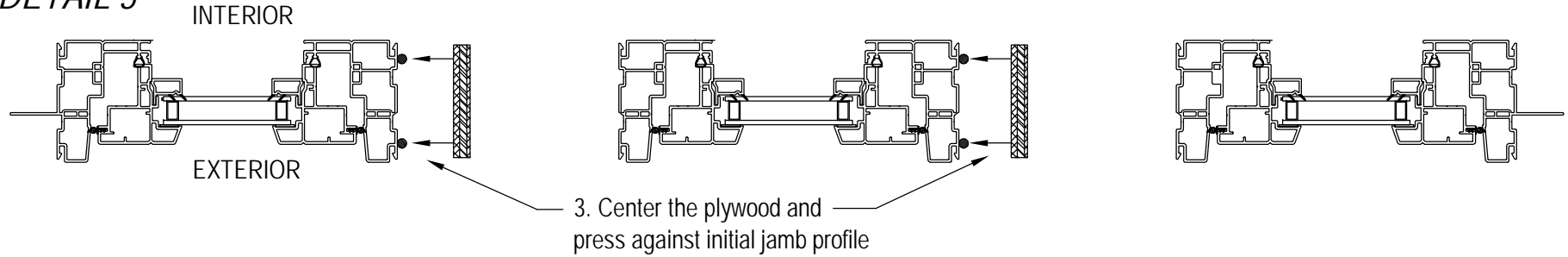


2. Apply a 1/8" bead of silicone, located 1/2" in from top of side jamb, as shown.

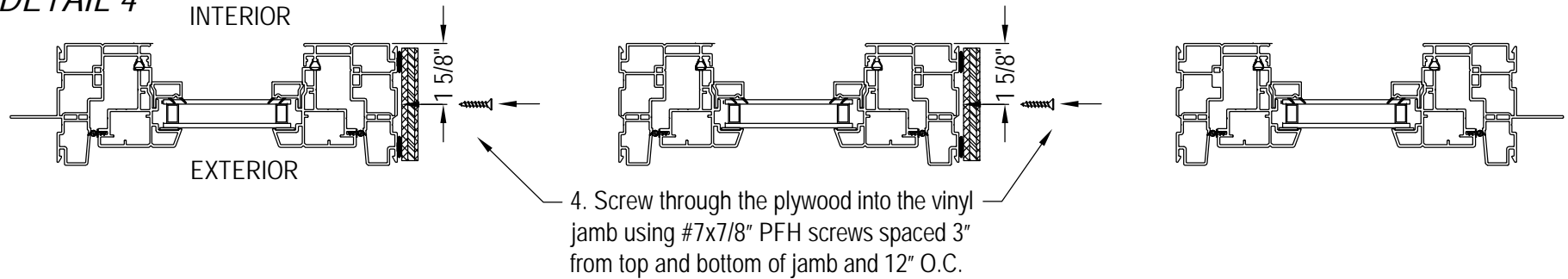
2. Apply a 1/8" continuous bead of silicone, full length of unit, located 1/2" in from each side jamb, as shown.

2. Apply a 1/8" bead of silicone, located 1/2" in from bottom of side jamb, as shown.

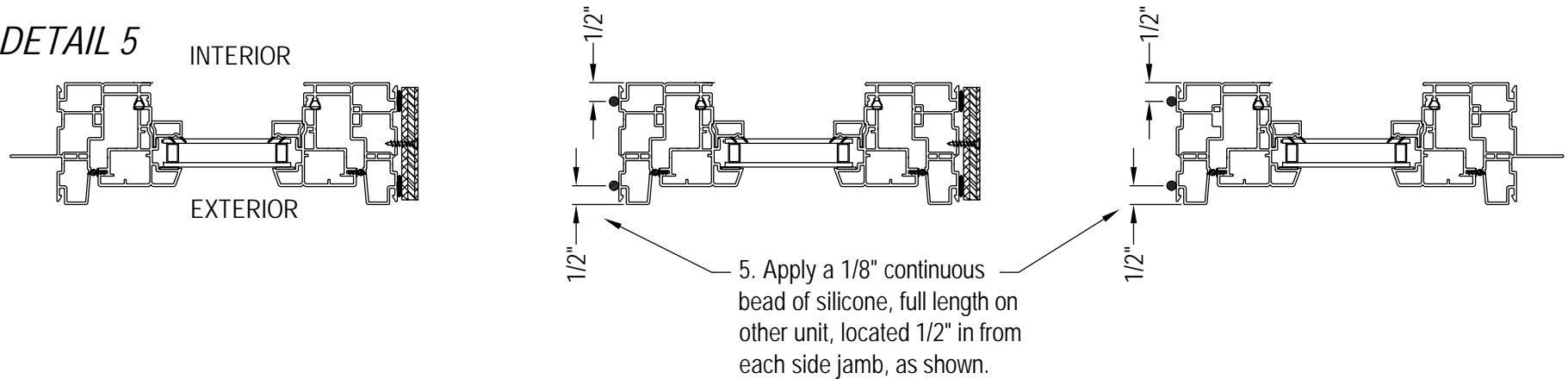
DETAIL 3



DETAIL 4

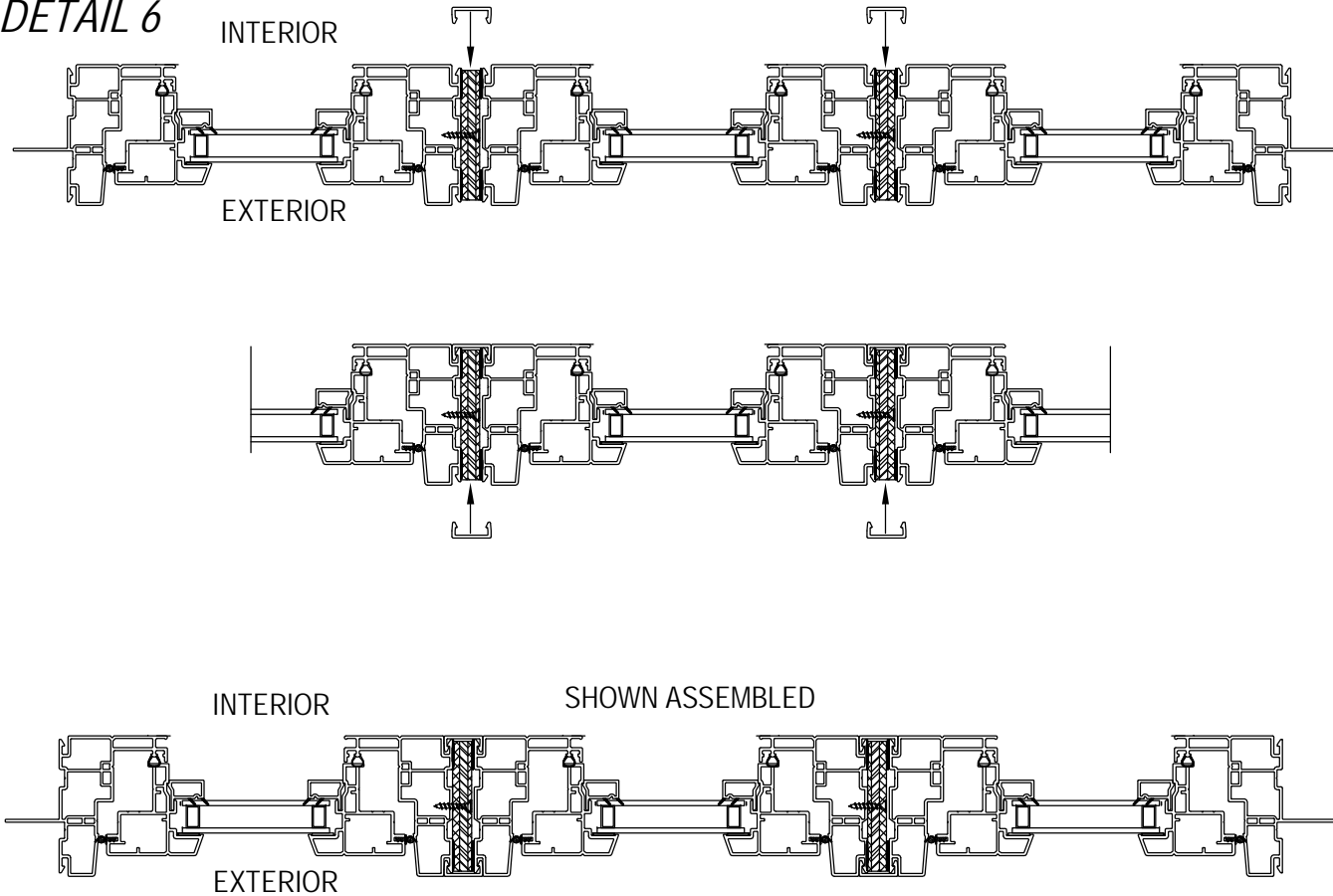


DETAIL 5



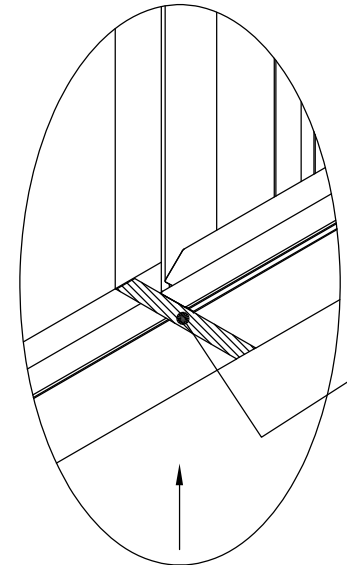
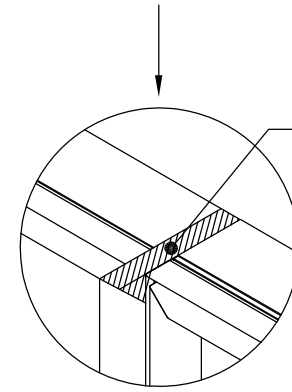
6. Put units together. Install interior mull cover.
Carefully, using enough people to support units,
flip them over and apply the exterior mull cover.

DETAIL 6



DETAIL 7

Viewed looking down
at the top of the mull



Viewed looking up at
the bottom of the mull