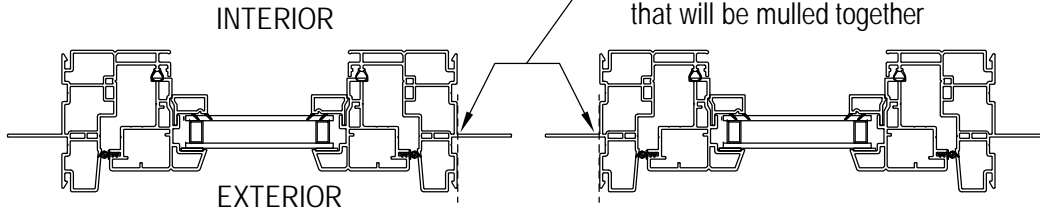


General Instructions

- Mull units on a clean work surface. Be sure to protect the surfaces of the unit from being scuffed or scratched.
- Use adequate number of people to handle the units being mulled.
- Identify units to be mulled.
- Lay units with exterior side down, as they are to be mulled.
- Proceed to Step #1. Reference diagrams

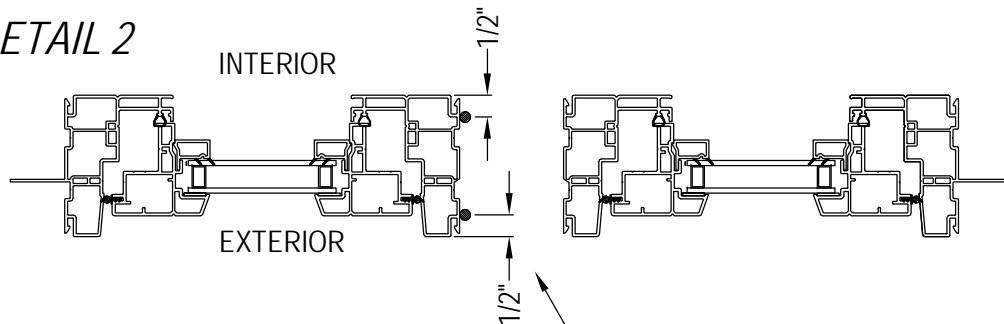
1. Score and remove vinyl nailing fin from jambs of the units being mulled together, *DETAIL 1*.
2. Apply two 1/8" continuous vertical beads of silicone located 1/2" from edge of jambs with silicone applied the entire length of the jamb (beads located on flat surface 1/2" from interior and exterior of profiled edge). Apply 1/8" bead of silicone horizontally, 1/2" from the edge of the head and sill of the jamb. *DETAIL 2*.

DETAIL 1



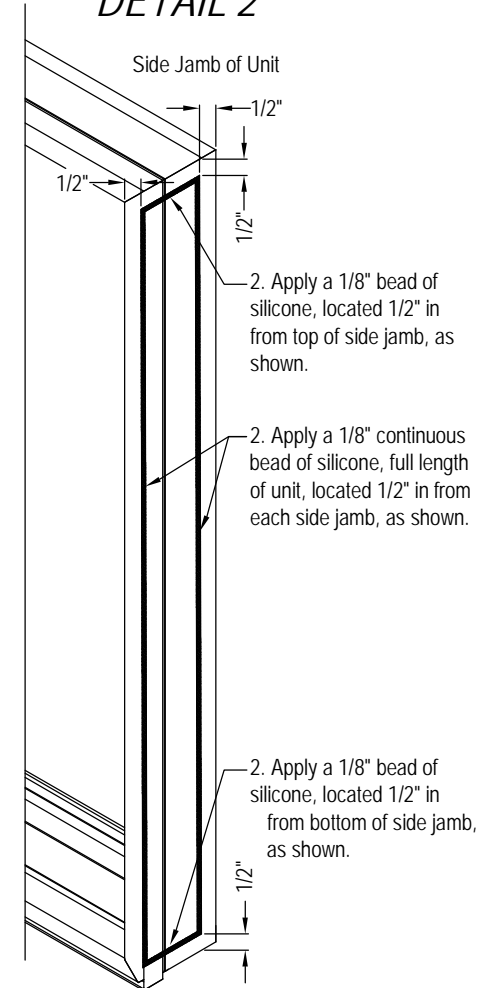
1. Score and remove vinyl nail fin from the jambs of the units that will be mulled together

DETAIL 2



2. Apply two 1/8" continuous bead of silicone, full length of unit, located 1/2" in from each side jamb, as shown.

DETAIL 2



Side Jamb of Unit

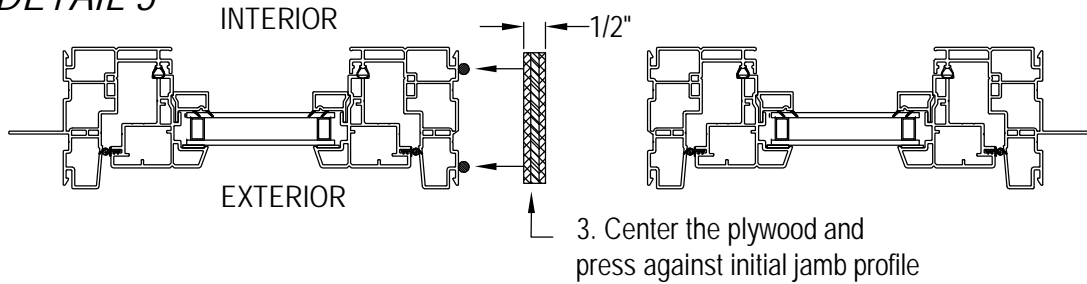
2. Apply a 1/8" bead of silicone, located 1/2" in from top of side jamb, as shown.

2. Apply a 1/8" continuous bead of silicone, full length of unit, located 1/2" in from each side jamb, as shown.

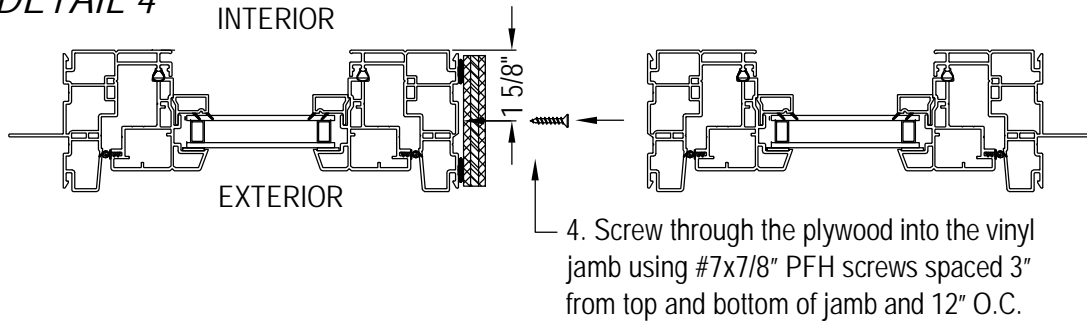
2. Apply a 1/8" bead of silicone, located 1/2" in from bottom of side jamb, as shown.

3. Center and press the 1/2" plywood mull profile against initial jamb profile, *DETAIL 3*.
4. Screw through the plywood into the vinyl jamb using #7x7/8" PFH screws spaced 3" from top, 3" from the bottom of jamb and 12" O.C thereafter., *DETAIL 4*.
5. Seal other jamb to the plywood jamb, *DETAIL 5*.

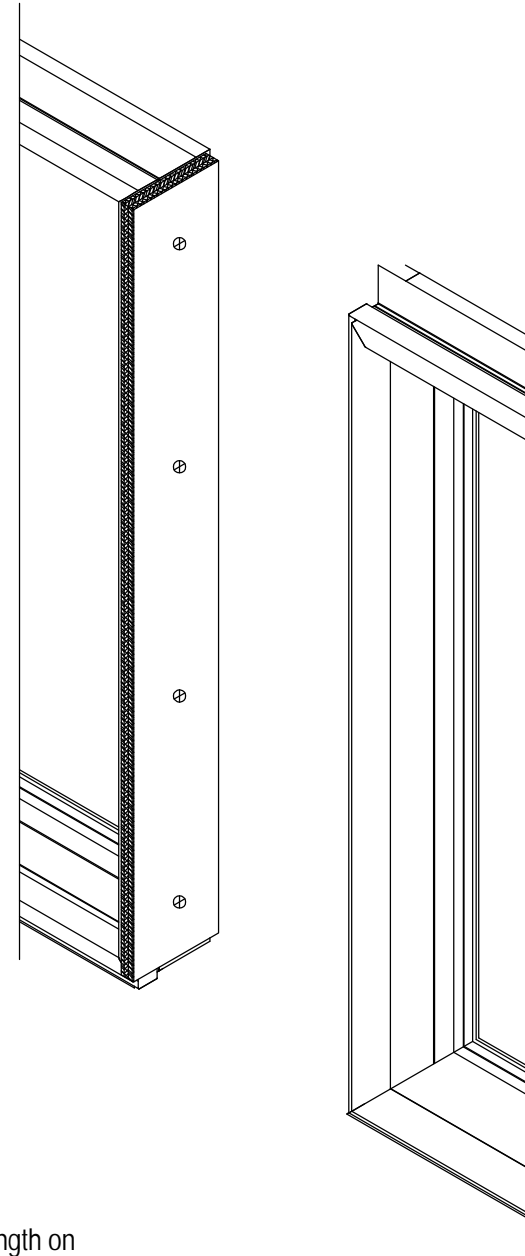
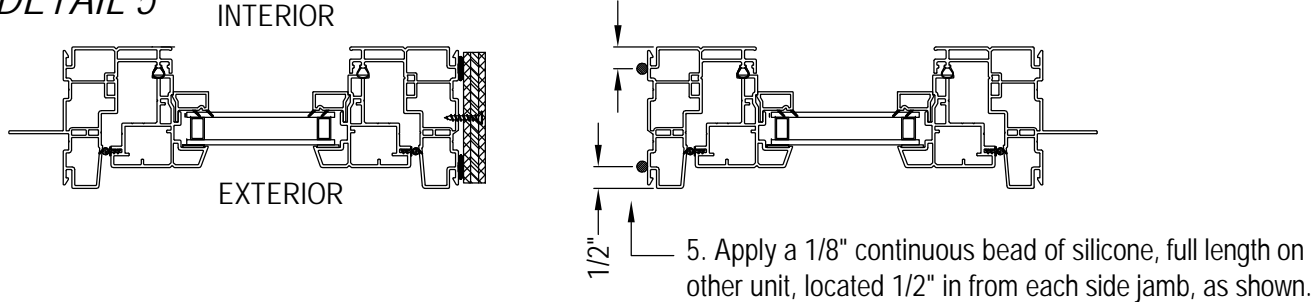
DETAIL 3



DETAIL 4



DETAIL 5

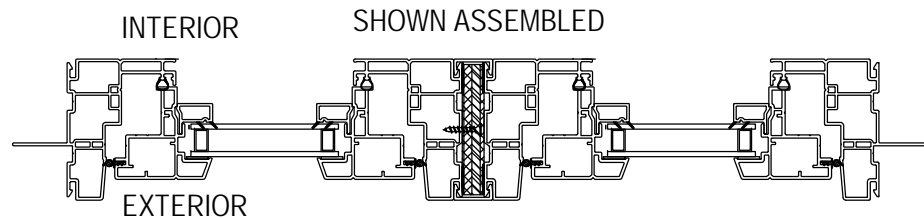
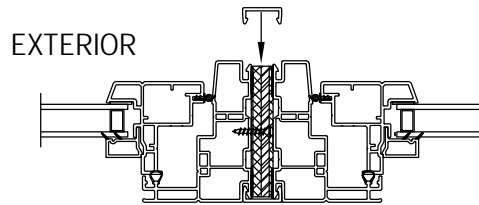
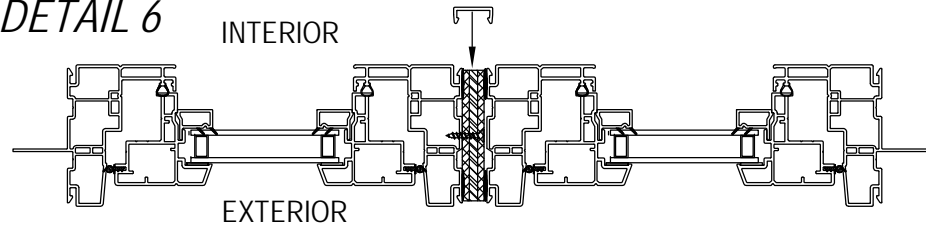


6. Snap in interior mull cover. Using adequate number of people, flip the units up and apply the exterior mull covers, *DETAIL 6*.

7. Apply silicone to the top and bottom mull joints; trowl smooth for coverage and proper seal, *DETAIL 7*.

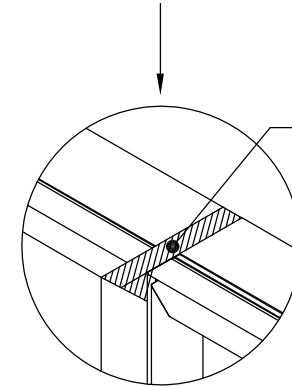
6. Put units together. Install interior mull cover.
Carefully, using enough people to support units,
flip them over and apply the exterior mull cover.

DETAIL 6

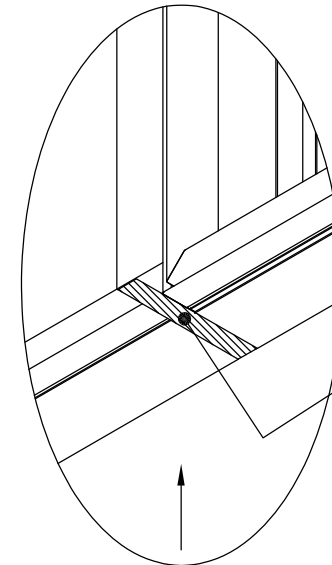


DETAIL 7

Viewed looking down
at the top of the mull



2. Apply sealant at
the mull location, trowl
smooth ensuring it
covers area evenly.



2. Apply sealant at
the mull location, trowl
smooth ensuring it
covers area evenly.

Viewed looking up at
the bottom of the mull