



*******BUILDERS SERIES SINGLE HUNG - PASS THROUGH UNIT *******
WARNING ----- THE FIXED GLASS IN THIS UNIT IS NOT GLAZED -----

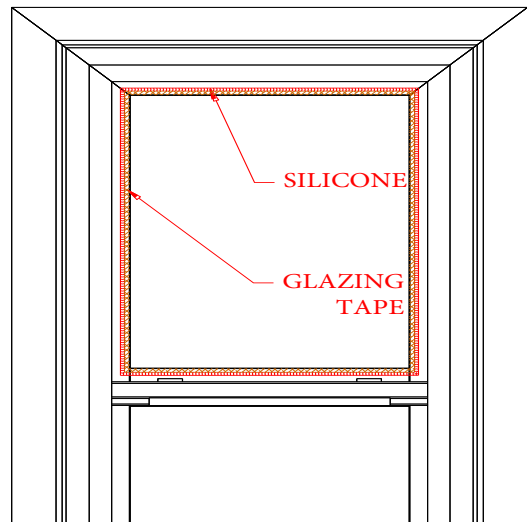
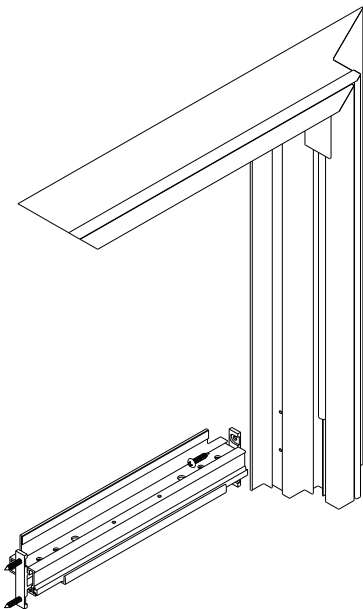
**TO CONVERT THIS UNIT TO A "PASS THROUGH" AFTER INSTALLATION,
FOLLOW THESE STEPS.**

1. REMOVE THE OPERATING SASH FROM THE UNIT
2. REMOVE THE KEEPER FROM THE FIXED MEETING RAIL USING A PHILLIPS SCREW DRIVER
3. REMOVE THE GLAZING BEADS USING A PUTTY KNIFE BEING CAREFUL TO HOLD THE GLASS IN PLACE

(NOTE: THE GLASS IS ONLY HELD IN PLACE BY THE GLAZING BEAD)

4. REMOVE THE FIXED IG FROM THE UNIT.
(NOTE: USE PROTECTIVE GEAR WHEN HANDLING GLASS)
5. REMOVE THE FIXED MEETING RAIL USING A PHILLIPS SCREW DRIVER
6. STORE THE KEEPER WITH SCREWS, GLAZING BEADS, FIXED MEETING RAIL WITH SCREWS AND IG IN A SAFE/CLEAN PLACE FOR REINSTALLATION
7. APPLY PROTECTIVE COVERAGE TO THE SILL AND JAMBS OF THE UNIT TO PREVENT DAMAGE

NOTICE: GLASS BREAKAGE, LOST PARTS AND FRAME DAMAGE ARE NOT COVERED BY WARRANTY.



TO GLAZE THIS UNIT, FOLLOW THESE STEPS.

1. RE-INSTALL MEETING RAIL INTO UNIT USING FASTENERS FROM REMOVAL PROCESS.

TO GLAZE THIS UNIT, FOLLOW THESE STEPS.

2. APPLY APPROXIMATELY 1/4" TO 3/8" BEAD OF SILICONE TO UNIT
3. REMOVE TAPE BACKING. INSTALL SHIMS AT QUARTERPOINTS AT MEETING RAIL.
4. EQUALLY SPACE GLASS IN FRAME AND INSTALL. PLACE SHIMS AT JAMBS.
5. INSTALL GLAZING BEADS.
6. INSTALL KEEPER.
7. REPLACE OPERATING SASH.