

SIZING HEIGHT FORMULAS

BASIC UNIT HEIGHT = (INNER GLASS HEIGHT + 5.688" or
OUTER GLASS HEIGHT + 6.688"

INNER GLASS HEIGHT = (BASIC UNIT HEIGHT - 5.688")

INNER SASH HEIGHT = (BASIC UNIT HEIGHT - 3.141" or
INNER GLASS HEIGHT + 2.547"

OUTER GLASS HEIGHT = BASIC UNIT HEIGHT - 6.688")

OUTER SASH HEIGHT = BASIC UNIT HEIGHT - 4.141" or
OUTER GLASS HEIGHT + 2.547"

SCREEN HEIGHT = BASIC UNIT HEIGHT - 4.406"

SIZING WIDTH FORMULAS

BASIC UNIT WIDTH = (GLASS WIDTH + GLASS WIDTH) + 7.000"

INNER GLASS WIDTH = (BASIC UNIT WIDTH / 2) - 3.000"

INNER SASH WIDTH = (BASIC UNIT WIDTH / 2) - .438" or
INNER GLASS WIDTH + 2.562"

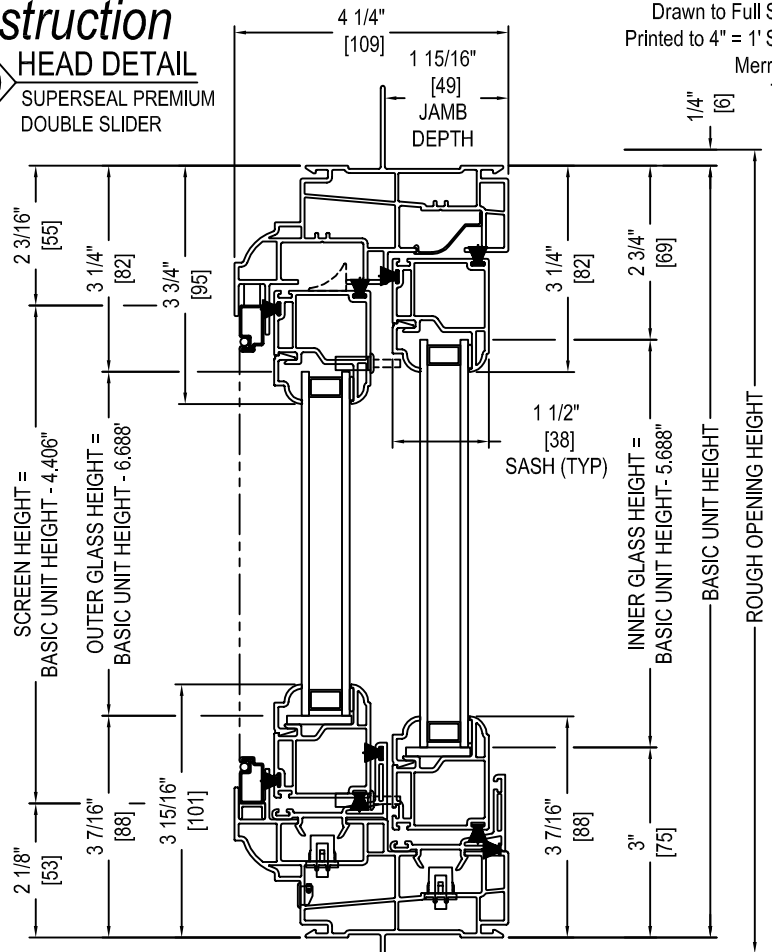
OUTER GLASS WIDTH = (BASIC UNIT WIDTH / 2) - 4.000"

OUTER SASH WIDTH = (BASIC UNIT WIDTH / 2) - 1.438" o
OUTER GLASS WIDTH + 2.562"

SCREEN WIDTH = BASIC UNIT WIDTH - 4.812"

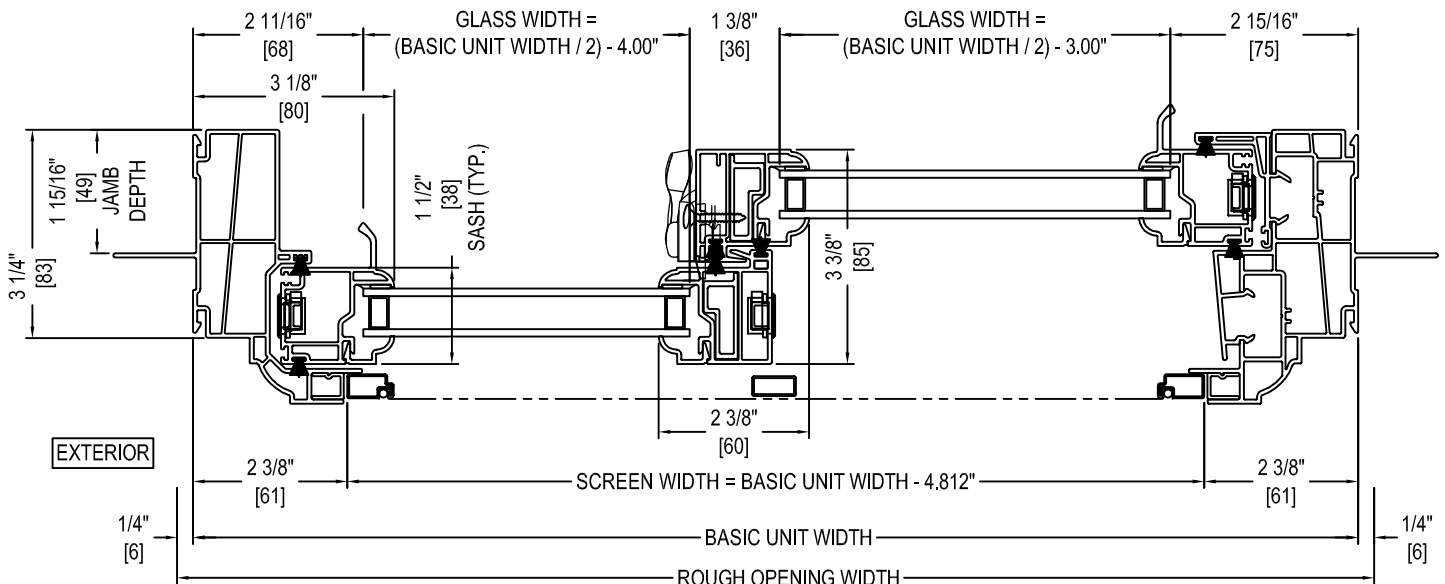
New Construction

HEAD DETAIL SUPERSEAL PREMIUM DOUBLE SLIDER



Drawn to Full Scale
Printed to 4" = 1' Scale
Merrill Wi
7900

SILL DETAIL SUPERSEAL PREMIUM DOUBLE SLIDER



JAMB DETAIL SUPERSEAL PREMIUM DOUBLE SLIDER Left Semi-Active / Right Active

SIZING HEIGHT FORMULAS

BASIC UNIT HEIGHT = (INNER GLASS HEIGHT + 5.688" or
OUTER GLASS HEIGHT + 6.688"

INNER GLASS HEIGHT = (BASIC UNIT HEIGHT - 5.688")

INNER SASH HEIGHT = (BASIC UNIT HEIGHT - 3.141" or
INNER GLASS HEIGHT + 2.547"

OUTER GLASS HEIGHT = BASIC UNIT HEIGHT - 6.688")

OUTER SASH HEIGHT = BASIC UNIT HEIGHT - 4.141" or
OUTER GLASS HEIGHT + 2.547"

SCREEN HEIGHT = BASIC UNIT HEIGHT - 4.406"

SIZING WIDTH FORMULAS

BASIC UNIT WIDTH = (GLASS WIDTH + GLASS WIDTH) + 7.000"

INNER GLASS WIDTH = (BASIC UNIT WIDTH / 2) - 3.000"

INNER SASH WIDTH = (BASIC UNIT WIDTH / 2) - .438" or
INNER GLASS WIDTH + 2.562"

OUTER GLASS WIDTH = (BASIC UNIT WIDTH / 2) - 4.000"

OUTER SASH WIDTH = (BASIC UNIT WIDTH / 2) - 1.438" o
OUTER GLASS WIDTH + 2.562"

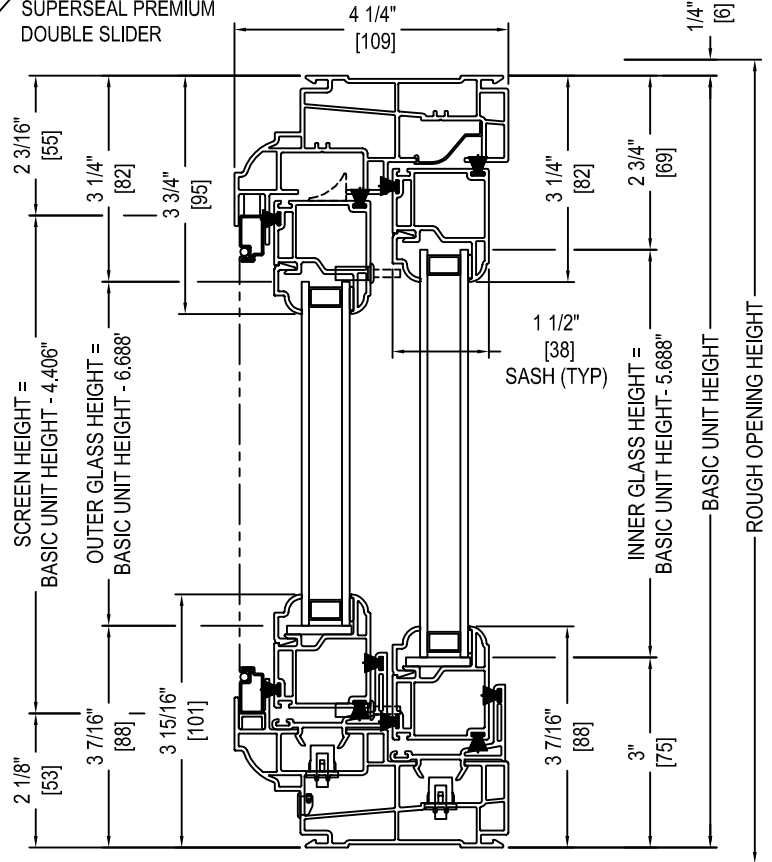
SCREEN WIDTH = BASIC UNIT WIDTH - 4.812"

Replacement



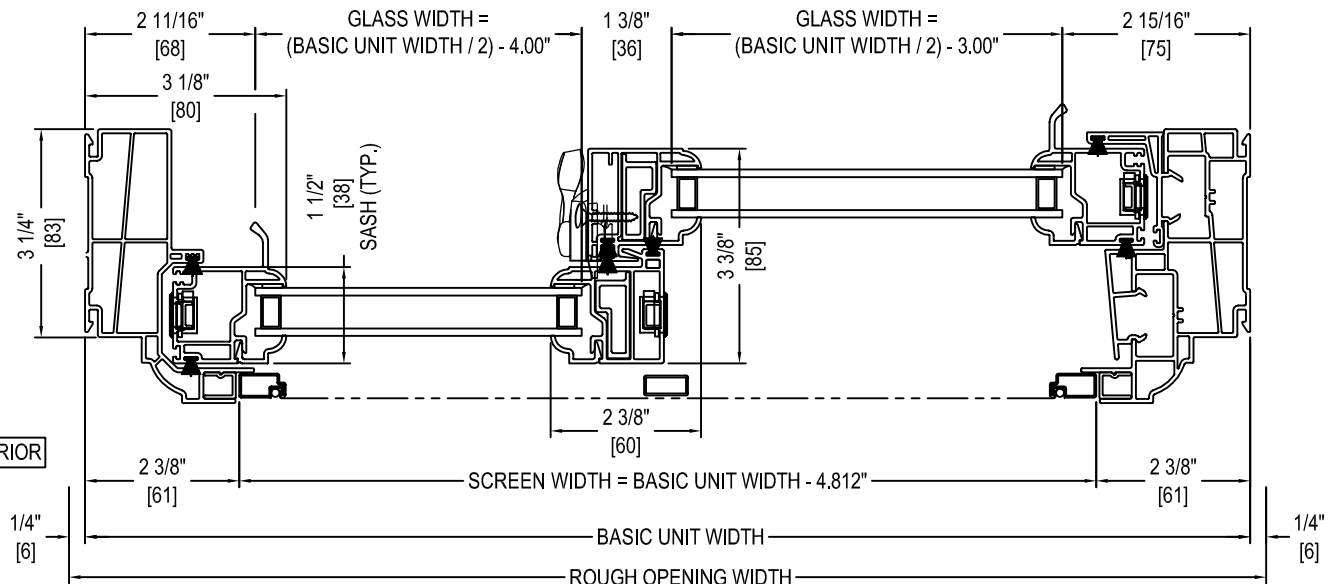
HEAD DETAIL

SUPERSEAL PREMIUM
DOUBLE SLIDER



SILL DETAIL

SUPERSEAL PREMIUM
DOUBLE SLIDER



JAMB DETAIL

SUPERSEAL PREMIUM DOUBLE SLIDER
Left Semi-Active / Right Active

Drawn to Full Scale
Printed to 4" = 1' Scale
Merrill Wi
7900