

**SIZING WIDTH FORMULAS**

BASIC UNIT WIDTH = GLASS + 3.688"  
 GLASS WIDTH = BASIC UNIT WIDTH - 3.688"

SASH WIDTH = BASIC UNIT WIDTH - 2.156"

SCREEN WIDTH = SASH GLASS WIDTH + 0.188"

**SIZING HEIGHT FORMULAS**

BASIC UNIT HEIGHT = GLASS X 2 (+ 2.688")  
 GLASS HEIGHT = BASIC UNIT HEIGHT / 2 (- 2.688")

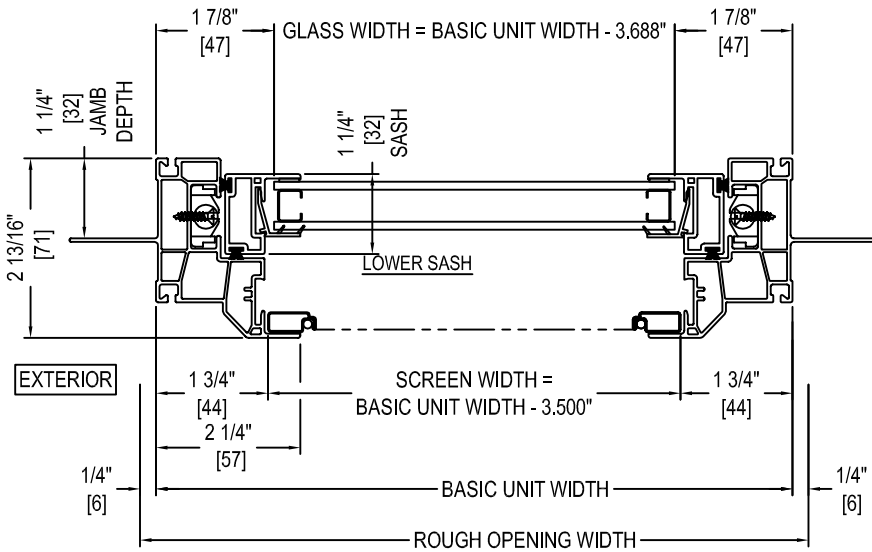
SASH HEIGHT = GLASS HEIGHT + 1.53125" OR  
 BASIC UNIT HEIGHT / 2 - 1.156"

SCREEN HEIGHT = SASH GLASS HEIGHT + 0.500"

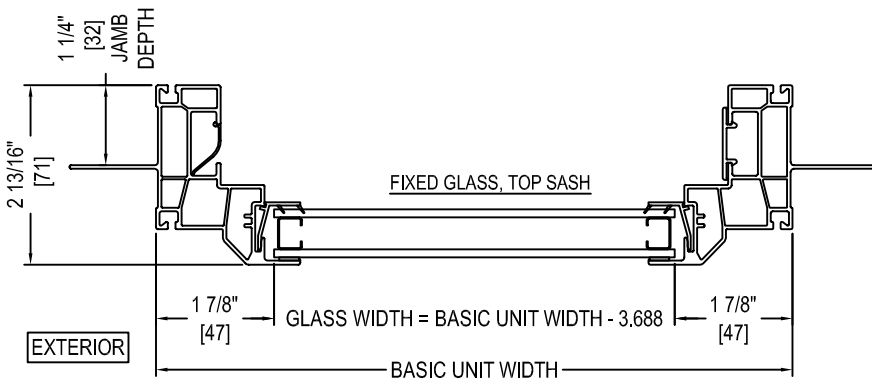
### New Construction

Drawn to Full Scale  
 Printed to 4" = 1' Scale  
 Merrill Wi  
 1250

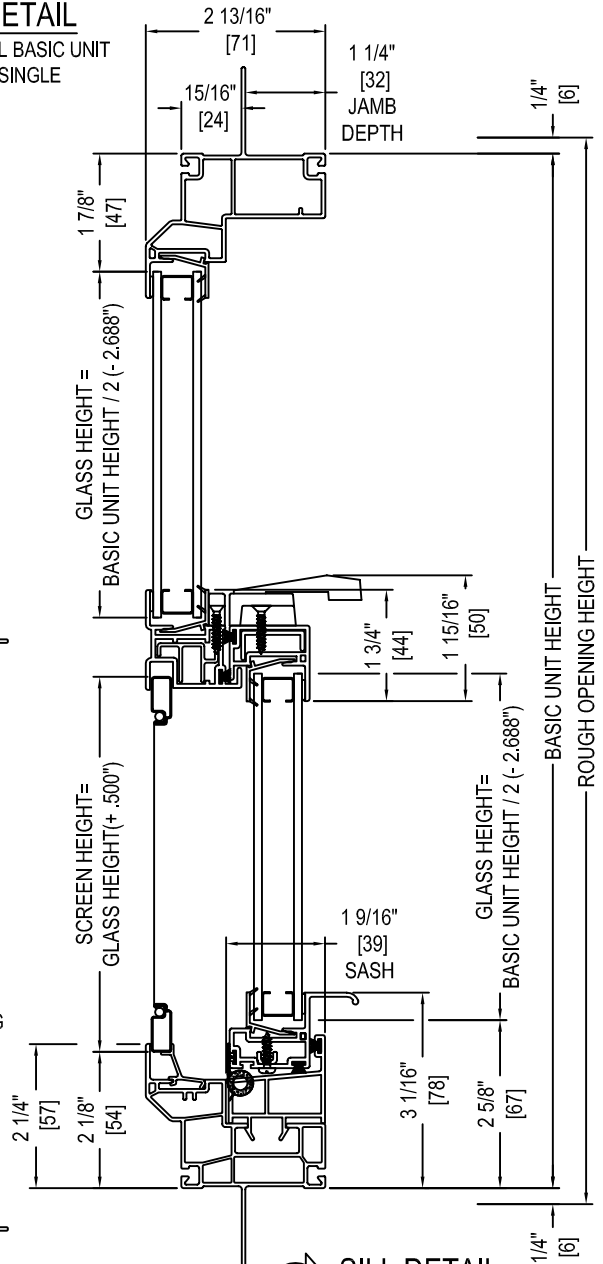
**HEAD DETAIL**  
 SUPERSEAL BASIC UNIT  
 BUILDERS' SINGLE  
 HUNG



**JAMB DETAIL, LOWER SASH**  
 SUPERSEAL BASIC UNIT BUILDERS' SINGLE HUNG



**JAMB DETAIL, FIXED GLASS, TOP SASH**  
 SUPERSEAL BASIC UNIT BUILDERS' SINGLE HUNG



**SILL DETAIL**  
 SUPERSEAL BASIC UNIT  
 BUILDERS' SINGLE HUNG

**SIZING WIDTH FORMULAS**

BASIC UNIT WIDTH = GLASS + 3.688"

GLASS WIDTH = BASIC UNIT WIDTH - 3.688"

SASH WIDTH = BASIC UNIT WIDTH - 2.156"

SCREEN WIDTH = SASH GLASS WIDTH + 0.188"

**SIZING HEIGHT FORMULAS**

BASIC UNIT HEIGHT = GLASS X 2 (+ 2.688")

GLASS HEIGHT = BASIC UNIT HEIGHT / 2 (- 2.688")

SASH HEIGHT = GLASS HEIGHT + 1.53125" OR

BASIC UNIT HEIGHT / 2 - 1.156"

SCREEN HEIGHT = SASH GLASS HEIGHT + 0.500"

### Replacement

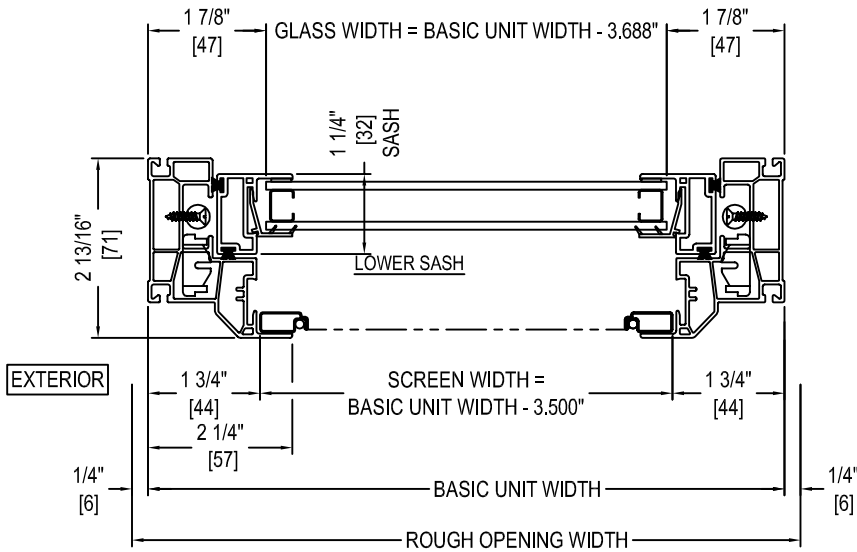
Drawn to Full Scale

Printed to 4" = 1" Scale

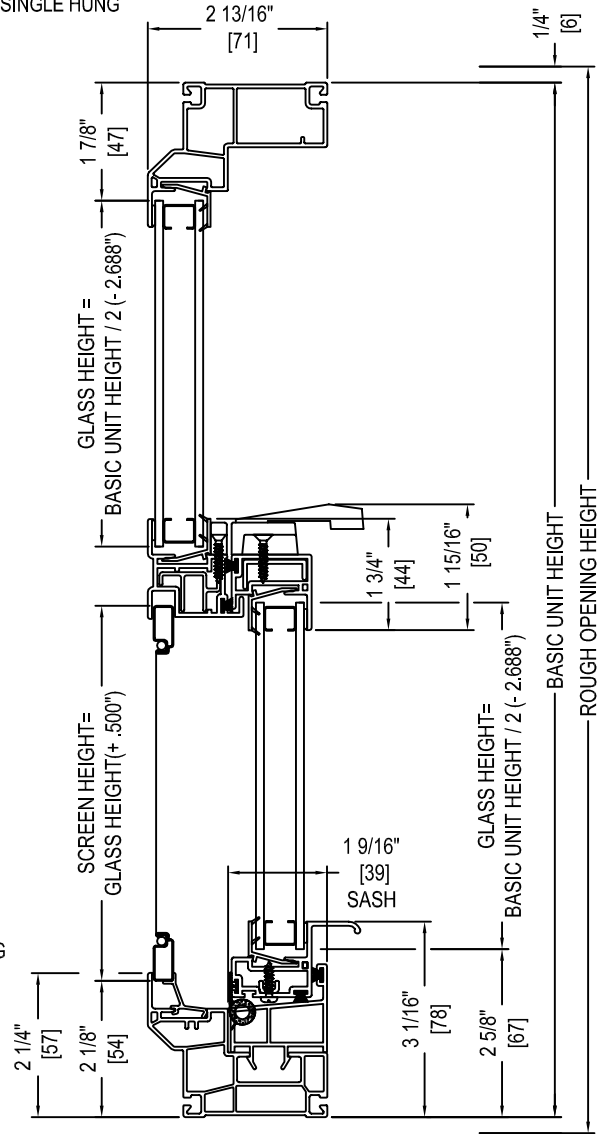
Merrill Wi

1200

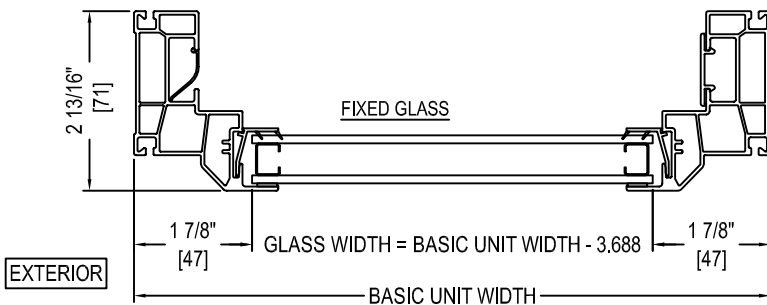
**HEAD DETAIL**  
SUPERSEAL BASIC UNIT  
BUILDERS' SINGLE HUNG



**JAMB DETAIL, LOWER SASH**  
SUPERSEAL BASIC UNIT BUILDERS' SINGLE HUNG



**SILL DETAIL**  
SUPERSEAL BASIC UNIT  
BUILDERS' SINGLE HUNG



**JAMB DETAIL, FIXED GLASS, TOP SASH**  
SUPERSEAL BASIC UNIT BUILDERS' SINGLE HUNG