

### SIZING WIDTH FORMULAS

BASIC UNIT WIDTH = GLASS + 3.688"  
GLASS WIDTH = BASIC UNIT WIDTH - 3.688"

SASH WIDTH = BASIC UNIT WIDTH - 3.500"

### SIZING HEIGHT FORMULAS

BASIC UNIT HEIGHT = GLASS X 2 (+ 2.688")  
GLASS HEIGHT = BASIC UNIT HEIGHT / 2 (- 2.688")

SASH HEIGHT = GLASS HEIGHT + 1.53125" OR  
BASIC UNIT HEIGHT / 2 - 1.156"

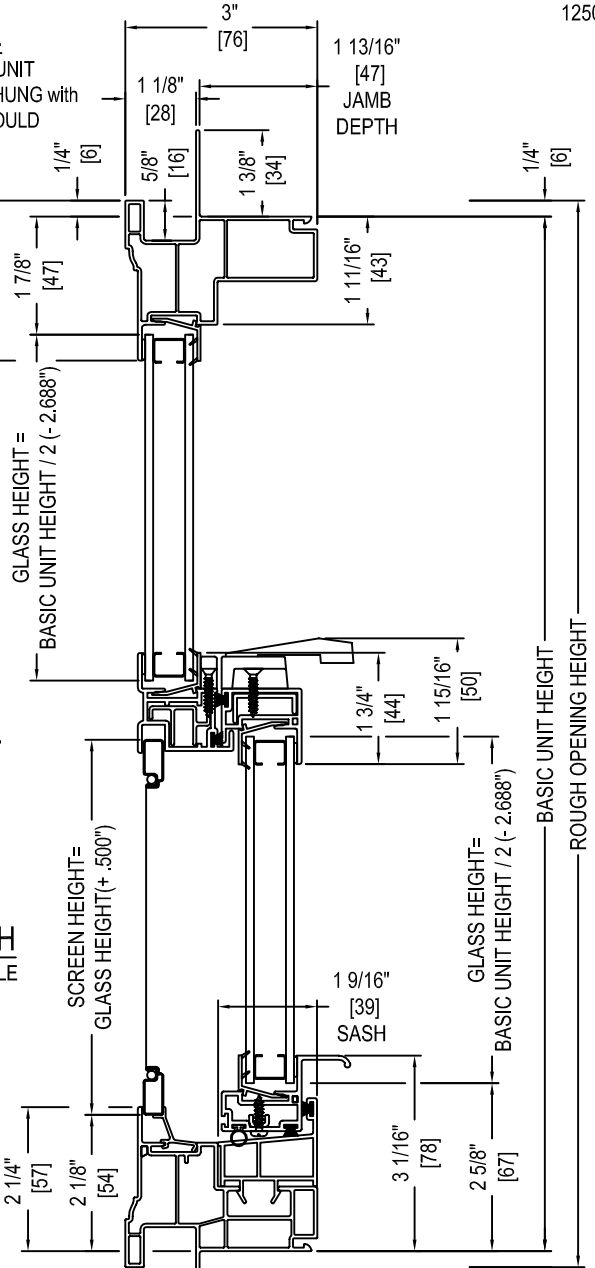
SCREEN HEIGHT = SASH GLASS HEIGHT + 0.500"

## New Construction

Drawn to Full Scale  
Printed to 4" = 1' Scale  
Merrill Wi  
1250

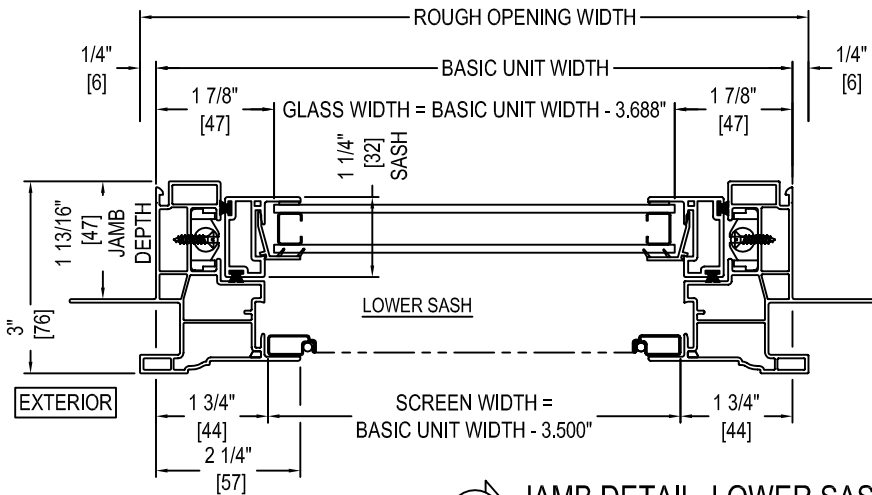
### HEAD DETAIL

SUPERSEAL BASIC UNIT  
BUILDERS' SINGLE HUNG with  
INTEGRAL BRICK MOULD



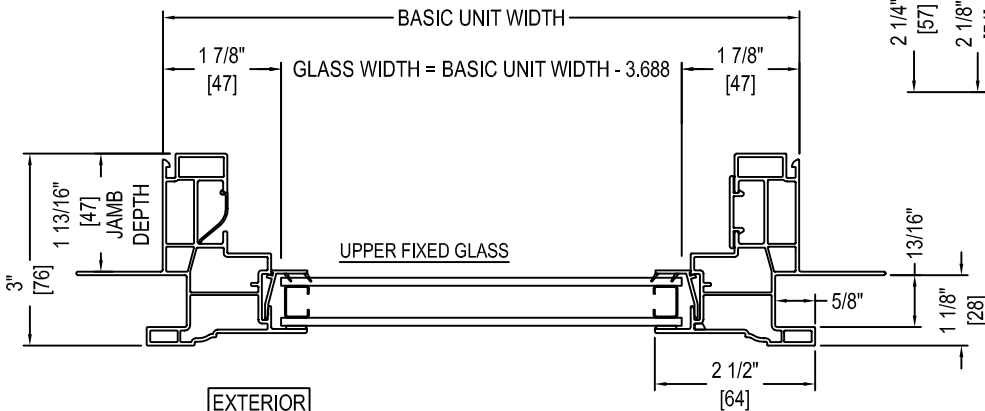
### JAMB DETAIL, LOWER SASH

SUPERSEAL BASIC UNIT BUILDERS' SINGLE HUNG with INTEGRAL BRICK MOULD



### SILL DETAIL

SUPERSEAL BASIC UNIT BUILDERS' SINGLE HUNG with INTEGRAL BRICK MOULD



### JAMB DETAIL, FIXED GLASS

SUPERSEAL BASIC UNIT BUILDERS' SINGLE HUNG with INTEGRAL BRICK MOULD

**SIZING WIDTH FORMULAS**

BASIC UNIT WIDTH = GLASS + 3.688"  
GLASS WIDTH = BASIC UNIT WIDTH - 3.688"

SASH WIDTH = BASIC UNIT WIDTH - 3.500"

**SIZING HEIGHT FORMULAS**

BASIC UNIT HEIGHT = GLASS X 2 (+ 2.688")  
GLASS HEIGHT = BASIC UNIT HEIGHT / 2 (- 2.688")

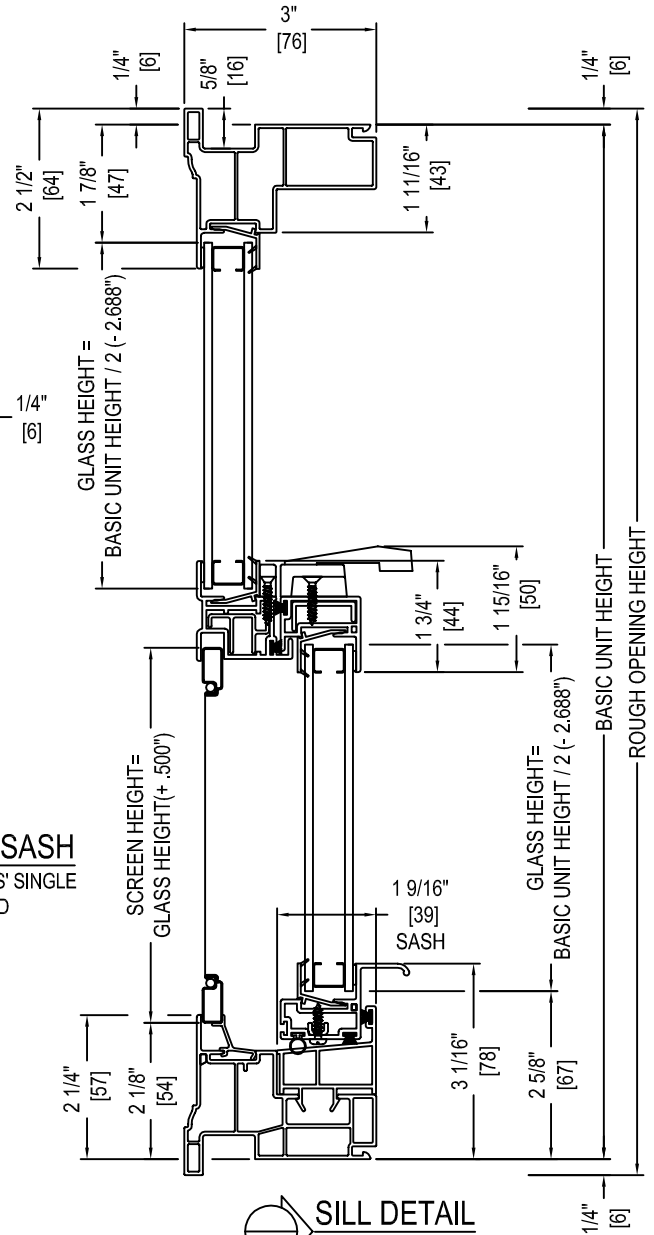
SASH HEIGHT = GLASS HEIGHT + 1.53125" OR  
BASIC UNIT HEIGHT / 2 - 1.156"

SCREEN HEIGHT = SASH GLASS HEIGHT + 0.500"

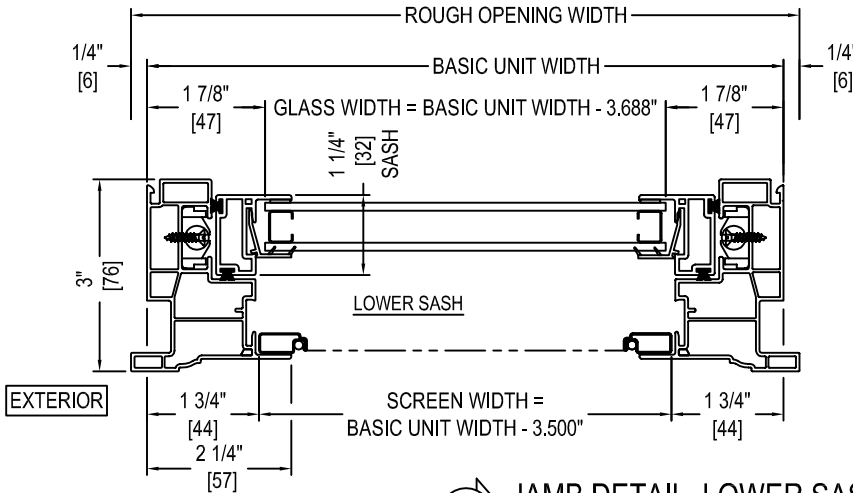
**Replacement**

Drawn to Full Scale  
Printed to 4" = 1" Scale  
Merrill Wi  
1200

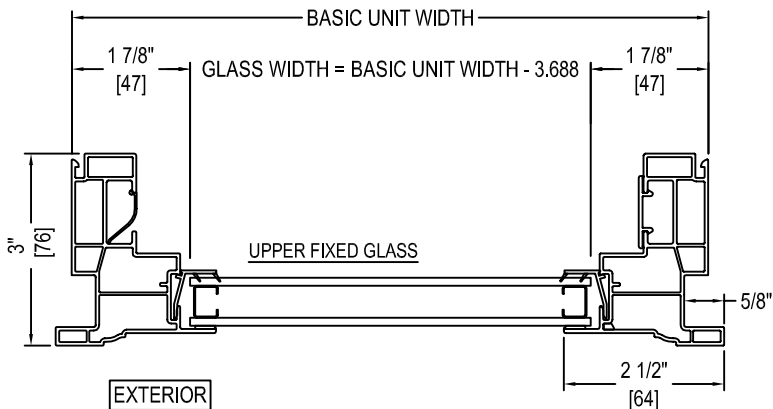
**HEAD DETAIL**  
SUPERSEAL BASIC UNIT  
BUILDERS' SINGLE HUNG with  
INTEGRAL BRICK MOULD



**SILL DETAIL**  
SUPERSEAL BASIC UNIT  
BUILDERS' SINGLE HUNG  
with INTEGRAL BRICK MOULD



**JAMB DETAIL, LOWER SASH**  
SUPERSEAL BASIC UNIT BUILDERS' SINGLE  
HUNG with INTEGRAL BRICK MOULD



**JAMB DETAIL, FIXED GLASS**  
SUPERSEAL BASIC UNIT BUILDERS' SINGLE  
HUNG with INTEGRAL BRICK MOULD