

New Construction

SIZING HEIGHT FORMULAS

BASIC UNIT HEIGHT = (GLASS + GLASS) + 6.188"

INNER GLASS = (BASIC UNIT / 2) - 2.594"

INNER SASH = (BASIC UNIT / 2) - .062" or INNER GLASS + 2.531"

OUTER GLASS = (BASIC UNIT / 2) - 3.594"

OUTER SASH = (BASIC UNIT / 2) - 1.062" or OUTER GLASS + 2.547"

SCREEN - BASIC UNIT HEIGHT - 2.625"

SIZING WIDTH FORMULAS

BASIC UNIT WIDTH = INNER GLASS WIDTH + 5.438"

BASIC UNIT WIDTH = OUTER GLASS WIDTH + 6.438"

INNER SASH = BASIC UNIT WIDTH - 2.875" or INNER GLASS + 2.562"

INNER GLASS WIDTH = BASIC UNIT WIDTH - 5.438"

OUTER SASH = BASIC UNIT WIDTH - 3.875" or OUTER GLASS WIDTH + 2.562"

OUTER GLASS WIDTH = (BASIC UNIT WIDTH - 6.438")

SCREEN = SASH GLASS WIDTH + 0.688"

SCREEN = BASIC UNIT WIDTH - 4.812"

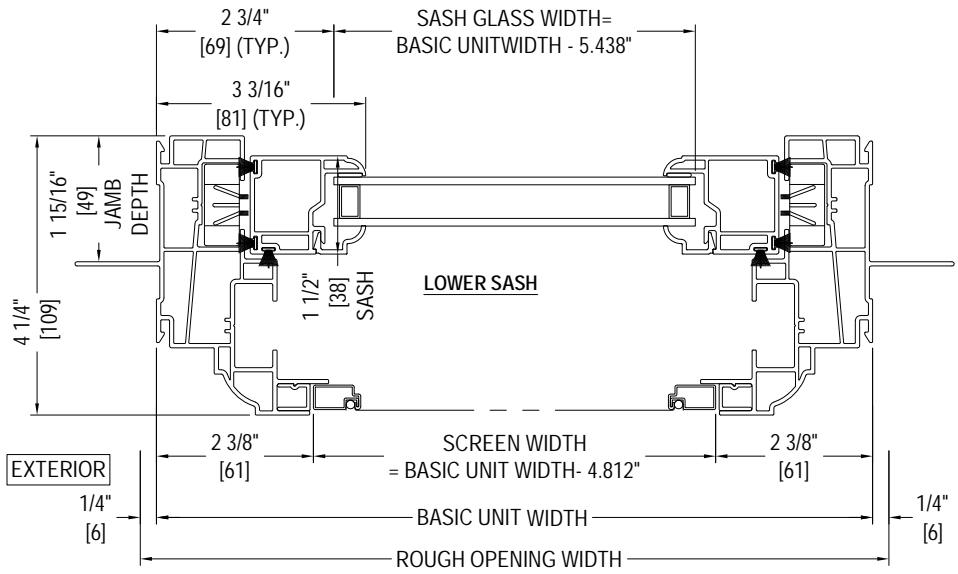
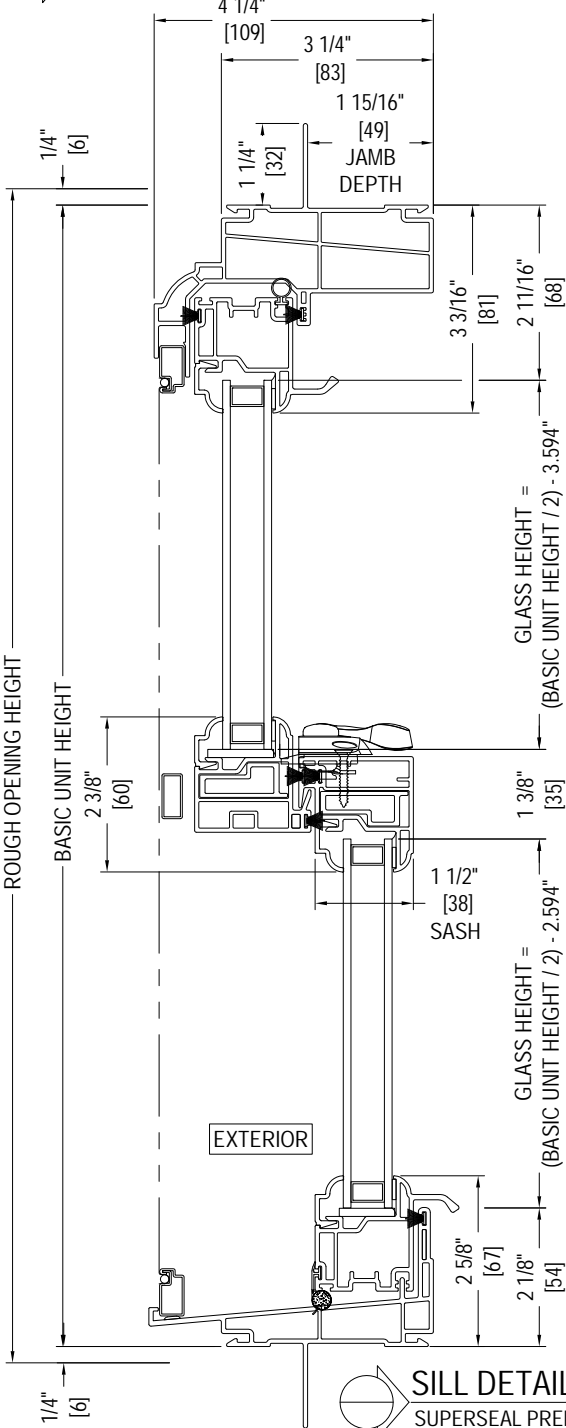
Drawn to Full Scale

Printed to 4" = 1" Scale

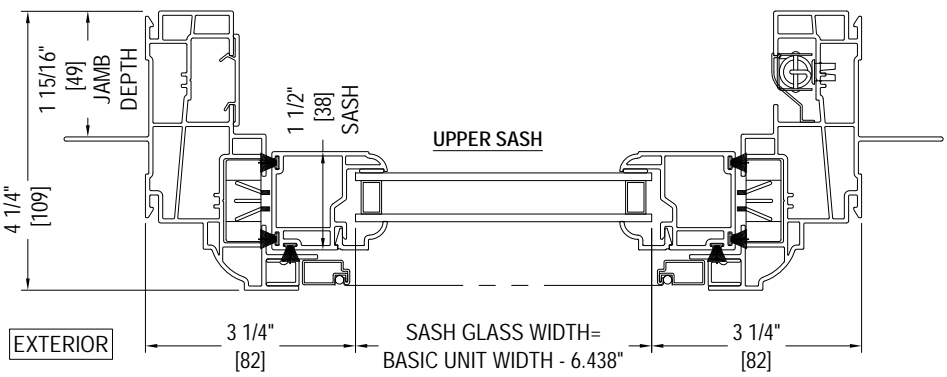
Merrill Wi

7900

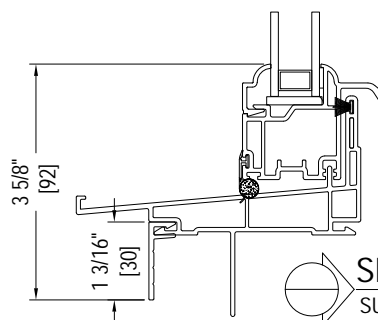
HEAD DETAIL SUPERSEAL PREMIUM DOUBLE HUNG



JAMB DETAIL, LOWER SASH SUPERSEAL PREMIUM DOUBLE HUNG



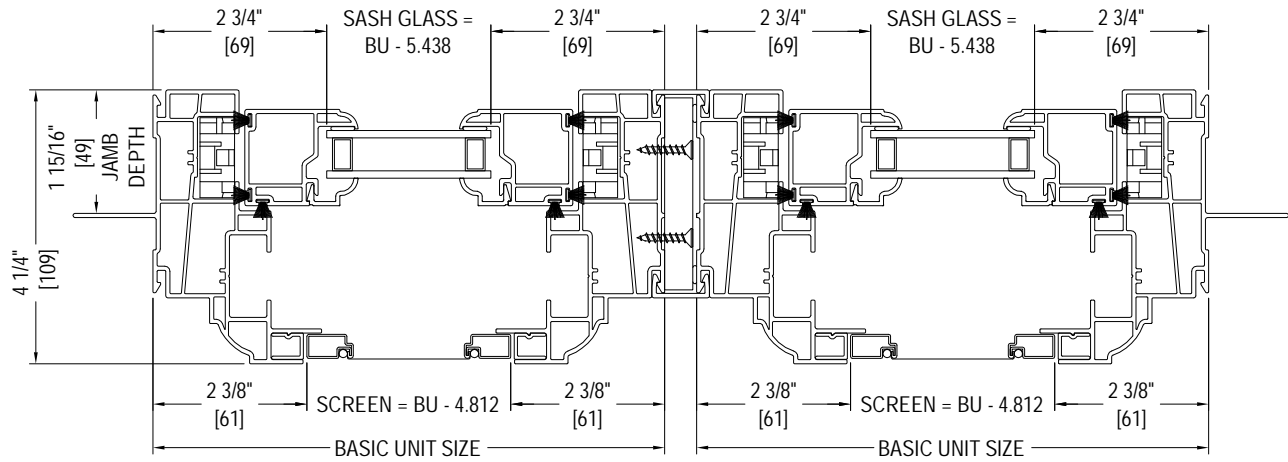
JAMB DETAIL UPPER SASH SUPERSEAL PREMIUM DOUBLE HUNG



SILL DETAIL SUPERSEAL PREMIUM DOUBLE HUNG, WITH SILL EXTENDER

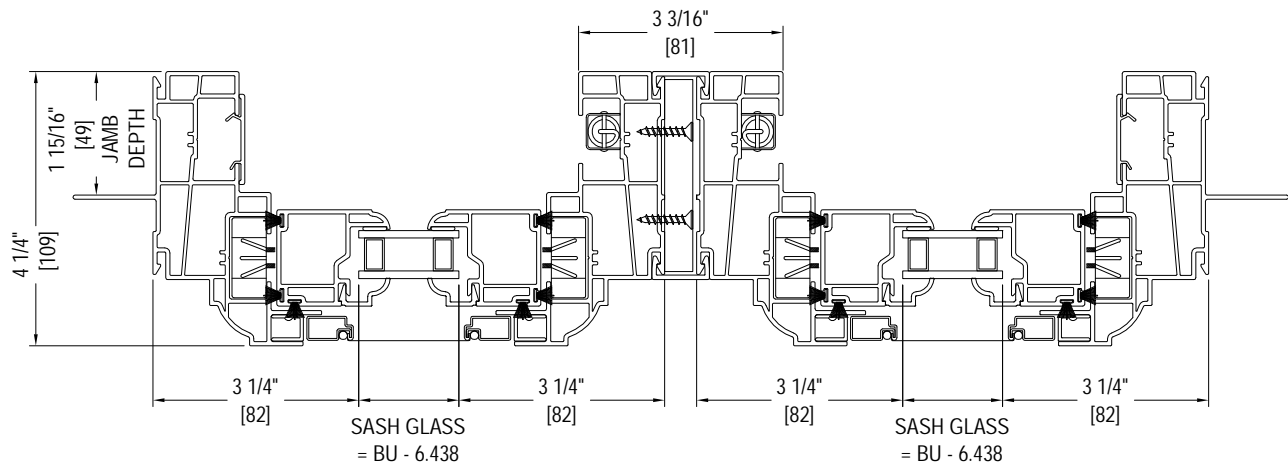
New Construction

Drawn to Full Scale
Printed to 4" = 1" Scale
Merrill Wi
7900



 **MEETING RAIL DETAIL**
SUPERSEAL PREMIUM DOUBLE HUNG /
DOUBLE HUNG

 **JAMB DETAIL, LOWER SASH**
SUPERSEAL PREMIUM DOUBLE HUNG



 **MEETING RAIL DETAIL**
SUPERSEAL PREMIUM DOUBLE HUNG /
DOUBLE HUNG

 **JAMB DETAIL UPPER SASH**
SUPERSEAL PREMIUM DOUBLE HUNG

Replacement

SIZING HEIGHT FORMULAS

BASIC UNIT HEIGHT = (GLASS + GLASS) + 6.188"

INNER GLASS = (BASIC UNIT / 2) - 2.594"

INNER SASH = (BASIC UNIT / 2) - .062" or INNER GLASS + 2.531"

OUTER GLASS = (BASIC UNIT / 2) - 3.594"

OUTER SASH = (BASIC UNIT / 2) - 1.062" or OUTER GLASS + 2.547"

SCREEN - BASIC UNIT HEIGHT - 2.625"

SIZING WIDTH FORMULAS

BASIC UNIT WIDTH = INNER GLASS WIDTH + 5.438"

BASIC UNIT WIDTH = OUTER GLASS WIDTH + 6.438"

INNER SASH = BASIC UNIT WIDTH - 2.875" or INNER GLASS + 2.562"

INNER GLASS WIDTH = BASIC UNIT WIDTH - 5.438"

OUTER SASH = BASIC UNIT WIDTH - 3.875" or OUTER GLASS WIDTH + 2.562"

OUTER GLASS WIDTH = (BASIC UNIT WIDTH - 6.438")

SCREEN = SASH GLASS WIDTH + 0.688"

SCREEN = BASIC UNIT WIDTH - 4.812"

Drawn to Full Scale

Printed to 4" = 1" Scale

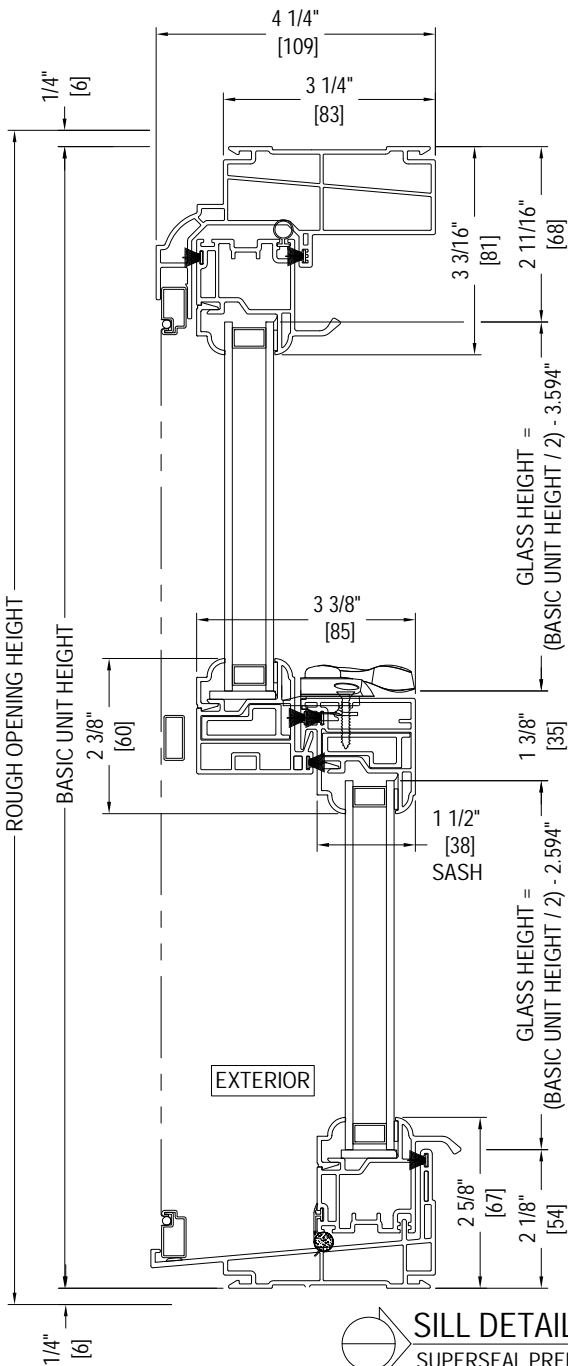
Merrill Wi

7900



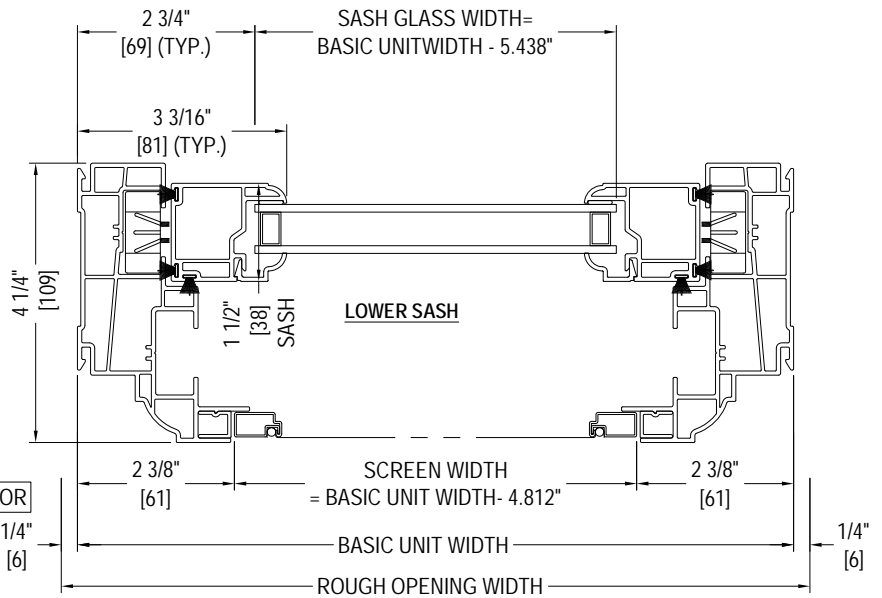
HEAD DETAIL

SUPERSEAL PREMIUM DOUBLE HUNG



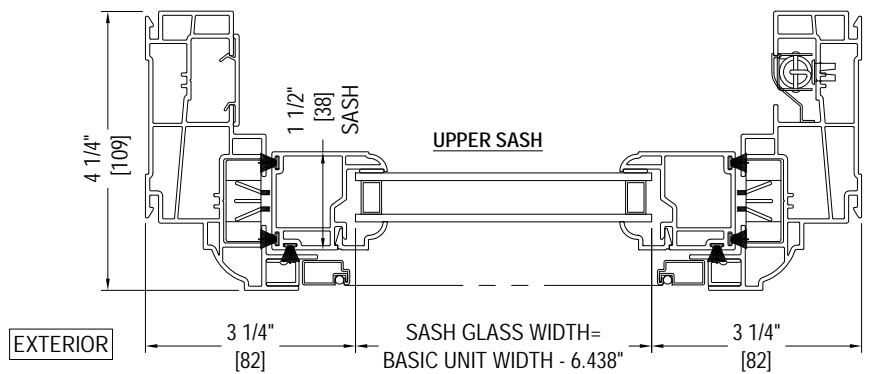
SILL DETAIL

SUPERSEAL PREMIUM DOUBLE HUNG



JAMB DETAIL, LOWER SASH

SUPERSEAL PREMIUM DOUBLE HUNG

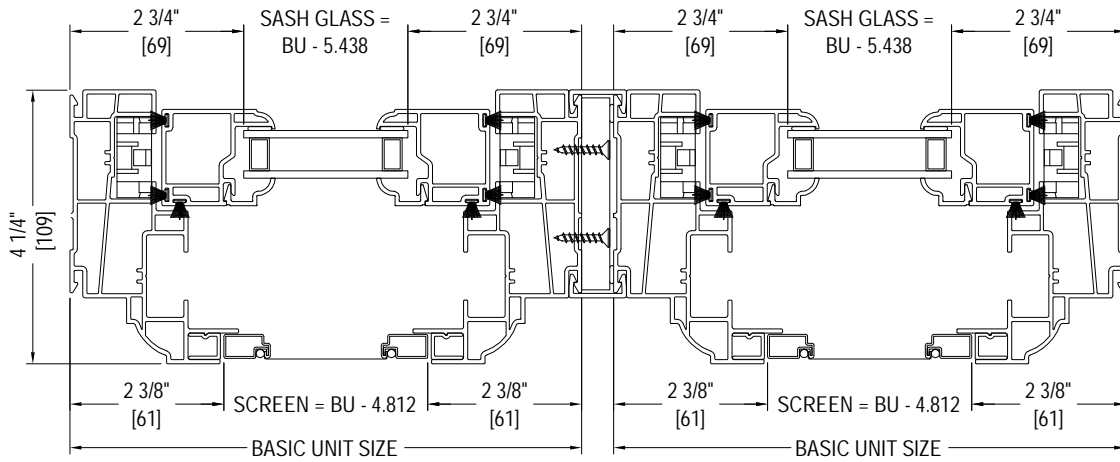


JAMB DETAIL UPPER SASH

SUPERSEAL PREMIUM DOUBLE HUNG

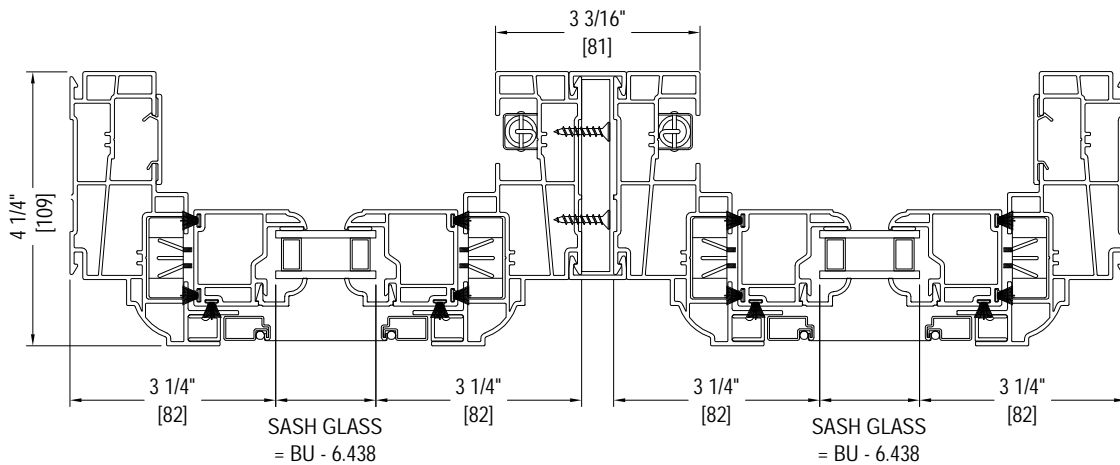
Replacement

Drawn to Full Scale
Printed to 4" = 1" Scale
Merrill Wi
7900



 MEETING RAIL DETAIL
SUPERSEAL PREMIUM DOUBLE HUNG /
DOUBLE HUNG

 JAMB DETAIL, LOWER SASH
SUPERSEAL PREMIUM DOUBLE HUNG



 MEETING RAIL DETAIL
SUPERSEAL PREMIUM DOUBLE HUNG /
DOUBLE HUNG

 JAMB DETAIL UPPER SASH
SUPERSEAL PREMIUM DOUBLE HUNG