

SUPERSEAL® 850 Sliding Patio Door

Windows & Doors

Head & Sill Details

Page 1 of 3

SIZING HEIGHT FORMULAS

BASIC UNIT HEIGHT = GLASS + 5.750"

GLASS HEIGHT = BASIC UNIT - 5.750"

SASH HEIGHT = GLASS + 3.875" OR

BASIC UNIT HEIGHT - 0.938"

SCREEN HEIGHT = GLASS HEIGHT + 3.782"

New Construction

Drawn to Full Scale

Printed to 4" = 1' Scale

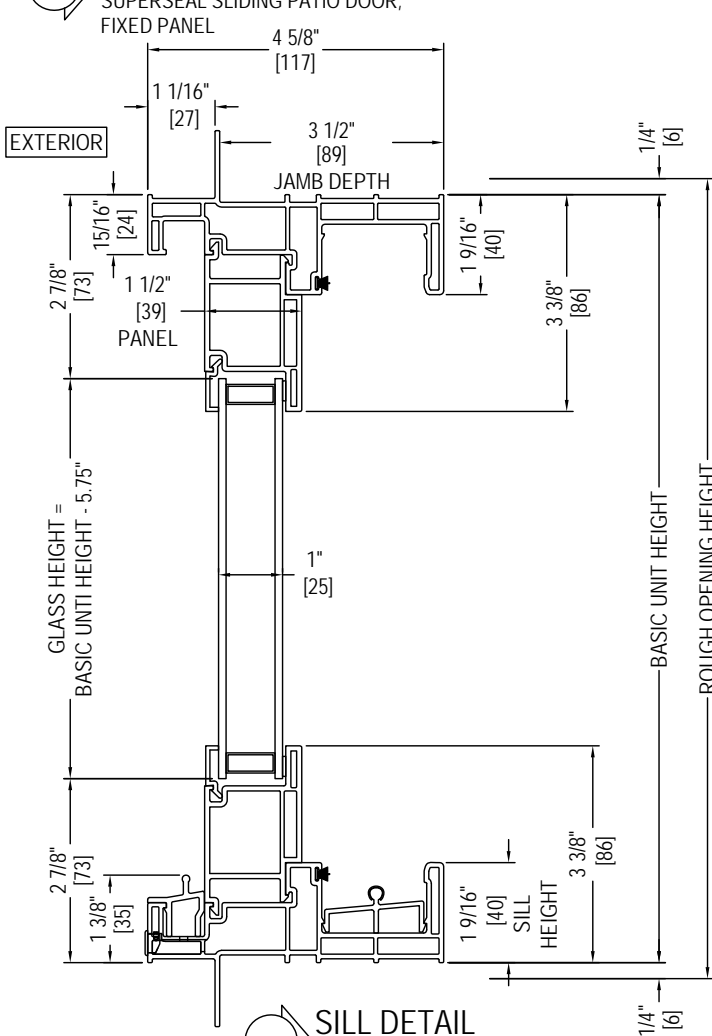
Merrill Wi

850



HEAD DETAIL

SUPERSEAL SLIDING PATIO DOOR,
FIXED PANEL



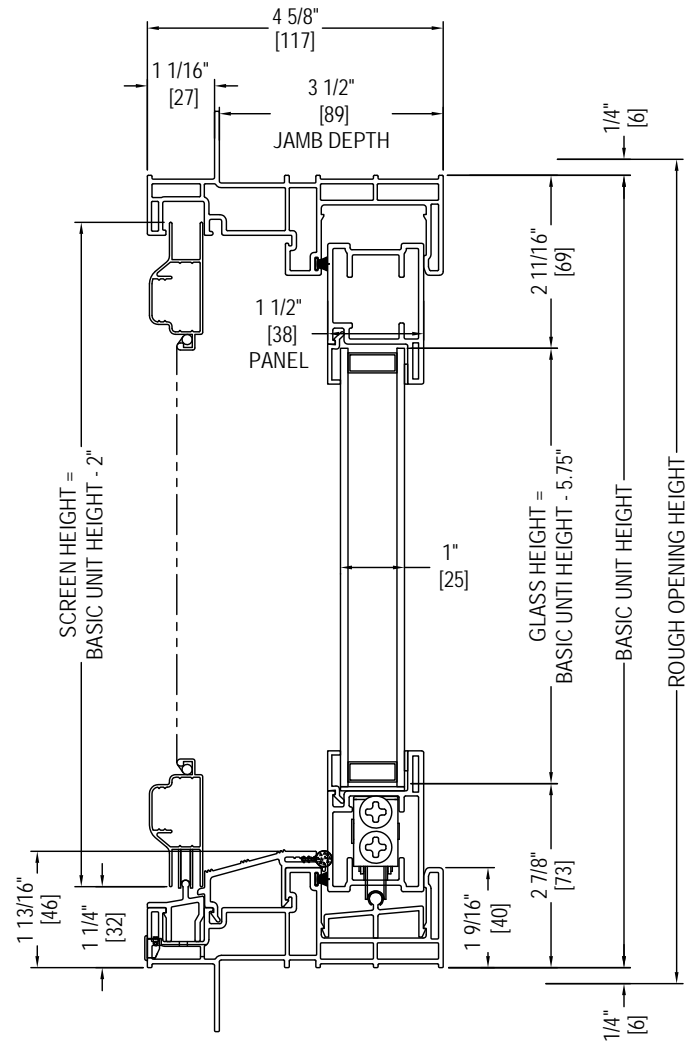
SILL DETAIL

SUPERSEAL SLIDING PATIO DOOR,
FIXED PANEL



HEAD DETAIL

SUPERSEAL SLIDING PATIO DOOR,
OPERATING PANEL



SILL DETAIL

SUPERSEAL SLIDING PATIO DOOR,
OPERATING PANEL

SUPERSEAL® 850 Sliding Patio Door

Windows & Doors

Jamb Details
Page 2 of 3

SIZING WIDTH FORMULAS 2 - WIDE

BASIC UNIT WIDTH = GLASS WIDTH X 2 (+ 5.500") or
BASIC UNIT WIDTH / 2 + 0.844"

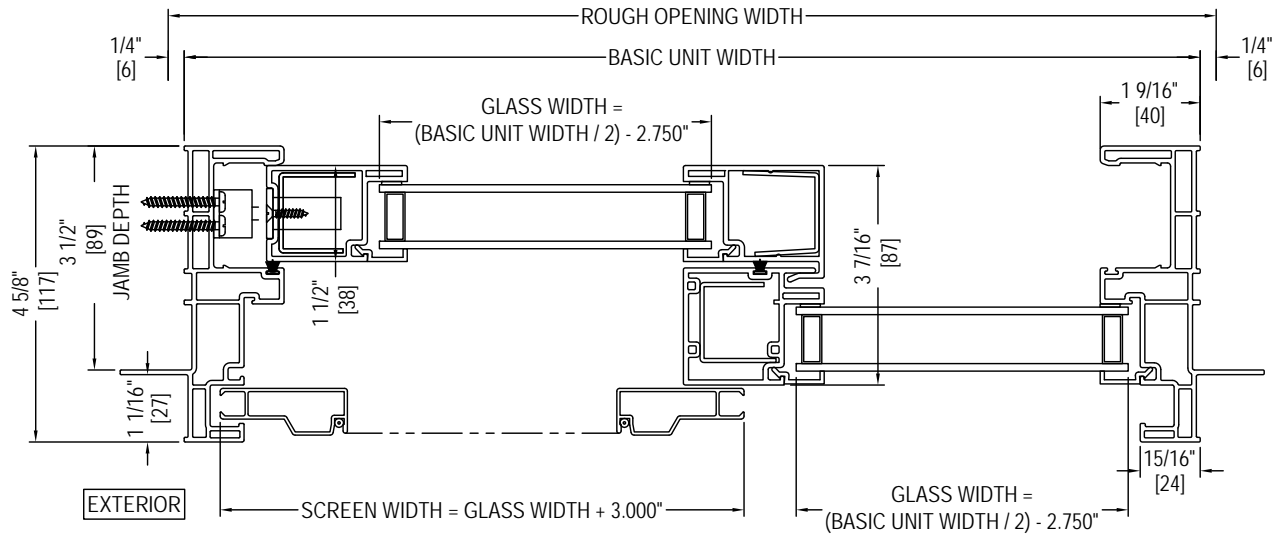
New Construction

Drawn to Full Scale
Printed to 4" = 1' Scale
Merrill Wi
850

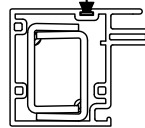
GLASS WIDTH = BASIC UNIT/2 (- 2.750")

SASH WIDTH = GLASS + 3.526" OR

SCREEN WIDTH = GLASS WIDTH + 3.000"



FRAME MULLION REINFORCEMENT FOR
DOOR SIZE = 6-4 x 6-8 and 6-4 x 6-10 DP40



JAMB DETAIL
SUPERSEAL SLIDING
PATIO DOOR,
OPERATING / FIXED

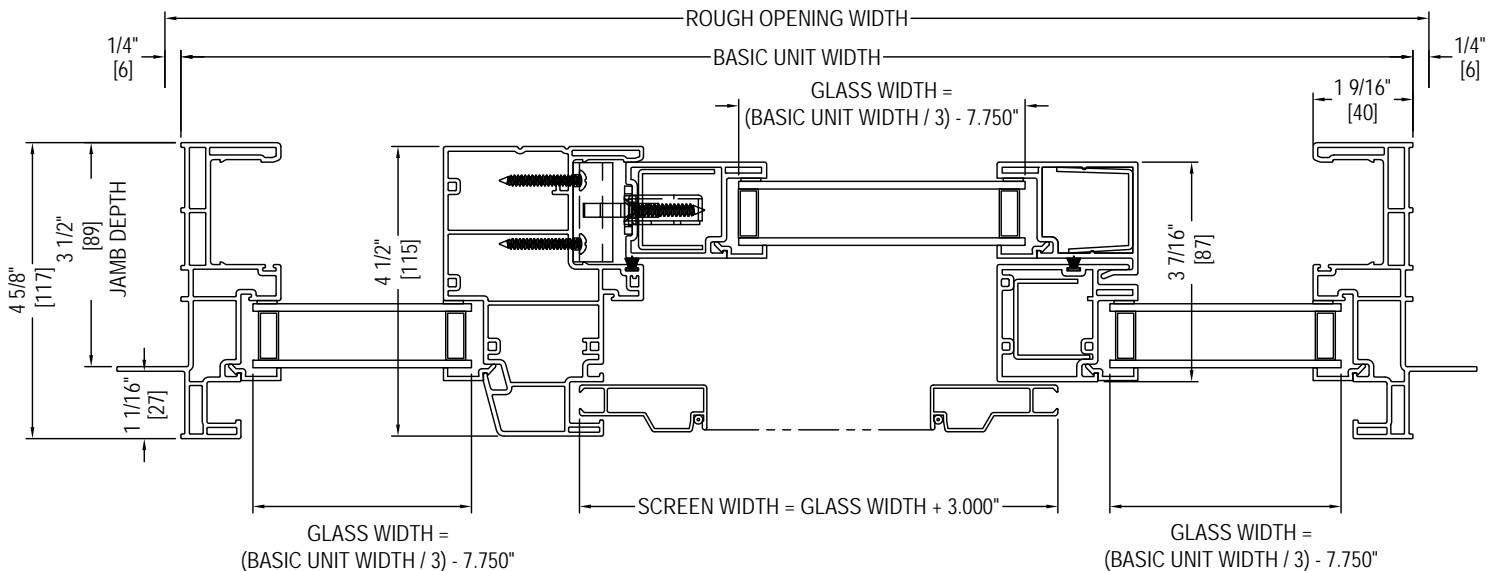
SIZING WIDTH FORMULAS 3 - WIDE

BASIC UNIT WIDTH = GLASS WIDTH X 3 (+ 7.750")

GLASS WIDTH = (BASIC UNIT - 7.750") / 3

SASH WIDTH = GLASS WIDTH + 3.526"

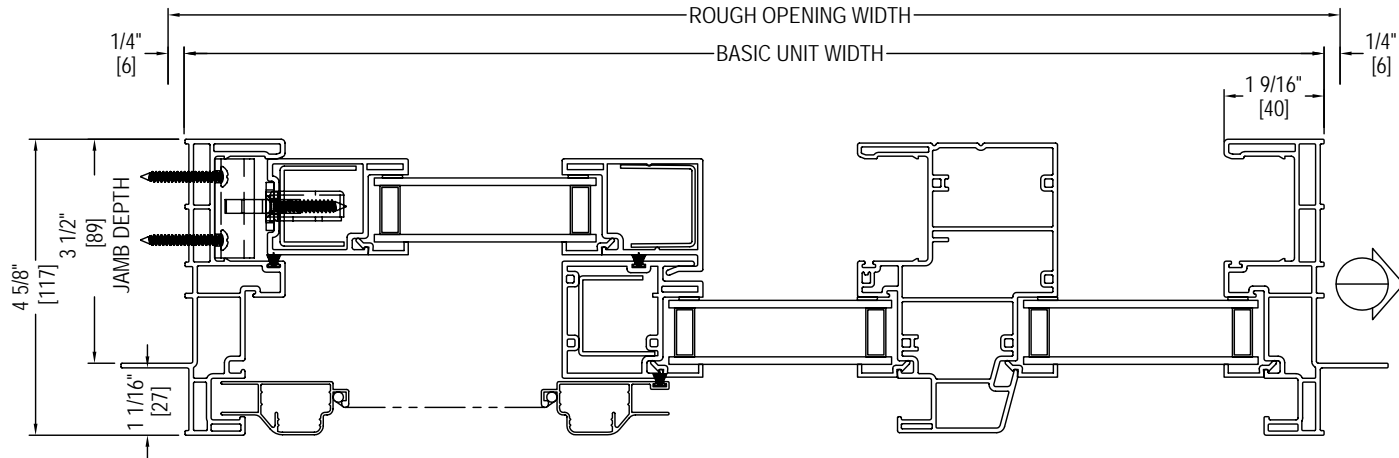
SCREEN WIDTH = GLASS WIDTH + 3.000"



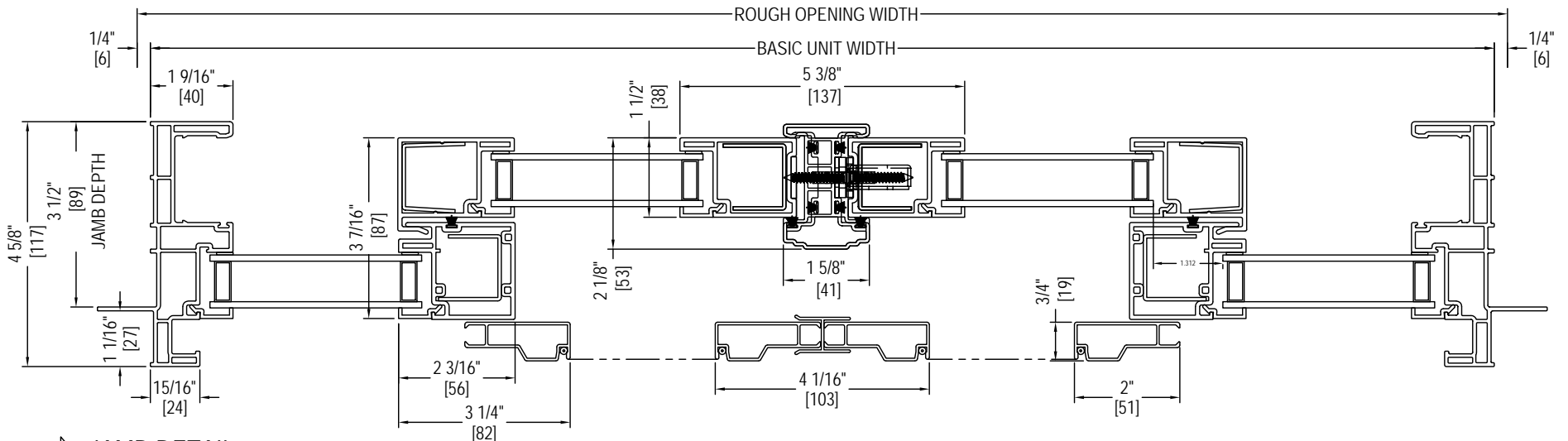
JAMB DETAIL
SUPERSEAL SLIDING PATIO DOOR,
FIXED / OPERATING / FIXED

New Construction

Drawn to Full Scale
Printed to 4" = 1' Scale
Merrill WI
850



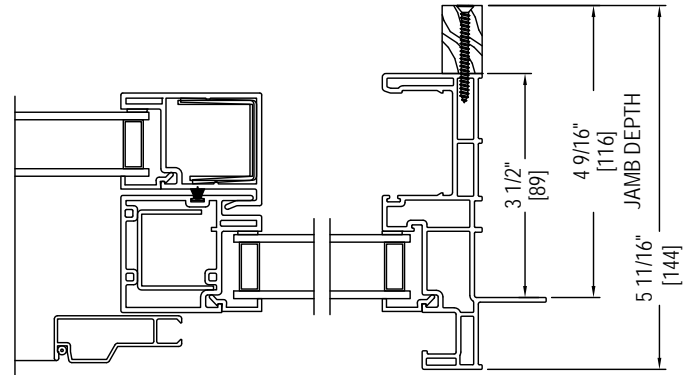
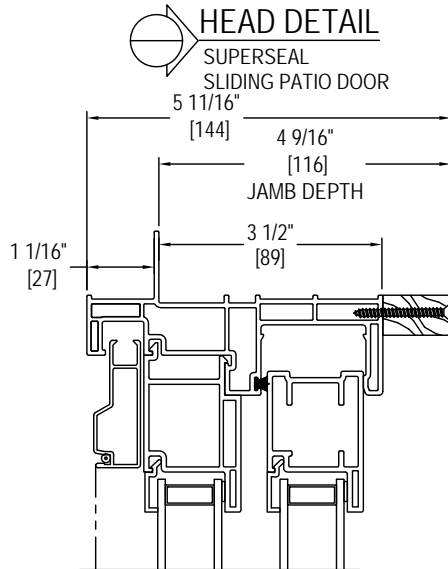
JAMB DETAIL
SUPERSEAL SLIDING PATIO DOOR,
OPERATING / FIXED / FIXED



JAMB DETAIL
SUPERSEAL SLIDING PATIO DOOR,
FIXED / OPERATING / OPERATING / FIXED

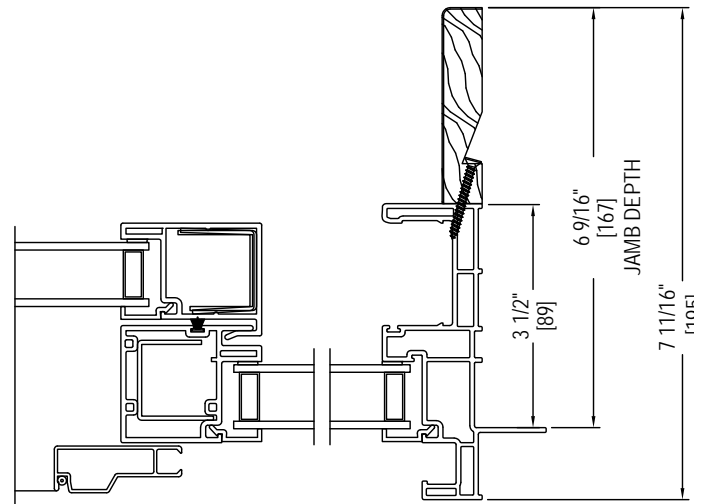
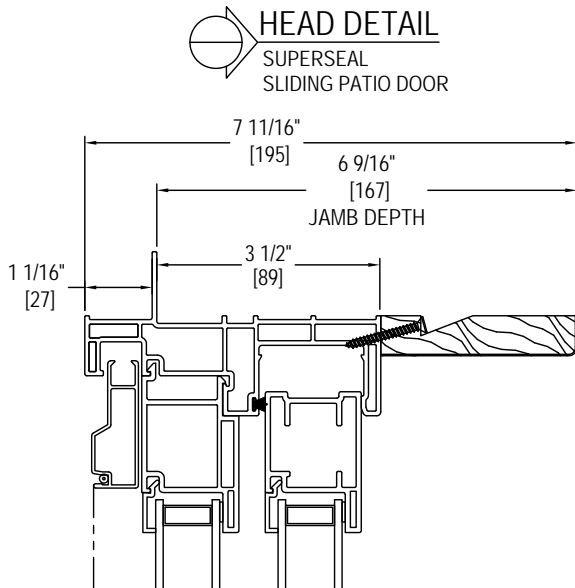
New Construction

4 9/16" Jamb Depth



JAMB DETAIL
SUPERSEAL
SLIDING PATIO DOOR

6 9/16" Jamb Depth

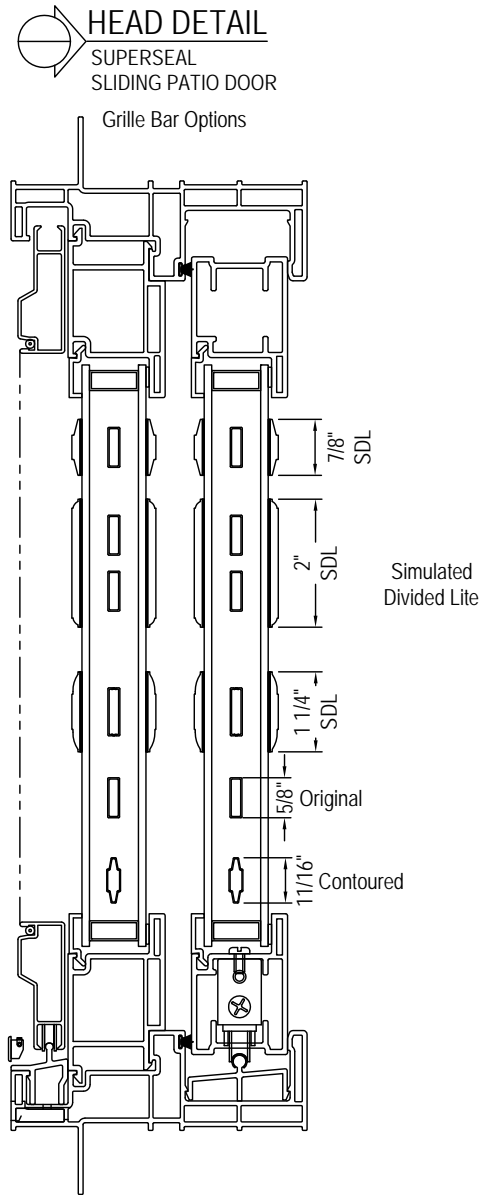
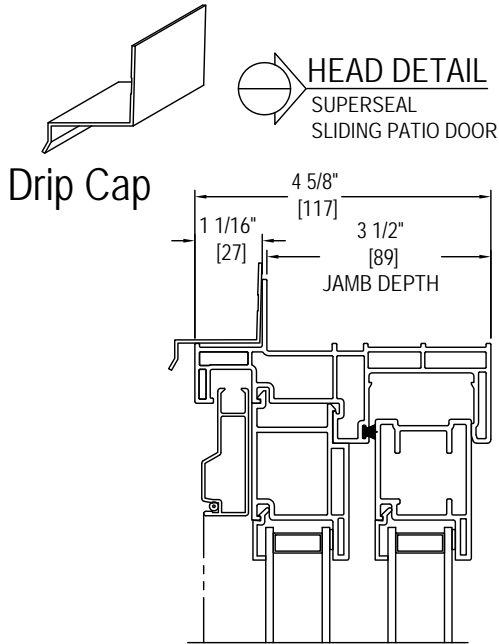


JAMB DETAIL
SUPERSEAL SLIDING PATIO DOOR

SUPERSEAL[®] 850 Sliding Patio Door

Windows & Doors

New Construction



SUPERSEAL® 850 Sliding Patio Door

Windows & Doors

Head & Sill Details

Page 1 of 3

SIZING HEIGHT FORMULAS

BASIC UNIT HEIGHT = GLASS + 5.750"

GLASS HEIGHT = BASIC UNIT - 5.750"

SASH HEIGHT = GLASS + 3.875" OR

BASIC UNIT HEIGHT - 0.938"

SCREEN HEIGHT = GLASS HEIGHT + 3.782"

Replacement

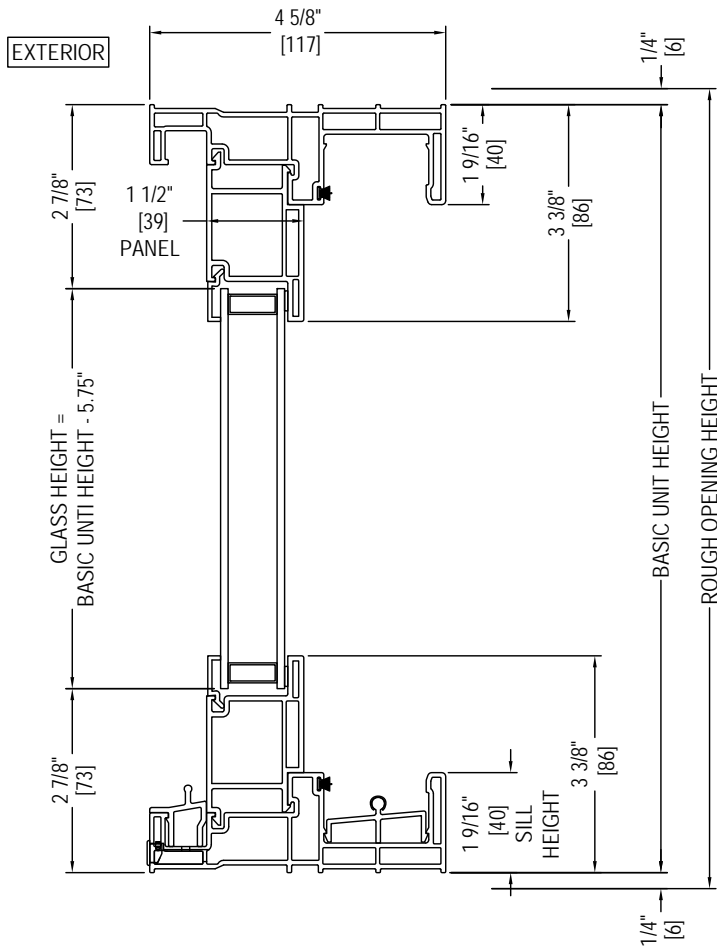
Drawn to Full Scale

Printed to 4" = 1' Scale

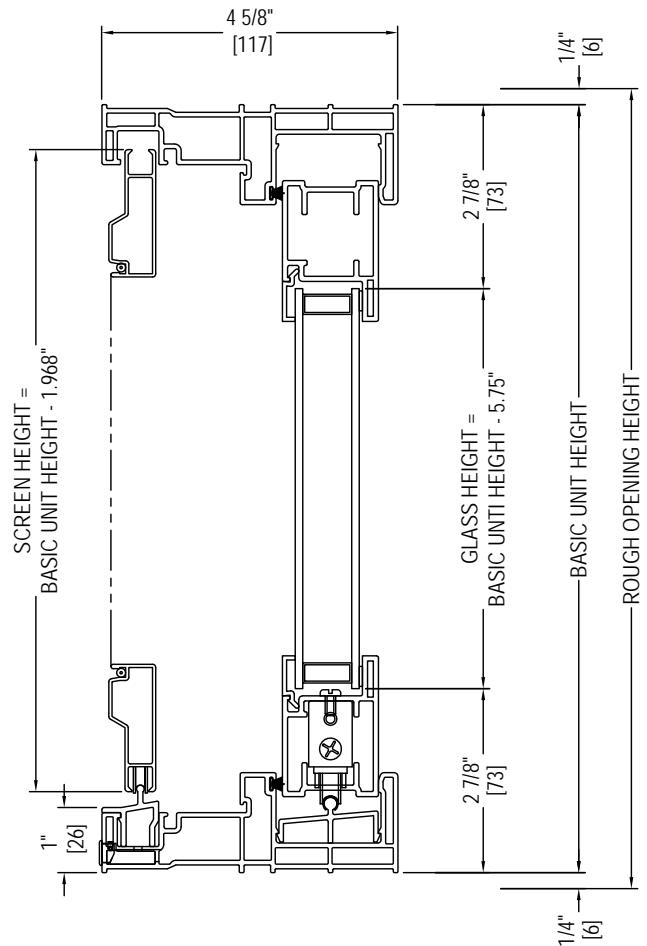
Merrill Wi

850

HEAD DETAIL
SUPERSEAL SLIDING PATIO DOOR,
FIXED PANEL



HEAD DETAIL
SUPERSEAL SLIDING PATIO DOOR,
OPERATING PANEL



SILL DETAILS
SUPERSEAL SLIDING
PATIO DOOR

SUPERSEAL® 850 Sliding Patio Door

Windows & Doors

Jamb Details

Page 2 of 3

SIZING WIDTH FORMULAS 2 - WIDE

BASIC UNIT WIDTH = GLASS WIDTH X 2 (+ 5.500") or
BASIC UNIT WIDTH / 2 + 0.844"

Replacement

Drawn to Full Scale

Printed to 4" = 1' Scale

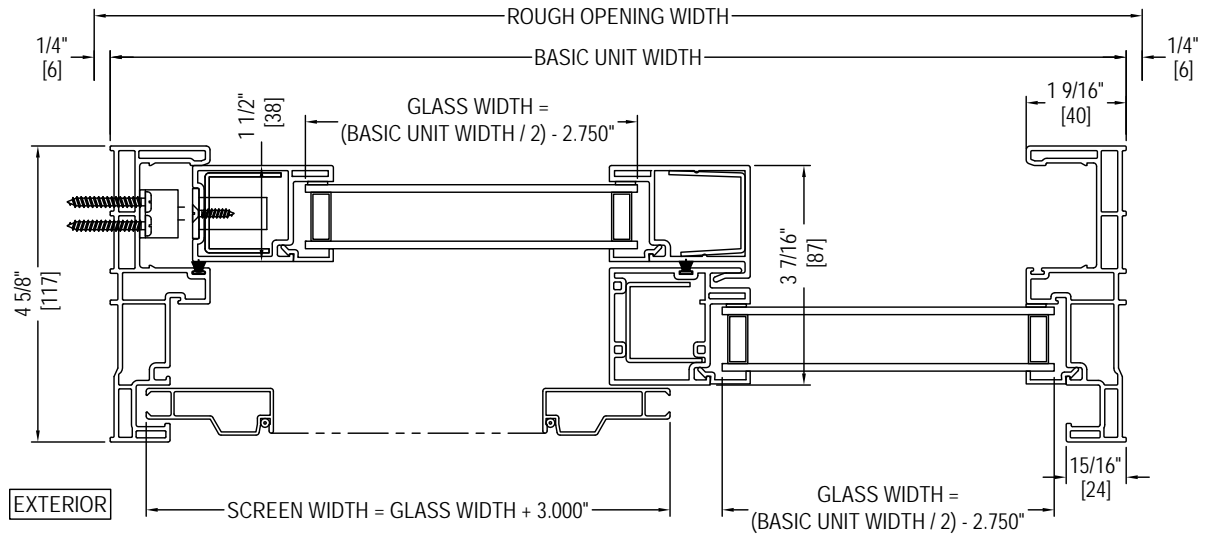
Merrill Wi

850

GLASS WIDTH = BASIC UNIT/2 (- 2.750")

SASH WIDTH = GLASS + 3.526" OR

SCREEN WIDTH = GLASS WIDTH + 3.000"



JAMB DETAIL

SUPERSEAL SLIDING
PATIO DOOR,
OPERATING / FIXED

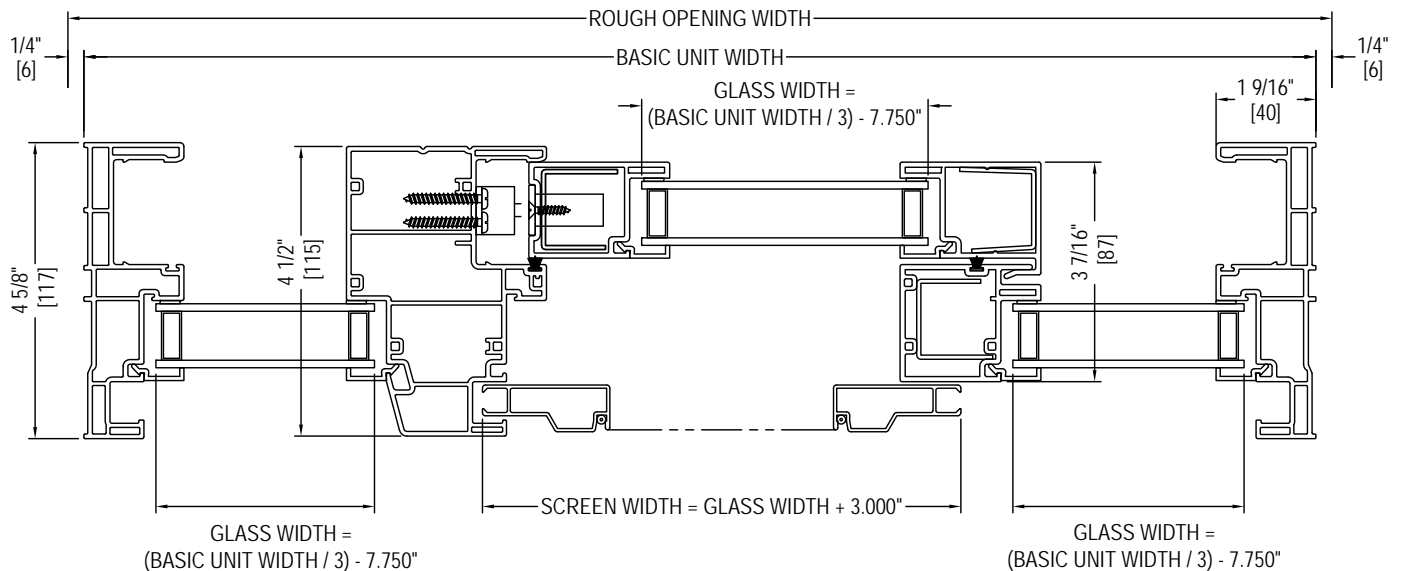
SIZING WIDTH FORMULAS 3 - WIDE

BASIC UNIT WIDTH = GLASS WIDTH X 3 (+ 7.750")

GLASS WIDTH = (BASIC UNIT - 7.750") / 3

SASH WIDTH = GLASS WIDTH + 3.526"

SCREEN WIDTH = GLASS WIDTH + 3.000"

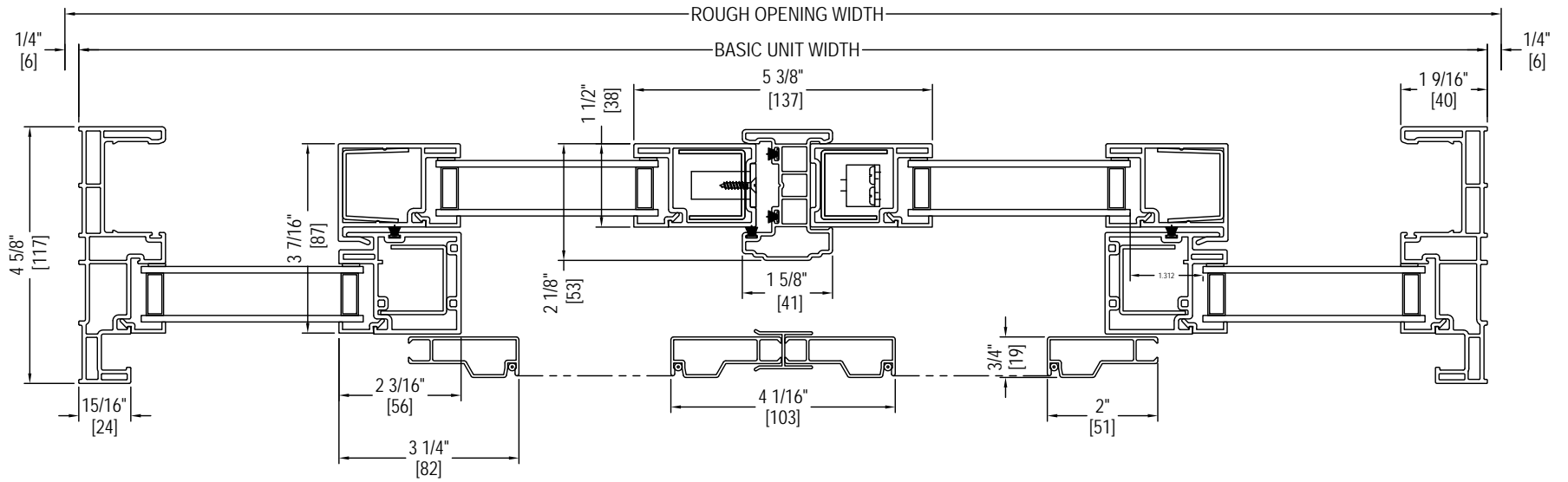


JAMB DETAIL

SUPERSEAL SLIDING PATIO DOOR,
FIXED / OPERATING / FIXED

Replacement

Drawn to Full Scale
Printed to 4" = 1' Scale
Merrill Wi
850



 **JAMB DETAIL**
SUPERSEAL SLIDING PATIO DOOR,
FIXED / OPERATING / OPERATING / FIXED