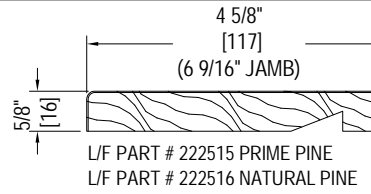
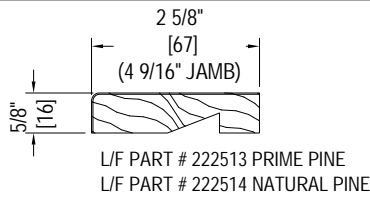


Jamb Extension

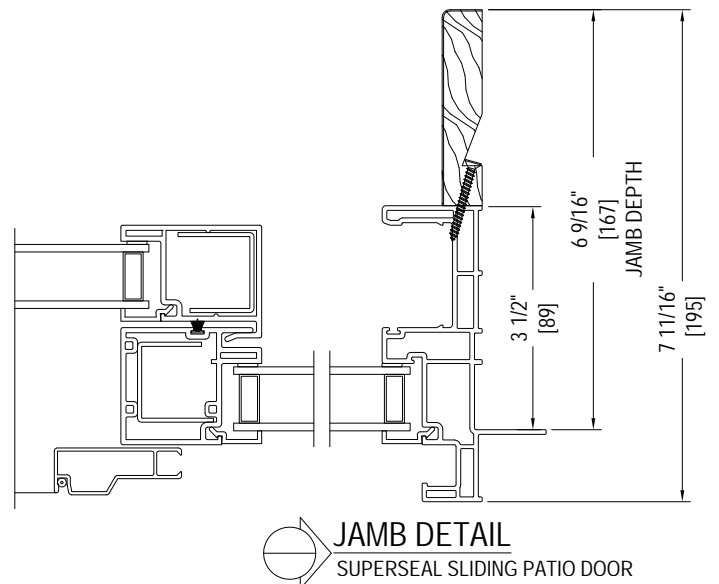
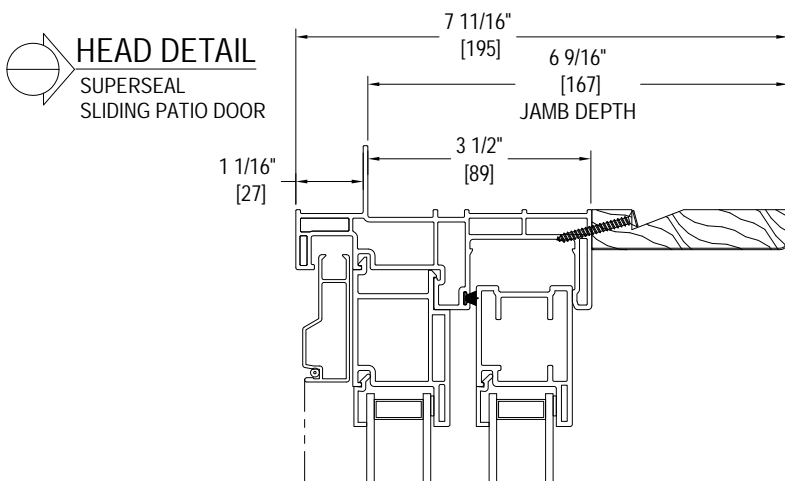
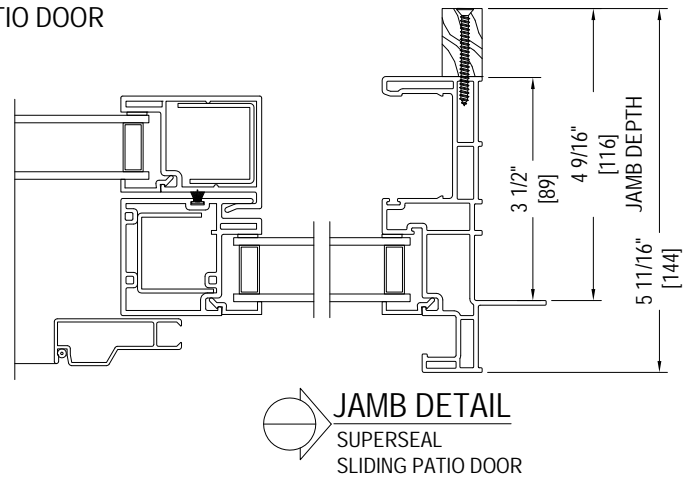
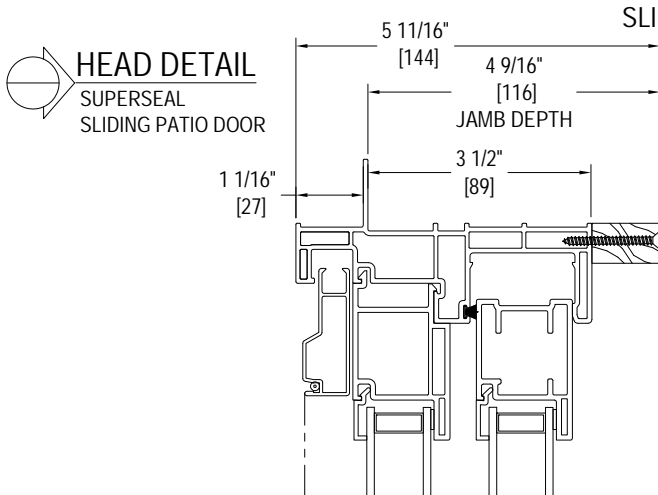
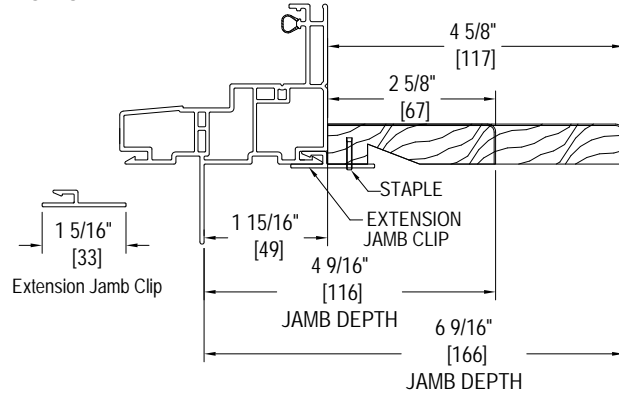
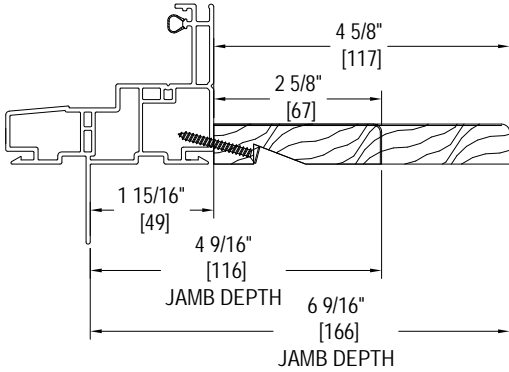
Drawn to Full Scale
Printed to 4" = 1' Scale
12/12/2014



OPTIONAL SCREW INSTALLATION METHOD

ALL WINDOWS

STANDARD CLIP INSTALLATION METHOD

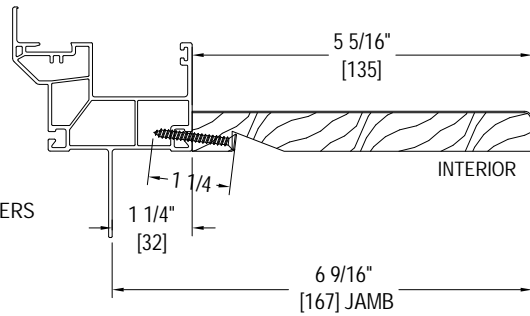
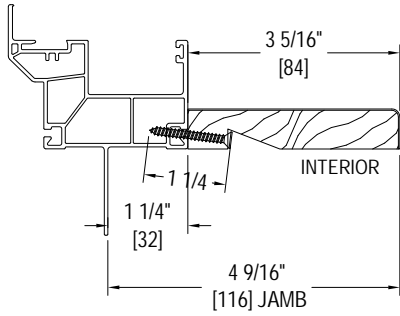
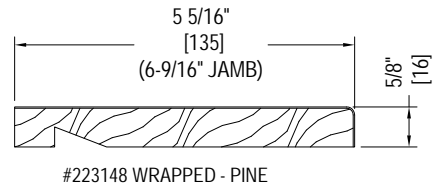
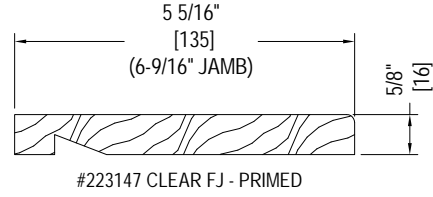
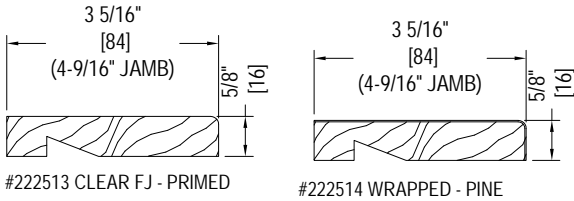


Jamb Extension for Windows

Drawn to Full Scale
Printed to 4" = 1' Scale

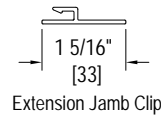
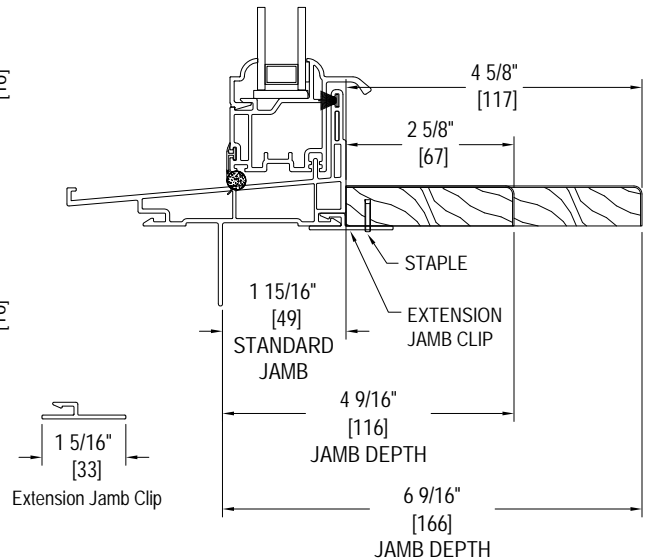
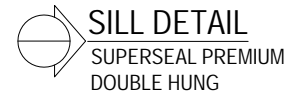
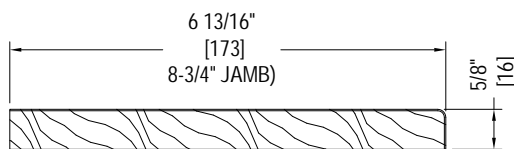
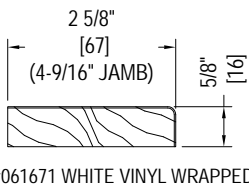
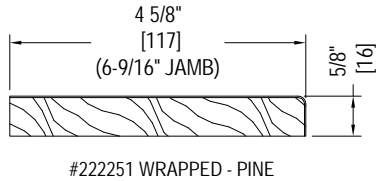
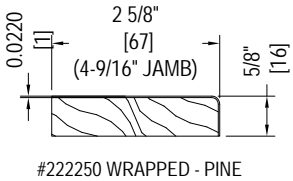
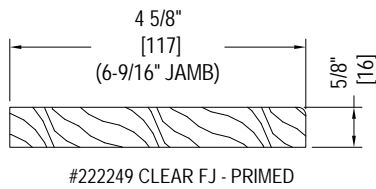
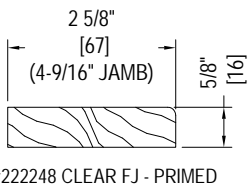
BUILDERS'

Screws are installed 3" from each corner and 16" on center thereafter.



PREMIUM DESIGNERS CASEMENT, AWNING SHAPES

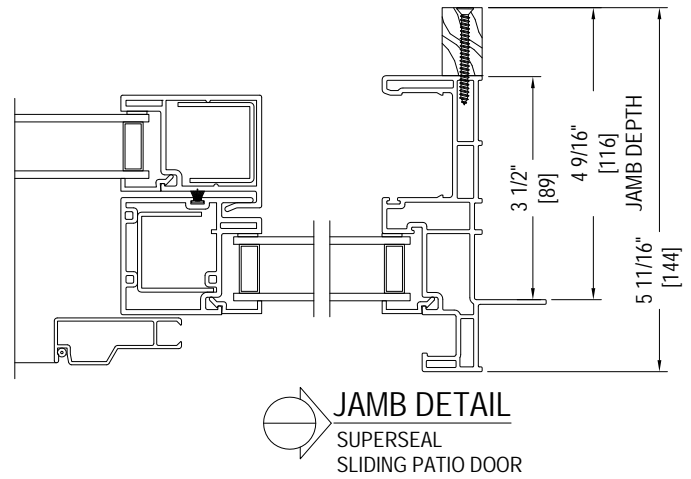
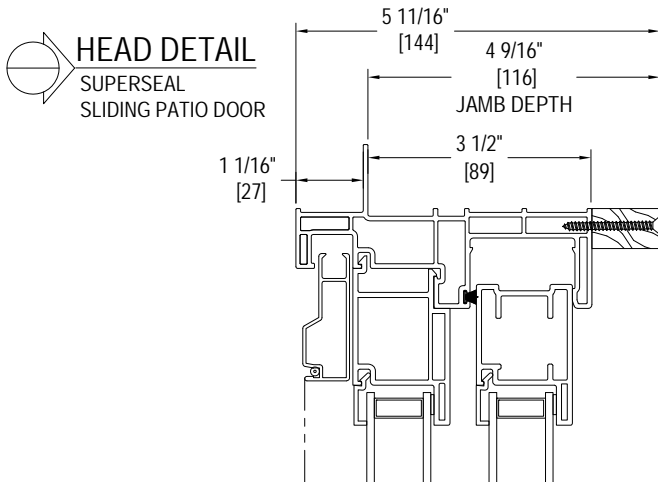
Screws are installed 3" from each corner and 16" on center thereafter.



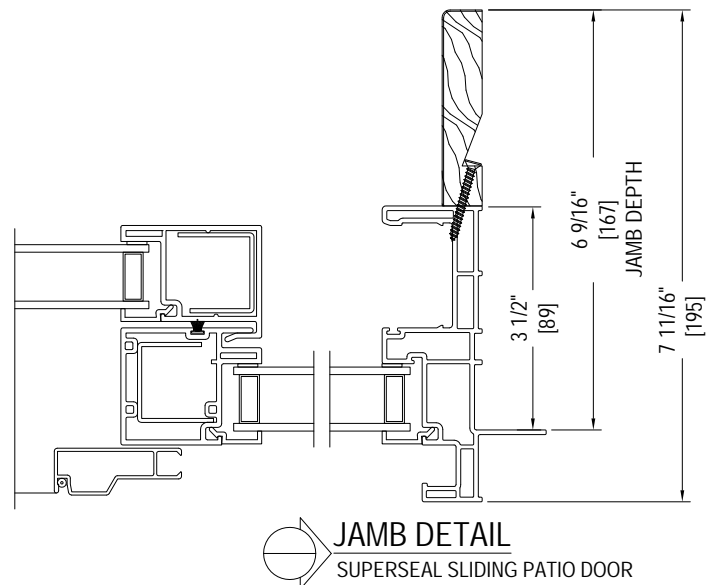
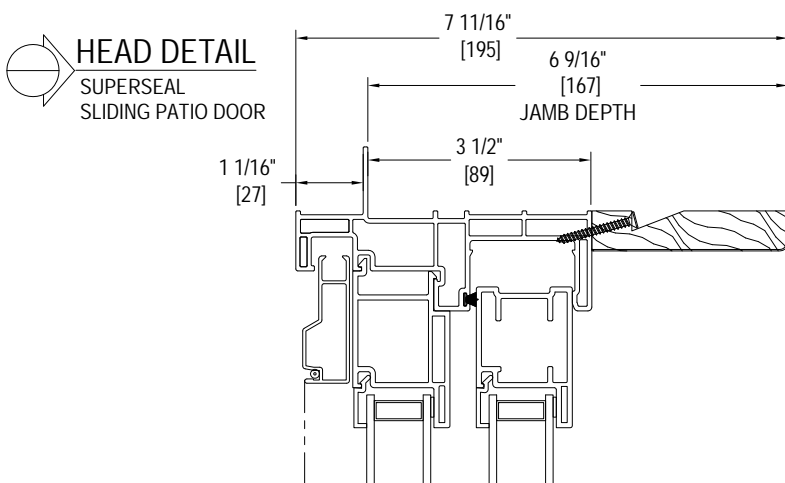
Jamb Extension for Sliding Patio Doors

Drawn to Full Scale
Printed to 4" = 1' Scale

4 9/16" Jamb Depth

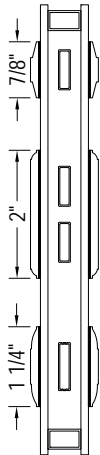


6 9/16" Jamb Depth

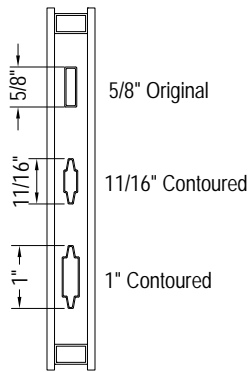


Grille Styles & Profiles

Grille Bar
All product Lines

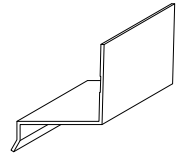
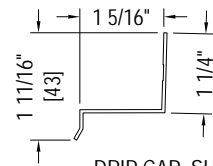


Grille in Air Space
All product Lines



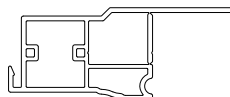
Drip Cap

Drawn to Full Scale
Printed to 4" = 1' Scale

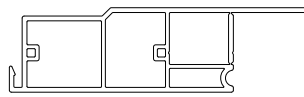


DRIP CAP, SHIPPED LOOSE
12' LINEAL
WHITE Part # 023857
BEIGE Part # 051557

Exterior Accessories, Brick Mould, Flat Casing & Sill Nosing



2 1/4" BRICK MOULD
WHITE - Part # 051192
BEIGE - Part # 051193



3 1/2" FLAT CASING
WHITE - Part # 051194
BEIGE - Part # 051195



SILL NOSE
WHITE - Part # 051198
BEIGE - Part # 051199

Weatherstrip Color to Vinyl Color Match

These colors apply to the following:

- Casement / Awning Sash Weatherstrip
- Single Hung / Double Hung Bottom Rail Weatherstrip

BULB WEATHERSTRIP COLOR	WHITE	BEIGE	BRONZE
VINYL COLOR	WHITE VINYL EGGSHELL COLONIAL WHITE	BEIGE VINYL SAND BURNT SUN DRIED WHEAT PATINA GREEN	BRONZE HARTFORD GREEN BRICK RED JET BLACK ASPEN MOSS BAHAMA BROWN BOYSENBERRY SAGE BROWN

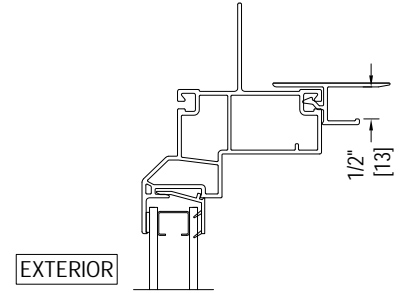
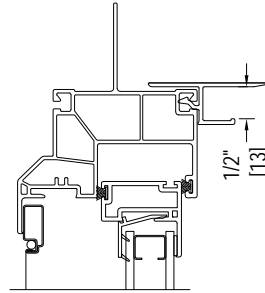
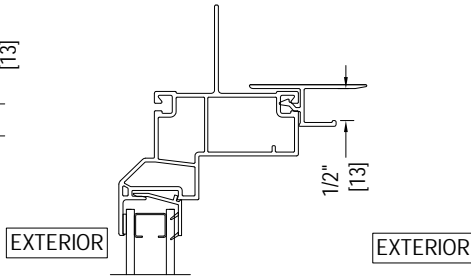
Drawn to Full Scale
Printed to 4" = 1' Scale

HEAD DETAILS
SUPERSEAL BUILDERS'
SINGLE HUNG

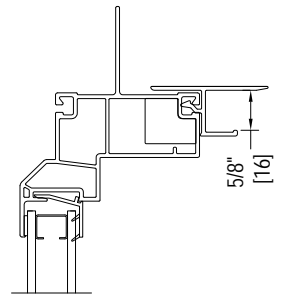
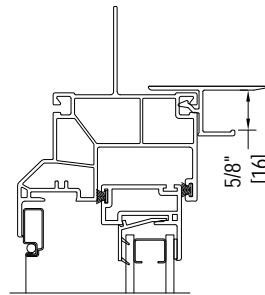
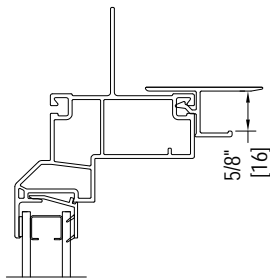
HEAD DETAILS
SUPERSEAL BUILDERS'
SINGLE SLIDER

HEAD DETAIL
SUPERSEAL BUILDERS'
PICTURE

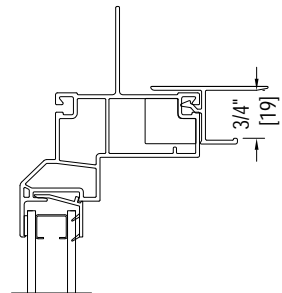
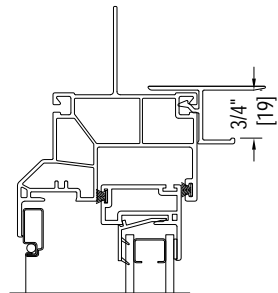
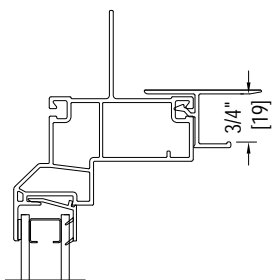
1/2" DRYWALL RETURN
WHITE - Part # 051355



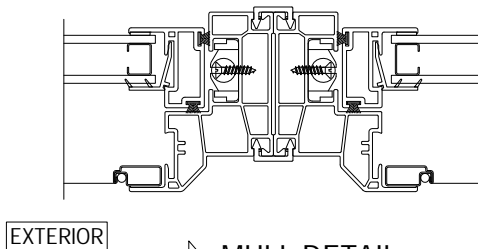
5/8" DRYWALL RETURN
WHITE - Part # 051353



3/4" DRYWALL RETURN
(USED FOR X-JAMBS)
WHITE - Part # 051354



5/8" [15]
DIRECT MULL
COUPLER

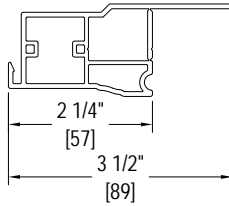


MULL DETAIL
SUPERSEAL BUILDERS'
SINGLE HUNG / SINGLE HUNG

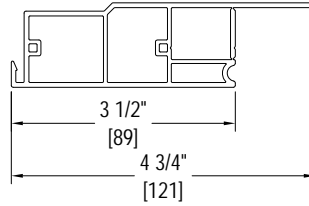
1 5/16" [43]
1 1/4"
DRIP CAP, SHIPPED LOOSE

12' LINEAL
WHITE Part # 023857
BEIGE Part # 051557

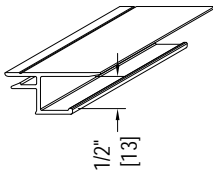
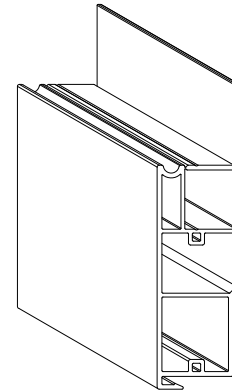
Drawn to Full Scale
Printed to 4" = 1' Scale



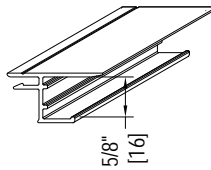
2 1/4" BRICK MOULD
15 1/2" LINEAL
WHITE - Part # 051192
BEIGE - Part # 051193



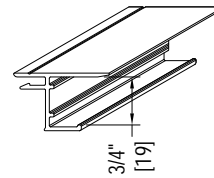
3 1/2" FLAT CASING
15 1/2" LINEAL
WHITE - Part # 051194
BEIGE - Part # 051195



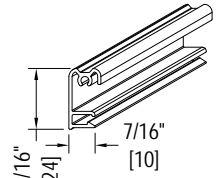
1/2" DRYWALL RETURN
15 1/2" LINEAL
WHITE - Part # 051204
BEIGE - Part # 051205



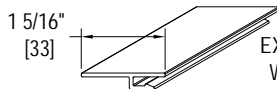
5/8" DRYWALL RETURN
15 1/2" LINEAL
WHITE - Part # 051202
BEIGE - Part # 051203



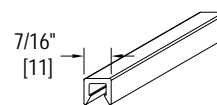
3/4" DRYWALL RETURN
15 1/2" LINEAL
WHITE - Part # 051200
BEIGE - Part # 051201



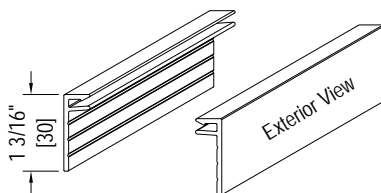
PREMIUM REPLACEMENT
J-CHANNEL
15 1/2" LINEAL
WHITE - Part # 052149
BEIGE - Part # 052150



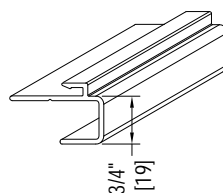
EXTENSION JAMB CLIP
WHITE - Part # 051401



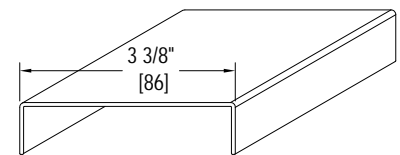
DIRECT MULL COUPLER
15 1/2" LINEAL
WHITE - Part # 051232
BEIGE - Part # 051233



1 1/4" SILL EXTENDER
15 1/2" LINEAL
WHITE - Part # 051236
BEIGE - Part # 051237



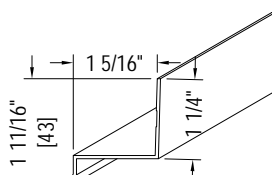
3/4" SILL NOSE
15 1/2" LINEAL
WHITE - Part # 051198
BEIGE - Part # 051199



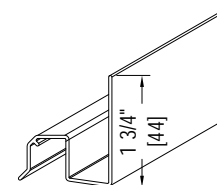
HEAD EXPANDER
for Replacement and Remodel Only
15 1/2" LINEAL
WHITE - Part # 051234
BEIGE - Part # 051235



NIGHT LATCH
WHITE - Part # 051240
BEIGE - Part # 051262



DRIP CAP, SHIPPED LOOSE
12" LINEAL
WHITE Part # 023857
BEIGE Part # 051557



DESIGNERS' SERIES
J-CHANNEL DRIP CAP
15 1/2" LINEAL
WHITE Part # 051804
BEIGE Part # 051805

SUPERSEAL

Windows & Doors

Premium & Designers' Series Vinyl Accessories

Shown on Various Unit Types, Available for both the Premium

and Designers' Series unless Otherwise Specified

2 1/4" STANDARD BRICK MOULD FORMULAS

BASIC UNIT HEIGHT + 2.8125" = BMLD + SILL NOSING HEIGHT

BASIC UNIT WIDTH + 4.125" = BMLD WIDTH

BRICK MOULD ON ALL 4 SIDES

BASIC UNIT HEIGHT + 4.125" = BMLD AT HEAD & SILL

BASIC UNIT WIDTH + 4.125" = BMLD AT EACH JAMB

3 1/2" BRICK MOULD FORMULAS

BASIC UNIT HEIGHT + 4.0625" = BMLD + SILL NOSING HEIGHT

BASIC UNIT WIDTH + 6.625" = BMLD WIDTH

BRICK MOULD ON ALL 4 SIDES

BASIC UNIT HEIGHT + 6.625" = BMLD AT HEAD & SILL

BASIC UNIT WIDTH + 6.625" = BMLD AT EACH JAMB

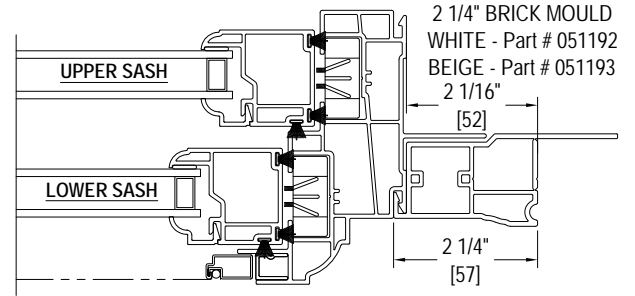
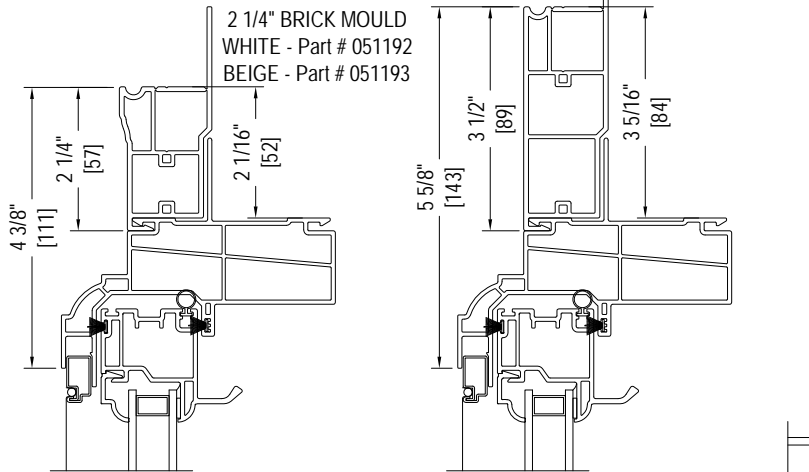
Accessory Details

Page 7 of 11

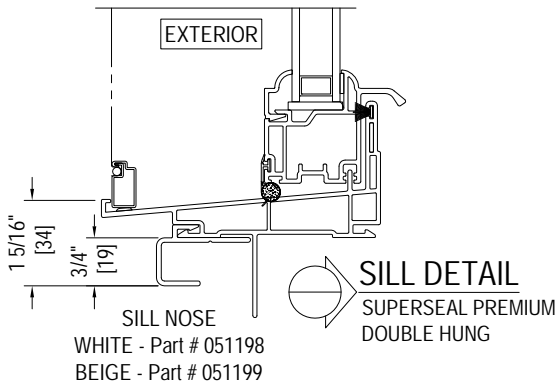
Drawn to Full Scale

Printed to 4" = 1' Scale

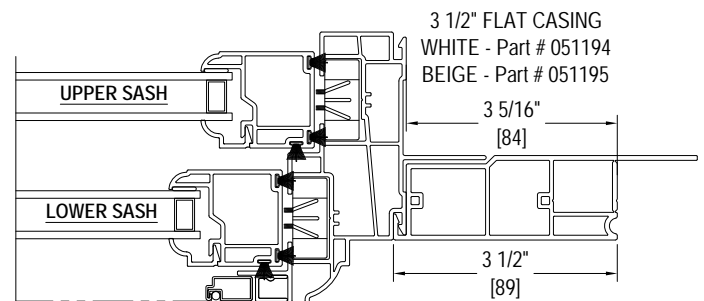
HEAD DETAIL SUPERSEAL PREMIUM DOUBLE HUNG



JAMB DETAIL SUPERSEAL PREMIUM DOUBLE HUNG

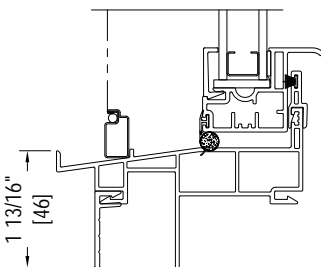


SILL DETAIL SUPERSEAL PREMIUM DOUBLE HUNG

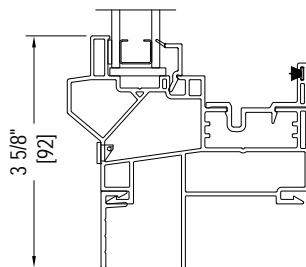


JAMB DETAIL SUPERSEAL PREMIUM DOUBLE HUNG

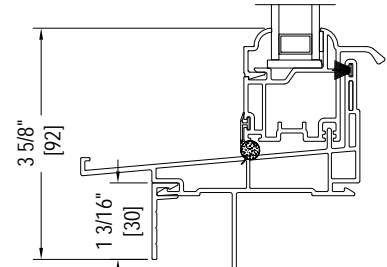
1-1/4" SILL EXTENDER
WHITE - Part # 051236
BEIGE - Part # 051237



SILL DETAIL SUPERSEAL DESIGNERS' SINGLE HUNG



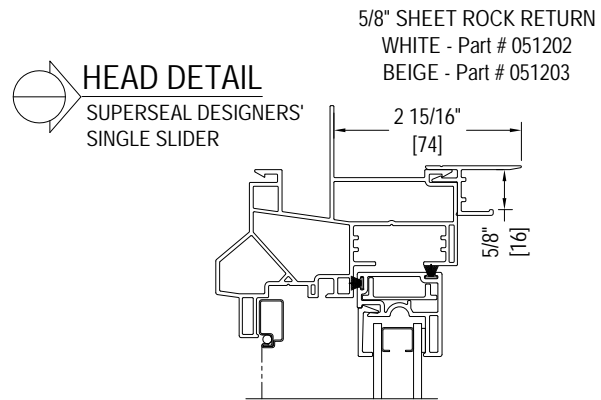
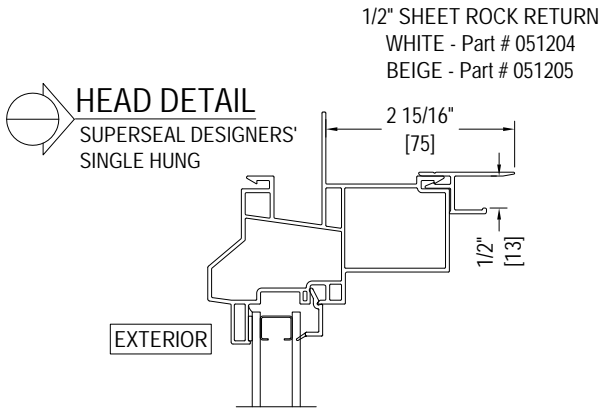
SILL DETAIL SUPERSEAL DESIGNERS' SINGLE SLIDER



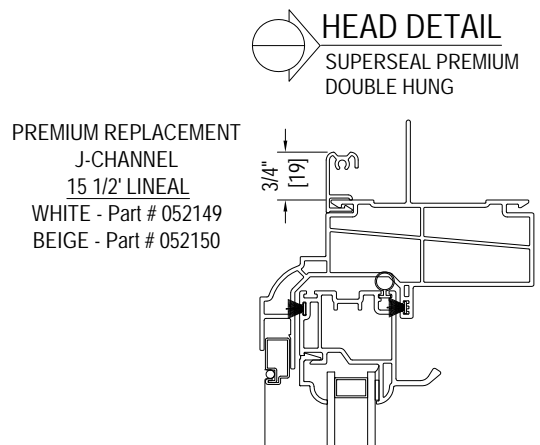
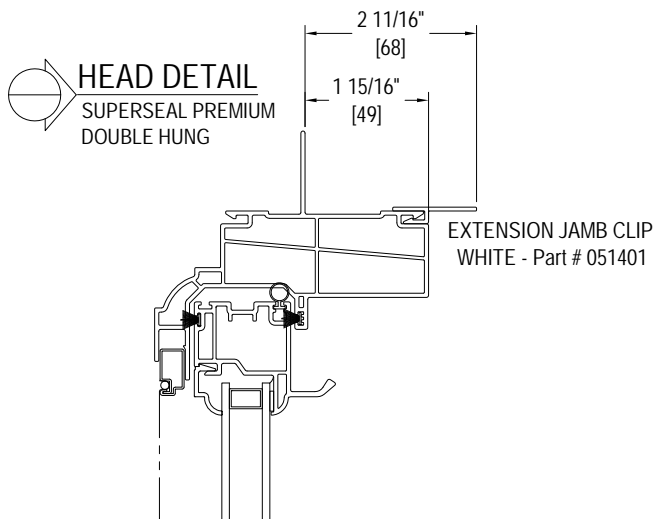
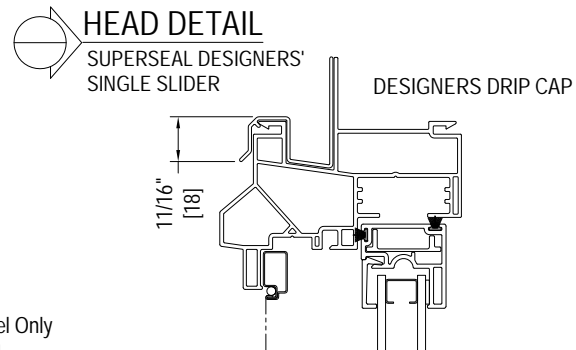
SILL DETAIL SUPERSEAL PREMIUM DOUBLE HUNG

Shown on Various Unit Types, Available for both the Premium and Designers' Series unless Otherwise Specified

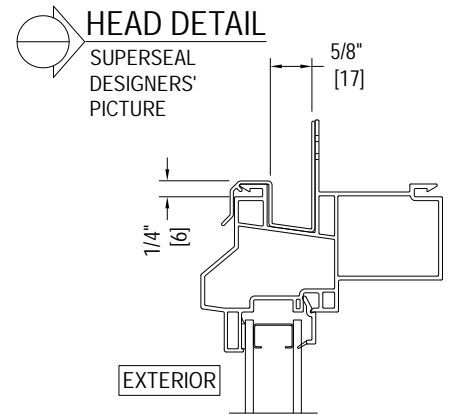
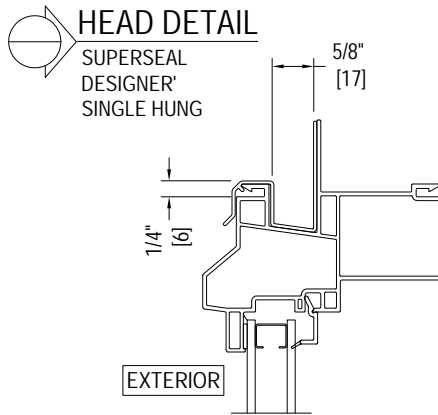
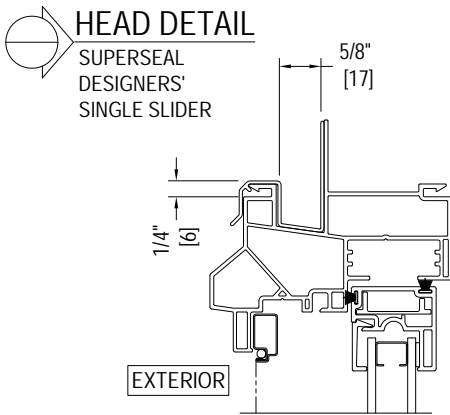
Drawn to Full Scale
Printed to 4" = 1' Scale



HEAD EXPANDER
for Replacement and Remodel Only
WHITE - Part # 051234
BEIGE - Part # 051235

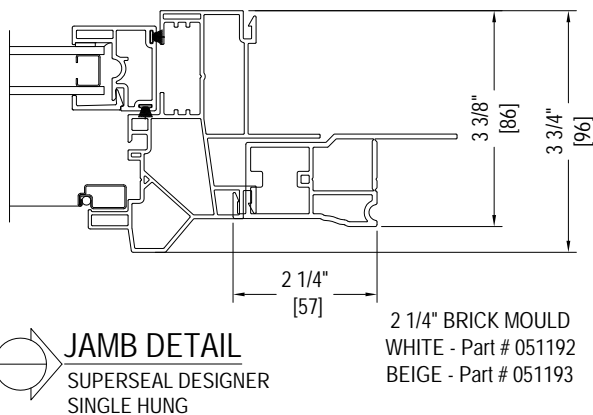
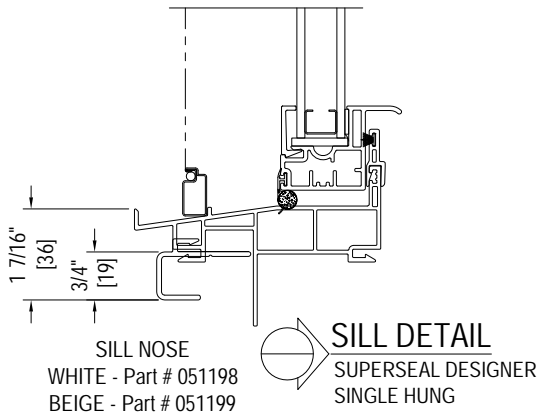
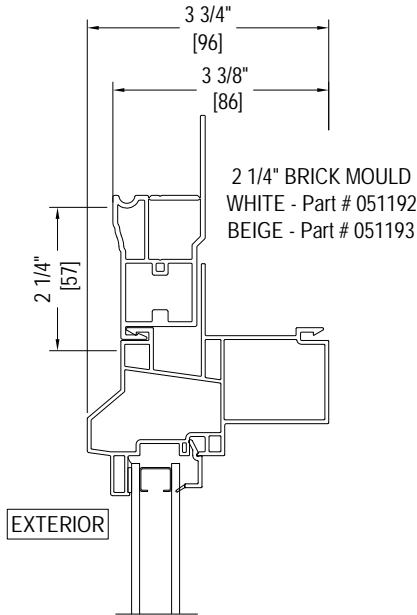


DESIGNERS' SERIES
J-CHANNEL DRIP CAP
15 1/2' LINEAL
WHITE Part # 051804
BEIGE Part # 051805



2 1/4" Brick Mould

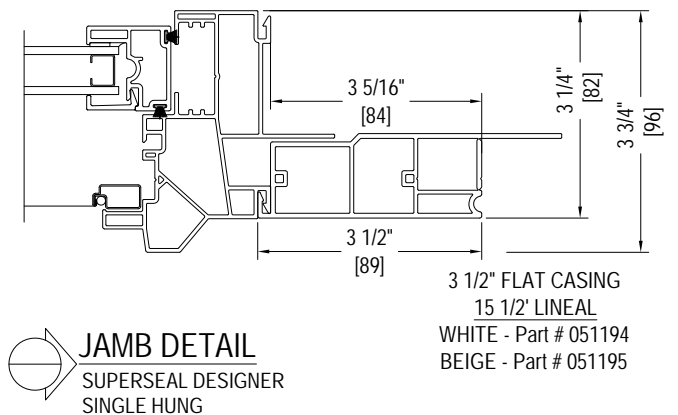
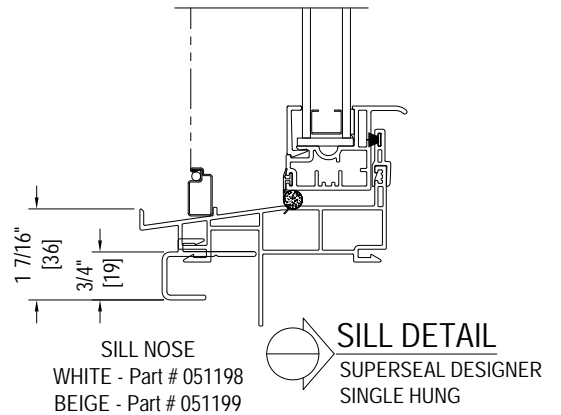
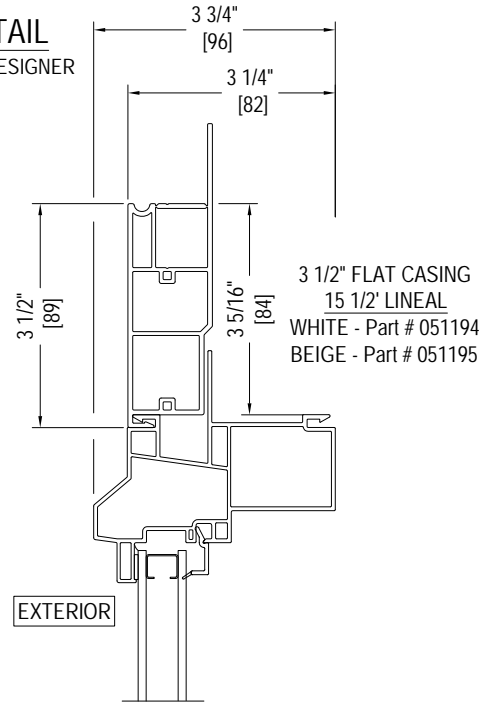
HEAD DETAIL SUPERSEAL DESIGNER SINGLE HUNG



3 1/2" Flat Casing

Drawn to Full Scale
Printed to 4" = 1' Scale

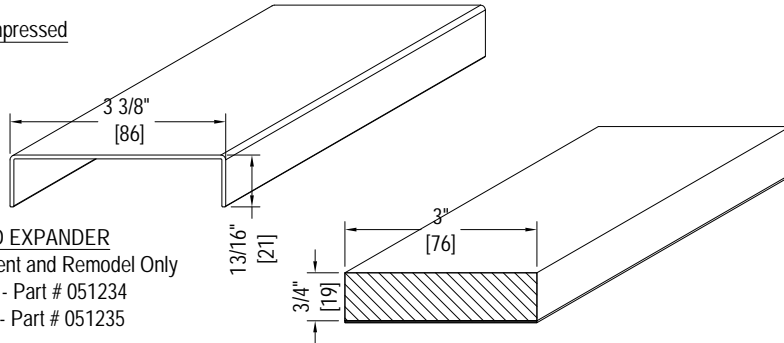
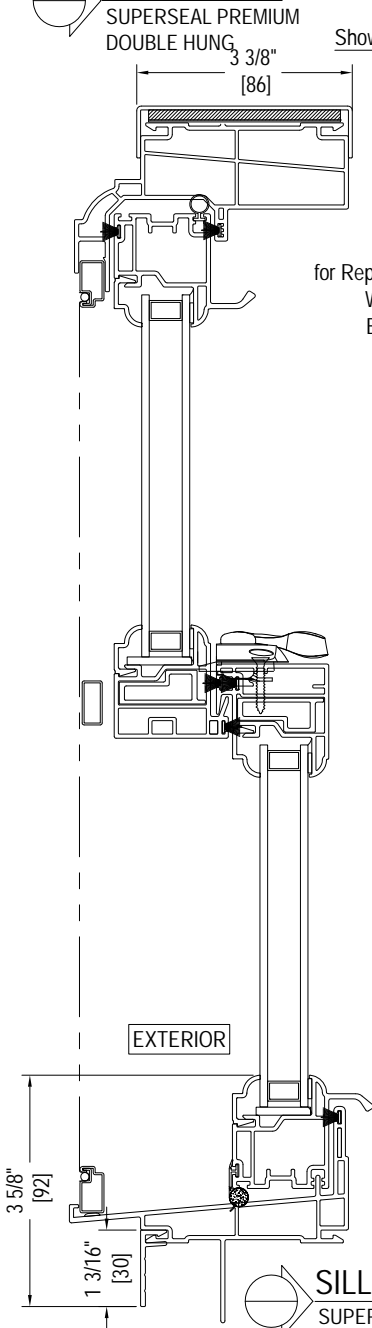
HEAD DETAIL SUPERSEAL DESIGNER SINGLE HUNG



HEAD DETAIL

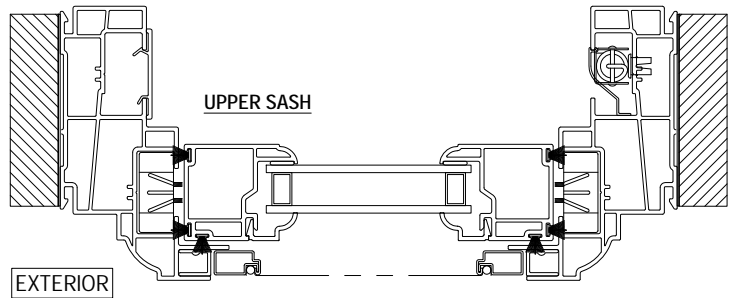
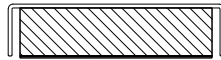
SUPERSEAL PREMIUM
DOUBLE HUNG

Shown compressed



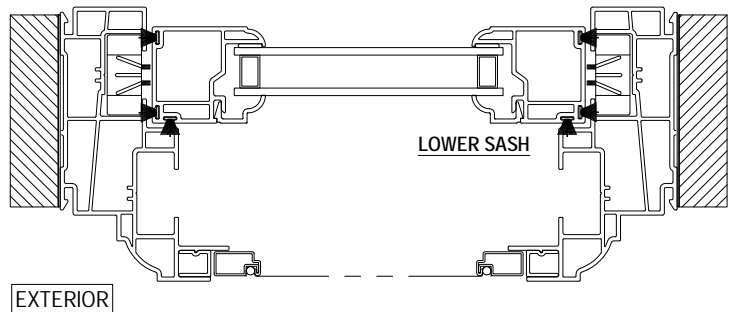
HEAD EXPANDER
for Replacement and Remodel Only
WHITE - Part # 051234
BEIGE - Part # 051235

FOAM WRAP
for Replacement and Remodel Only
Grey foam with PSA
Part # ZZ00085322



JAMB DETAIL UPPER SASH

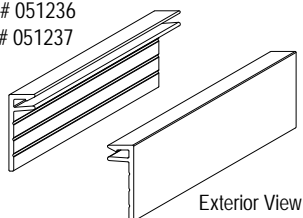
SUPERSEAL PREMIUM DOUBLE HUNG



JAMB DETAIL, LOWER SASH

SUPERSEAL PREMIUM DOUBLE HUNG

1-1/4" SILL EXTENDER
WHITE - Part # 051236
BEIGE - Part # 051237



Exterior View