

## Egress Data Windows & Doors

The following opening specifications have been provided to assist you in determining compliance to Egress codes based on BOCA and UBC code requirements as follows.

Each criteria below must be met to be considered an egress window unit.

1. The units must be operable from the inside without the use of separate tools.
2. All egress from sleeping rooms must have a minimum net clear opening of 5.7 square feet.
3. The minimum net clear opening height dimension shall be 24".  
The minimum net clear opening width dimension shall be 20".
4. The Floor To Sill Height Column is calculated by measuring from the clear opening sill (when unit is open) to the floor. This height cannot be more than 44" above the floor.

- Calculations based on 82 1/2" header height.
- Calculations based on 50/50 Sash Split.

- E meets Egress

- Charts can be used are for all glass types available.

## Light, Vent & Egress Data

### 24 Callout width

CALLOUT & R. O.	BASIC UNIT SIZE (WIDTH & HEIGHT)	SASH SIZE (WIDTH & HEIGHT)	GLASS SIZE (WIDTH & HEIGHT)	EGRESS DATA				LIGHT	VENT
				TOTAL SQ. FT. CLEAR OPENING (Minimum 5.7 sq ft)	CLEAR OPENING WIDTH (Minimum 20")	CLEAR OPENING HEIGHT (Minimum 24")	FLOOR TO SILL HEIGHT (Can not exceed 44")	DAYLIGHT OPENING SQ. FT. Per Sash	VENTILATION SQ. FT.
24 x 30	23.50" x 29.50"	Bottom Sash: Width 20.65625" Height 14.75" Top Sash: Width 19.65625" Height 13.75"	Bottom Glass: Width 18.0625" Height 12.15625" Top Glass: Width 17.0625" Height 11.15625"	1.181	18.224"	9.332"	55.075"	Bottom Sash 1.326 Top Sash 1.136	1.181
24 x 36	23.50" x 35.50"	Bottom Sash: Width 20.65625" Height 17.75" Top Sash: Width 19.65625" Height 16.75"	Bottom Glass: Width 18.0625" Height 15.15625" Top Glass: Width 17.0625" Height 14.15625"	1.561	18.224"	12.332"	49.075"	Bottom Sash 1.681 Top Sash 1.471	1.561
24 x 42	23.50" x 41.50"	Bottom Sash: Width 20.65625" Height 20.75" Top Sash: Width 19.65625" Height 19.75"	Bottom Glass: Width 18.0625" Height 18.15625" Top Glass: Width 17.0625" Height 17.15625"	1.940	18.224"	15.332"	43.075"	Bottom Sash 2.037 Top Sash 1.856	1.940
24 x 48	23.50" x 47.50"	Bottom Sash: Width 20.65625" Height 23.75" Top Sash: Width 19.65625" Height 22.75"	Bottom Glass: Width 18.0625" Height 21.15625" Top Glass: Width 17.0625" Height 20.15625"	2.320	18.224"	18.332"	37.075"	Bottom Sash 2.392 Top Sash 2.140	2.320
24 x 54	23.50" x 53.50"	Bottom Sash: Width 20.65625" Height 26.75" Top Sash: Width 19.65625" Height 25.75"	Bottom Glass: Width 18.0625" Height 24.15625" Top Glass: Width 17.0625" Height 23.15625"	2.700	18.224"	21.332"	31.075"	Bottom Sash 2.747 Top Sash 2.475	2.700
24 x 60	23.50" x 59.50"	Bottom Sash: Width 20.65625" Height 29.75" Top Sash: Width 19.65625" Height 28.75"	Bottom Glass: Width 18.0625" Height 27.15625" Top Glass: Width 17.0625" Height 26.15625"	3.079	18.224"	24.332"	25.075"	Bottom Sash 3.103 Top Sash 2.810	3.079
24 x 66	23.50" x 65.50"	Bottom Sash: Width 20.65625" Height 32.75" Top Sash: Width 19.65625" Height 31.75"	Bottom Glass: Width 18.0625" Height 30.15625" Top Glass: Width 17.0625" Height 29.15625"	3.459	18.224"	27.332"	19.075"	Bottom Sash 3.458 Top Sash 3.144	3.459
24 x 72	23.50" x 71.50"	Bottom Sash: Width 20.65625" Height 35.75" Top Sash: Width 19.65625" Height 34.75"	Bottom Glass: Width 18.0625" Height 33.15625" Top Glass: Width 17.0625" Height 32.15625"	3.839	18.224"	30.332"	13.075"	Bottom Sash 3.814 Top Sash 3.479	3.839
24 x 78	23.50" x 77.50"	Bottom Sash: Width 20.65625" Height 38.75" Top Sash: Width 19.65625" Height 37.75"	Bottom Glass: Width 18.0625" Height 36.15625" Top Glass: Width 17.0625" Height 35.15625"	3.981	18.224"	31.457" <sup>1</sup>	7.075"	Bottom Sash 4.169 Top Sash 3.813	3.981

<sup>1</sup> Maximum travel is 31.457".

## Egress Data Windows & Doors

The following opening specifications have been provided to assist you in determining compliance to Egress codes based on BOCA and UBC code requirements as follows.

Each criteria below must be met to be considered an egress window unit.

1. The units must be operable from the inside without the use of separate tools.
2. All egress from sleeping rooms must have a minimum net clear opening of 5.7 square feet.
3. The minimum net clear opening height dimension shall be 24".  
The minimum net clear opening width dimension shall be 20".
4. The Floor To Sill Height Column is calculated by measuring from the clear opening sill (when unit is open) to the floor. This height cannot be more than 44" above the floor.

- Calculations based on 82 1/2" header height.
- Calculations based on 50/50 Sash Split.
- E meets Egress
- Charts can be used are for all glass types available.

## Light, Vent & Egress Data

### 30 Callout width

CALLOUT & ROUGH OPENING	BASIC UNIT SIZE (WIDTH & HEIGHT)	SASH SIZE (WIDTH & HEIGHT)	GLASS SIZE (WIDTH & HEIGHT)	EGRESS DATA				LIGHT	VENT
				TOTAL SQ. FT. CLEAR OPENING (Minimum 5.7 sq ft)	CLEAR OPENING WIDTH (Minimum 20")	CLEAR OPENING HEIGHT (Minimum 24")	FLOOR TO SILL HEIGHT (Can not exceed 44")	DAYLIGHT OPENING SQ. FT. Per Sash	VENTILATION SQ. FT.
30 x 30	29.50" x 29.50"	Bottom Sash: Width 26.65625" Height 14.75" Top Sash: Width 25.65625" Height 13.75"	Bottom Glass: Width 24.0625" Height 12.15625" Top Glass: Width 23.0625" Height 11.15625"	1.570	24.224"	9.332"	55.075"	Bottom Sash 1.792 Top Sash 1.561	1.570
30 x 36	29.50" x 35.50"	Bottom Sash: Width 26.65625" Height 17.75" Top Sash: Width 25.65625" Height 16.75"	Bottom Glass: Width 24.0625" Height 15.15625" Top Glass: Width 23.0625" Height 14.15625"	2.075	24.224"	12.332"	49.075"	Bottom Sash 2.272 Top Sash 2.020	2.075
30 x 42	29.50" x 41.50"	Bottom Sash: Width 26.65625" Height 20.75" Top Sash: Width 25.65625" Height 19.75"	Bottom Glass: Width 24.0625" Height 18.15625" Top Glass: Width 23.0625" Height 17.15625"	2.579	24.224"	15.332"	43.075"	Bottom Sash 2.753 Top Sash 2.480	2.579
30 x 48	29.50" x 47.50"	Bottom Sash: Width 26.65625" Height 23.75" Top Sash: Width 25.65625" Height 22.75"	Bottom Glass: Width 24.0625" Height 21.15625" Top Glass: Width 23.0625" Height 20.15625"	3.084	24.224"	18.332"	37.075"	Bottom Sash 3.233 Top Sash 2.940	3.084
30 x 54	29.50" x 53.50"	Bottom Sash: Width 26.65625" Height 26.75" Top Sash: Width 25.65625" Height 25.75"	Bottom Glass: Width 24.0625" Height 24.15625" Top Glass: Width 23.0625" Height 23.15625"	3.589	24.224"	21.332"	31.075"	Bottom Sash 3.714 Top Sash 3.399	3.589
30 x 60	29.50" x 59.50"	Bottom Sash: Width 26.65625" Height 29.75" Top Sash: Width 25.65625" Height 28.75"	Bottom Glass: Width 24.0625" Height 27.15625" Top Glass: Width 23.0625" Height 26.15625"	4.093	24.224"	24.332"	25.075"	Bottom Sash 4.194 Top Sash 3.860	4.093
30 x 66	29.50" x 65.50"	Bottom Sash: Width 26.65625" Height 32.75" Top Sash: Width 25.65625" Height 31.75"	Bottom Glass: Width 24.0625" Height 30.15625" Top Glass: Width 23.0625" Height 29.15625"	4.598	24.224"	27.332"	19.075"	Bottom Sash 4.675 Top Sash 4.319	4.598
30 x 72	29.50" x 71.50"	Bottom Sash: Width 26.65625" Height 35.75" Top Sash: Width 25.65625" Height 34.75"	Bottom Glass: Width 24.0625" Height 33.15625" Top Glass: Width 23.0625" Height 32.15625"	5.103	24.224"	30.332"	13.075"	Bottom Sash 5.155 Top Sash 4.778	5.103
30 x 78	29.50" x 77.50"	Bottom Sash: Width 26.65625" Height 38.75" Top Sash: Width 25.65625" Height 37.75"	Bottom Glass: Width 24.0625" Height 36.15625" Top Glass: Width 23.0625" Height 35.15625"	5.292	24.224"	31.457" <sup>1</sup>	7.075"	Bottom Sash 5.635 Top Sash 5.238	5.292

<sup>1</sup> Maximum travel is 31.457".

## Egress Data Windows & Doors

The following opening specifications have been provided to assist you in determining compliance to Egress codes based on BOCA and UBC code requirements as follows.

Each criteria below must be met to be considered an egress window unit.

1. The units must be operable from the inside without the use of separate tools.
2. All egress from sleeping rooms must have a minimum net clear opening of 5.7 square feet.
3. The minimum net clear opening height dimension shall be 24".  
The minimum net clear opening width dimension shall be 20".
4. The Floor To Sill Height Column is calculated by measuring from the clear opening sill (when unit is open) to the floor. This height cannot be more than 44" above the floor.

- Calculations based on 82 1/2" header height.
- Calculations based on 50/50 Sash Split.
- E meets Egress
- Charts can be used are for all glass types available.

## Light, Vent & Egress Data

### 36 Callout width

CALLOUT & R. O.	BASIC UNIT SIZE (WIDTH & HEIGHT)	SASH SIZE (WIDTH & HEIGHT)				GLASS SIZE (WIDTH & HEIGHT)				EGRESS DATA				LIGHT	VENT
		Bottom Sash: Width 32.65625" Height 14.75"	Top Sash: Width 31.65625" Height 13.75"	Bottom Glass: Width 30.0625" Height 12.15625"	Top Glass: Width 29.0625" Height 11.15625"	TOTAL SQ. FT. CLEAR OPENING (Minimum 5.7 sq ft)	CLEAR OPENING WIDTH (Minimum 20")	CLEAR OPENING HEIGHT (Minimum 24")	FLOOR TO SILL HEIGHT (Can not exceed 44")	DAYLIGHT OPENING SQ. FT. Per Sash	VENTILATION SQ. FT.				
36 x 30	35.50" x 29.50"	Bottom Sash: Width 32.65625" Height 14.75"	Top Sash: Width 31.65625" Height 13.75"	Bottom Glass: Width 30.0625" Height 12.15625"	Top Glass: Width 29.0625" Height 11.15625"	1.959	30.224"	9.332"	55.075"	Bottom Sash 2.258 Top Sash 1.985	1.959				
36 x 36	35.50" x 35.50"	Bottom Sash: Width 32.65625" Height 17.75"	Top Sash: Width 31.65625" Height 16.75"	Bottom Glass: Width 30.0625" Height 15.15625"	Top Glass: Width 29.0625" Height 14.15625"	2.588	30.224"	12.332"	49.075"	Bottom Sash 2.863 Top Sash 2.570	2.588				
36 x 42	35.50" x 41.50"	Bottom Sash: Width 32.65625" Height 20.75"	Top Sash: Width 31.65625" Height 19.75"	Bottom Glass: Width 30.0625" Height 18.15625"	Top Glass: Width 29.0625" Height 17.15625"	3.218	30.224"	15.332"	43.075"	Bottom Sash 3.469 Top Sash 3.155	3.218				
36 x 48	35.50" x 47.50"	Bottom Sash: Width 32.65625" Height 23.75"	Top Sash: Width 31.65625" Height 22.75"	Bottom Glass: Width 30.0625" Height 21.15625"	Top Glass: Width 29.0625" Height 20.15625"	3.848	30.224"	18.332"	37.075"	Bottom Sash 4.074 Top Sash 3.739	3.848				
36 x 54	35.50" x 53.50"	Bottom Sash: Width 32.65625" Height 26.75"	Top Sash: Width 31.65625" Height 25.75"	Bottom Glass: Width 30.0625" Height 24.15625"	Top Glass: Width 29.0625" Height 23.15625"	4.477	30.224"	21.332"	31.075"	Bottom Sash 4.680 Top Sash 4.324	4.477				
36 x 60	35.50" x 59.50"	Bottom Sash: Width 32.65625" Height 29.75"	Top Sash: Width 31.65625" Height 28.75"	Bottom Glass: Width 30.0625" Height 27.15625"	Top Glass: Width 29.0625" Height 26.15625"	5.107	30.224"	24.332"	25.075"	Bottom Sash 5.285 Top Sash 4.909	5.107				
36 x 66 <b>E</b>	35.50" x 65.50"	Bottom Sash: Width 32.65625" Height 32.75"	Top Sash: Width 31.65625" Height 31.75"	Bottom Glass: Width 30.0625" Height 30.15625"	Top Glass: Width 29.0625" Height 29.15625"	5.737	30.224"	27.332"	19.075"	Bottom Sash 5.891 Top Sash 5.493	5.737				
36 x 72 <b>E</b>	35.50" x 71.50"	Bottom Sash: Width 32.65625" Height 35.75"	Top Sash: Width 31.65625" Height 34.75"	Bottom Glass: Width 30.0625" Height 33.15625"	Top Glass: Width 29.0625" Height 32.15625"	6.366	30.224"	30.332"	13.075"	Bottom Sash 6.496 Top Sash 6.078	6.366				
36 x 78 <b>E</b>	35.50" x 77.50"	Bottom Sash: Width 32.65625" Height 38.75"	Top Sash: Width 31.65625" Height 37.75"	Bottom Glass: Width 30.0625" Height 36.15625"	Top Glass: Width 29.0625" Height 35.15625"	6.602	30.224"	31.457" <sup>1</sup>	7.075"	Bottom Sash 7.102 Top Sash 6.662	6.602				

<sup>1</sup> Maximum travel is 31.457".

## Egress Data Windows & Doors

The following opening specifications have been provided to assist you in determining compliance to Egress codes based on BOCA and UBC code requirements as follows.

Each criteria below must be met to be considered an egress window unit.

1. The units must be operable from the inside without the use of separate tools.
2. All egress from sleeping rooms must have a minimum net clear opening of 5.7 square feet.
3. The minimum net clear opening height dimension shall be 24".  
The minimum net clear opening width dimension shall be 20".
4. The Floor To Sill Height Column is calculated by measuring from the clear opening sill (when unit is open) to the floor. This height cannot be more than 44" above the floor.

- Calculations based on 82 1/2" header height.
- Calculations based on 50/50 Sash Split.
- E meets Egress
- Charts can be used are for all glass types available.

## Light, Vent & Egress Data

### 42 Callout width

CALLOUT & R. O.	BASIC UNIT SIZE (WIDTH & HEIGHT)	SASH SIZE (WIDTH & HEIGHT)				GLASS SIZE (WIDTH & HEIGHT)				EGRESS DATA				LIGHT	VENT
		Bottom Sash: Width 38.65625" Height 14.75"	Top Sash: Width 37.65625" Height 13.75"	Bottom Glass: Width 36.0625" Height 12.15625"	Top Glass: Width 35.0625" Height 11.15625"	TOTAL SQ. FT. CLEAR OPENING (Minimum 5.7 sq ft)	CLEAR OPENING WIDTH (Minimum 20")	CLEAR OPENING HEIGHT (Minimum 24")	FLOOR TO SILL HEIGHT (Can not exceed 44")	DAYLIGHT OPENING SQ. FT. Per Sash	VENTILATION SQ. FT.				
42 x 30	41.50" x 29.50"	Bottom Sash: Width 38.65625" Height 14.75"	Top Sash: Width 37.65625" Height 13.75"	Bottom Glass: Width 36.0625" Height 12.15625"	Top Glass: Width 35.0625" Height 11.15625"	2.348	36.224"	9.332"	55.075"	Bottom Sash 2.724 Top Sash 2.410	2.348				
42 x 36	41.50" x 35.50"	Bottom Sash: Width 38.65625" Height 17.75"	Top Sash: Width 37.65625" Height 16.75"	Bottom Glass: Width 36.0625" Height 15.15625"	Top Glass: Width 35.0625" Height 14.15625"	3.102	36.224"	12.332"	49.075"	Bottom Sash 3.455 Top Sash 3.119	3.102				
42 x 42	41.50" x 41.50"	Bottom Sash: Width 38.65625" Height 20.75"	Top Sash: Width 37.65625" Height 19.75"	Bottom Glass: Width 36.0625" Height 18.15625"	Top Glass: Width 35.0625" Height 17.15625"	3.857	36.224"	15.332"	43.075"	Bottom Sash 4.185 Top Sash 3.829	3.857				
42 x 48	41.50" x 47.50"	Bottom Sash: Width 38.65625" Height 23.75"	Top Sash: Width 37.65625" Height 22.75"	Bottom Glass: Width 36.0625" Height 21.15625"	Top Glass: Width 35.0625" Height 20.15625"	4.612	36.224"	18.332"	37.075"	Bottom Sash 4.915 Top Sash 4.539	4.612				
42 x 54	41.50" x 53.50"	Bottom Sash: Width 38.65625" Height 26.75"	Top Sash: Width 37.65625" Height 25.75"	Bottom Glass: Width 36.0625" Height 24.15625"	Top Glass: Width 35.0625" Height 23.15625"	5.366	36.224"	21.332"	31.075"	Bottom Sash 5.646 Top Sash 5.248	5.366				
42 x 60 <sup>E</sup>	41.50" x 59.50"	Bottom Sash: Width 38.65625" Height 29.75"	Top Sash: Width 37.65625" Height 28.75"	Bottom Glass: Width 36.0625" Height 27.15625"	Top Glass: Width 35.0625" Height 26.15625"	6.121	36.224"	24.332"	25.075"	Bottom Sash 6.377 Top Sash 5.960	6.121				
42 x 66 <sup>E</sup>	41.50" x 65.50"	Bottom Sash: Width 38.65625" Height 32.75"	Top Sash: Width 37.65625" Height 31.75"	Bottom Glass: Width 36.0625" Height 30.15625"	Top Glass: Width 35.0625" Height 29.15625"	6.876	36.224"	27.332"	19.075"	Bottom Sash 7.107 Top Sash 6.668	6.876				
42 x 72 <sup>E</sup>	41.50" x 71.50"	Bottom Sash: Width 38.65625" Height 35.75"	Top Sash: Width 37.65625" Height 34.75"	Bottom Glass: Width 36.0625" Height 33.15625"	Top Glass: Width 35.0625" Height 32.15625"	7.630	36.224"	30.332"	13.075"	Bottom Sash 7.837 Top Sash 7.377	7.630				
42 x 78 <sup>E</sup>	41.50" x 77.50"	Bottom Sash: Width 38.65625" Height 38.75"	Top Sash: Width 37.65625" Height 37.75"	Bottom Glass: Width 36.0625" Height 36.15625"	Top Glass: Width 35.0625" Height 35.15625"	7.913	36.224"	31.457" <sup>1</sup>	7.075"	Bottom Sash 8.568 Top Sash 8.087	7.913				

<sup>1</sup> Maximum travel is 31.457".

## Egress Data Windows & Doors

The following opening specifications have been provided to assist you in determining compliance to Egress codes based on BOCA and UBC code requirements as follows.

Each criteria below must be met to be considered an egress window unit.

1. The units must be operable from the inside without the use of separate tools.
2. All egress from sleeping rooms must have a minimum net clear opening of 5.7 square feet.
3. The minimum net clear opening height dimension shall be 24".  
The minimum net clear opening width dimension shall be 20".
4. The Floor To Sill Height Column is calculated by measuring from the clear opening sill (when unit is open) to the floor. This height cannot be more than 44" above the floor.

- Calculations based on 82 1/2" header height.
- Calculations based on 50/50 Sash Split.
- E meets Egress
- Charts can be used are for all glass types available.

## Light, Vent & Egress Data

### 48 Callout width

CALLOUT & R. O.	BASIC UNIT SIZE (WIDTH & HEIGHT)	SASH SIZE (WIDTH & HEIGHT)				GLASS SIZE (WIDTH & HEIGHT)				EGRESS DATA				LIGHT	VENT
		Bottom Sash: Width 44.65625" Height 14.75"	Top Sash: Width 43.65625" Height 13.75"	Bottom Glass: Width 42.0625" Height 12.15625"	Top Glass: Width 41.0625" Height 11.15625"	TOTAL SQ. FT. CLEAR OPENING (Minimum 5.7 sq ft)	CLEAR OPENING WIDTH (Minimum 20")	CLEAR OPENING HEIGHT (Minimum 24")	FLOOR TO SILL HEIGHT (Can not exceed 44")	DAYLIGHT OPENING SQ. FT. Per Sash	VENTILATION SQ. FT.				
48 x 30	47.50" x 29.50"	Bottom Sash: Width 44.65625" Height 14.75"	Top Sash: Width 43.65625" Height 13.75"	Bottom Glass: Width 42.0625" Height 12.15625"	Top Glass: Width 41.0625" Height 11.15625"	2.736	42.224"	9.332"	55.075"	Bottom Sash 3.190 Top Sash 2.834	2.736				
48 x 36	47.50" x 35.50"	Bottom Sash: Width 44.65625" Height 17.75"	Top Sash: Width 43.65625" Height 16.75"	Bottom Glass: Width 42.0625" Height 15.15625"	Top Glass: Width 41.0625" Height 14.15625"	3.616	42.224"	12.332"	49.075"	Bottom Sash 4.046 Top Sash 3.669	3.616				
48 x 42	47.50" x 41.50"	Bottom Sash: Width 44.65625" Height 20.75"	Top Sash: Width 43.65625" Height 19.75"	Bottom Glass: Width 42.0625" Height 18.15625"	Top Glass: Width 41.0625" Height 17.15625"	4.496	42.224"	15.332"	43.075"	Bottom Sash 4.901 Top Sash 4.504	4.496				
48 x 48	47.50" x 47.50"	Bottom Sash: Width 44.65625" Height 23.75"	Top Sash: Width 43.65625" Height 22.75"	Bottom Glass: Width 42.0625" Height 21.15625"	Top Glass: Width 41.0625" Height 20.15625"	5.375	42.224"	18.332"	37.075"	Bottom Sash 5.757 Top Sash 5.338	5.375				
48 x 54 <sup>2</sup>	47.50" x 53.50"	Bottom Sash: Width 44.65625" Height 26.75"	Top Sash: Width 43.65625" Height 25.75"	Bottom Glass: Width 42.0625" Height 24.15625"	Top Glass: Width 41.0625" Height 23.15625"	6.255**	42.224"	21.332" <sup>2</sup>	31.075"	Bottom Sash 6.612 Top Sash 6.173	6.255				
48 x 60 <sup>E</sup>	47.50" x 59.50"	Bottom Sash: Width 44.65625" Height 29.75"	Top Sash: Width 43.65625" Height 28.75"	Bottom Glass: Width 42.0625" Height 27.15625"	Top Glass: Width 41.0625" Height 26.15625"	7.135	42.224"	24.332"	25.075"	Bottom Sash 7.468 Top Sash 7.007	7.135				
48 x 66 <sup>E</sup>	47.50" x 65.50"	Bottom Sash: Width 44.65625" Height 32.75"	Top Sash: Width 43.65625" Height 31.75"	Bottom Glass: Width 42.0625" Height 30.15625"	Top Glass: Width 41.0625" Height 29.15625"	8.014	42.224"	27.332"	19.075"	Bottom Sash 8.323 Top Sash 7.842	8.014				
48 x 72 <sup>E</sup>	47.50" x 71.50"	Bottom Sash: Width 44.65625" Height 35.75"	Top Sash: Width 43.65625" Height 34.75"	Bottom Glass: Width 42.0625" Height 33.15625"	Top Glass: Width 41.0625" Height 32.15625"	8.894	42.224"	30.332"	13.075"	Bottom Sash 9.178 Top Sash 8.677	8.894				
48 x 78 <sup>E</sup>	47.50" x 77.50"	Bottom Sash: Width 44.65625" Height 38.75"	Top Sash: Width 43.65625" Height 37.75"	Bottom Glass: Width 42.0625" Height 36.15625"	Top Glass: Width 41.0625" Height 35.15625"	9.224	42.224"	31.457" <sup>1</sup>	7.075"	Bottom Sash 10.034 Top Sash 9.511	9.224				

<sup>1</sup> Maximum travel is 31.457".

<sup>2</sup> Please note 48 x 54 CALLOUT size does not meet egress due to the Clear Opening Height Minimum 24" rule is not met.

<b>2, 3 &amp; 4 WIDE CHART Page 1 of 2</b>	<b>Scale:</b> 1/2" = 1'-0"
<b>Date:</b> 02/2014	<b>Drawn By:</b> JJB

Overall basic unit widths are calculated with vertical 1/2" mull.

### 2 - WIDE

CALLOUT & ROUGH OPENING.	BASIC UNIT SIZE (WIDTH & HEIGHT)
24 x 30 - 2W	47.50" x 29.50"
24 x 36 - 2W	47.50" x 35.50"
24 x 42 - 2W	47.50" x 41.50"
24 x 48 - 2W	47.50" x 47.50"
24 x 54 - 2W	47.50" x 53.50"
24 x 60 - 2W	47.50" x 59.50"
24 x 66 - 2W	47.50" x 65.50"
24 x 72 - 2W	47.50" x 71.50"
24 x 78 - 2W	47.50" x 77.50"

CALLOUT & R.O.	BASIC UNIT SIZE (WIDTH & HEIGHT)
42 x 30 - 2W	83.50" x 29.50"
42 x 36 - 2W	83.50" x 35.50"
42 x 42 - 2W	83.50" x 41.50"
42 x 48 - 2W	83.50" x 47.50"
42 x 54 - 2W	83.50" x 53.50"
<b>42 x 60 - 2W<sup>E</sup></b>	83.50" x 59.50"
<b>42 x 66 - 2W<sup>E</sup></b>	83.50" x 65.50"
<b>42 x 72 - 2W<sup>E</sup></b>	83.50" x 71.50"
<b>42 x 78 - 2W<sup>E</sup></b>	83.50" x 77.50"

CALLOUT & ROUGH OPENING.	BASIC UNIT SIZE (WIDTH & HEIGHT)
30 x 30 - 2W	59.50" x 29.50"
30 x 36 - 2W	59.50" x 35.50"
30 x 42 - 2W	59.50" x 41.50"
30 x 48 - 2W	59.50" x 47.50"
30 x 54 - 2W	59.50" x 53.50"
30 x 60 - 2W	59.50" x 59.50"
30 x 66 - 2W	59.50" x 65.50"
30 x 72 - 2W	59.50" x 71.50"
30 x 78 - 2W	59.50" x 77.50"

CALLOUT & R.O.	BASIC UNIT SIZE (WIDTH & HEIGHT)
48 x 30 - 2W	95.50" x 29.50"
48 x 36 - 2W	95.50" x 35.50"
48 x 42 - 2W	95.50" x 41.50"
48 x 48 - 2W	95.50" x 47.50"
48 x 54 - 2W	95.50" x 53.50"
<b>48 x 60 - 2W<sup>E</sup></b>	95.50" x 59.50"
<b>48 x 66 - 2W<sup>E</sup></b>	95.50" x 65.50"
<b>48 x 72 - 2W<sup>E</sup></b>	95.50" x 71.50"
<b>48 x 78 - 2W<sup>E</sup></b>	95.50" x 77.50"

CALLOUT & ROUGH OPENING.	BASIC UNIT SIZE (WIDTH & HEIGHT)
36 x 30 - 2W	71.50" x 29.50"
36 x 36 - 2W	71.50" x 35.50"
36 x 42 - 2W	71.50" x 41.50"
36 x 48 - 2W	71.50" x 47.50"
36 x 54 - 2W	71.50" x 53.50"
36 x 60 - 2W	71.50" x 59.50"
<b>36 x 66 - 2W<sup>E</sup></b>	71.50" x 65.50"
<b>36 x 72 - 2W<sup>E</sup></b>	71.50" x 71.50"
<b>36 x 78 - 2W<sup>E</sup></b>	71.50" x 77.50"

\*\* Calculations based on 82 1/2" header height.

**E** meets Egress

<b>2, 3 &amp; 4 WIDE CHART</b> Page 2 of 2	<b>Scale:</b> 1/2" = 1'-0"
<b>Date:</b> 02/2014	<b>Drawn By:</b> JJB

Overall basic unit widths are calculated with vertical 1/2" mull.

### 3 - WIDE

CALLOUT & ROUGH OPENING.	BASIC UNIT SIZE (WIDTH & HEIGHT)
24 x 30 - 3W	71.50" x 29.50"
24 x 36 - 3W	71.50" x 35.50"
24 x 42 - 3W	71.50" x 41.50"
24 x 48 - 3W	71.50" x 47.50"
24 x 54 - 3W	71.50" x 53.50"
24 x 60 - 3W	71.50" x 59.50"
24 x 66 - 3W	71.50" x 65.50"
24 x 72 - 3W	71.50" x 71.50"
24 x 78 - 3W	71.50" x 77.50"

### 3 - WIDE

CALLOUT & R.O.	BASIC UNIT SIZE (WIDTH & HEIGHT)
42 x 30 - 3W	125.50" x 29.50"
42 x 36 - 3W	125.50" x 35.50"
42 x 42 - 3W	125.50" x 41.50"
42 x 48 - 3W	125.50" x 47.50"
42 x 54 - 3W	125.50" x 53.50"
<b>42 x 60 - 3W<sup>E</sup></b>	125.50" x 59.50"
<b>42 x 66 - 3W<sup>E</sup></b>	125.50" x 65.50"
<b>42 x 72 - 3W<sup>E</sup></b>	125.50" x 71.50"
<b>42 x 78 - 3W<sup>E</sup></b>	125.50" x 77.50"

CALLOUT & ROUGH OPENING.	BASIC UNIT SIZE (WIDTH & HEIGHT)
30 x 30 - 3W	89.50" x 29.50"
30 x 36 - 3W	89.50" x 35.50"
30 x 42 - 3W	89.50" x 41.50"
30 x 48 - 3W	89.50" x 47.50"
30 x 54 - 3W	89.50" x 53.50"
30 x 60 - 3W	89.50" x 59.50"
30 x 66 - 3W	89.50" x 65.50"
30 x 72 - 3W	89.50" x 71.50"
30 x 78 - 3W	89.50" x 77.50"

CALLOUT & R.O.	BASIC UNIT SIZE (WIDTH & HEIGHT)
48 x 30 - 3W	143.50" x 29.50"
48 x 36 - 3W	143.50" x 35.50"
48 x 42 - 3W	143.50" x 41.50"
48 x 48 - 3W	143.50" x 47.50"
48 x 54 - 3W	143.50" x 53.50"
<b>48 x 60 - 3W<sup>E</sup></b>	143.50" x 59.50"
<b>48 x 66 - 3W<sup>E</sup></b>	143.50" x 65.50"
<b>48 x 72 - 3W<sup>E</sup></b>	143.50" x 71.50"
<b>48 x 78 - 3W<sup>E</sup></b>	143.50" x 77.50"

CALLOUT & ROUGH OPENING.	BASIC UNIT SIZE (WIDTH & HEIGHT)
36 x 30 - 3W	107.50" x 29.50"
36 x 36 - 3W	107.50" x 35.50"
36 x 42 - 3W	107.50" x 41.50"
36 x 48 - 3W	107.50" x 47.50"
36 x 54 - 3W	107.50" x 53.50"
36 x 60 - 3W	107.50" x 59.50"
<b>36 x 66 - 3W<sup>E</sup></b>	107.50" x 65.50"
<b>36 x 72 - 3W<sup>E</sup></b>	107.50" x 71.50"
<b>36 x 78 - 3W<sup>E</sup></b>	107.50" x 77.50"

\*\* Calculations based on 82 1/2" header height.  
E meets Egress

<b>Elevations</b> Page 1 of 5	<b>Scale:</b> 1/2" = 1'-0"
<b>Date:</b> 02/2014	<b>Drawn By:</b> JJB

24  
CALLOUT  
WIDTH

30  
CALLOUT  
WIDTH

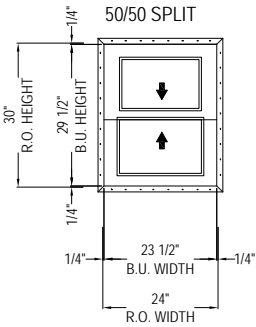
36  
CALLOUT  
WIDTH

42  
CALLOUT  
WIDTH

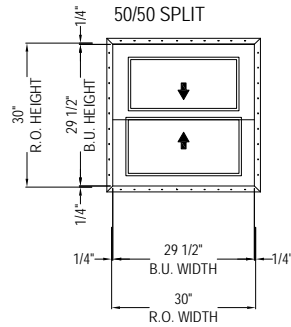
48  
CALLOUT  
WIDTH

30  
CALLOUT  
HEIGHT

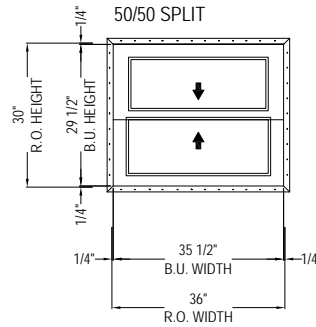
**24X30 CALLOUT**  
50/50 SPLIT



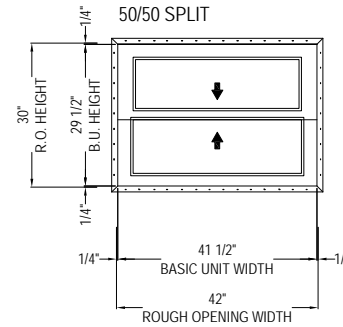
**30X30 CALLOUT**  
50/50 SPLIT



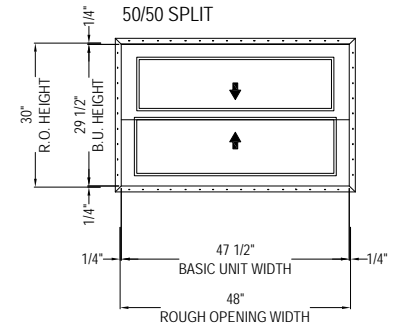
**36X30 CALLOUT**  
50/50 SPLIT



**42X30 CALLOUT**  
50/50 SPLIT

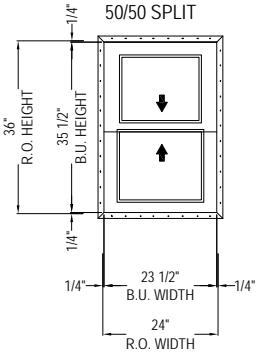


**48X30 CALLOUT**  
50/50 SPLIT

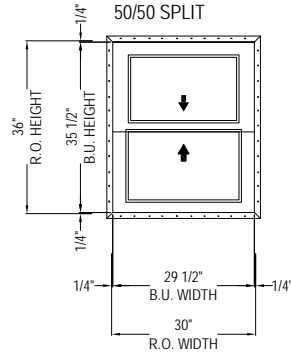


36  
CALLOUT  
HEIGHT

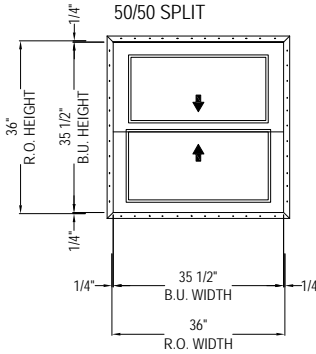
**24X36 CALLOUT**  
50/50 SPLIT



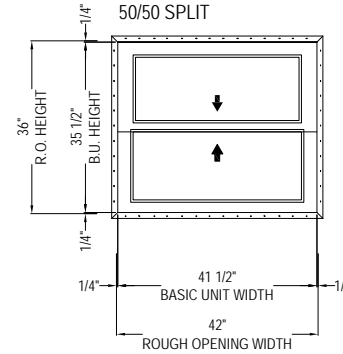
**30X36 CALLOUT**  
50/50 SPLIT



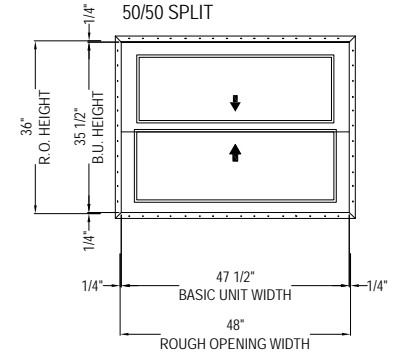
**36X36 CALLOUT**  
50/50 SPLIT



**42X36 CALLOUT**  
50/50 SPLIT

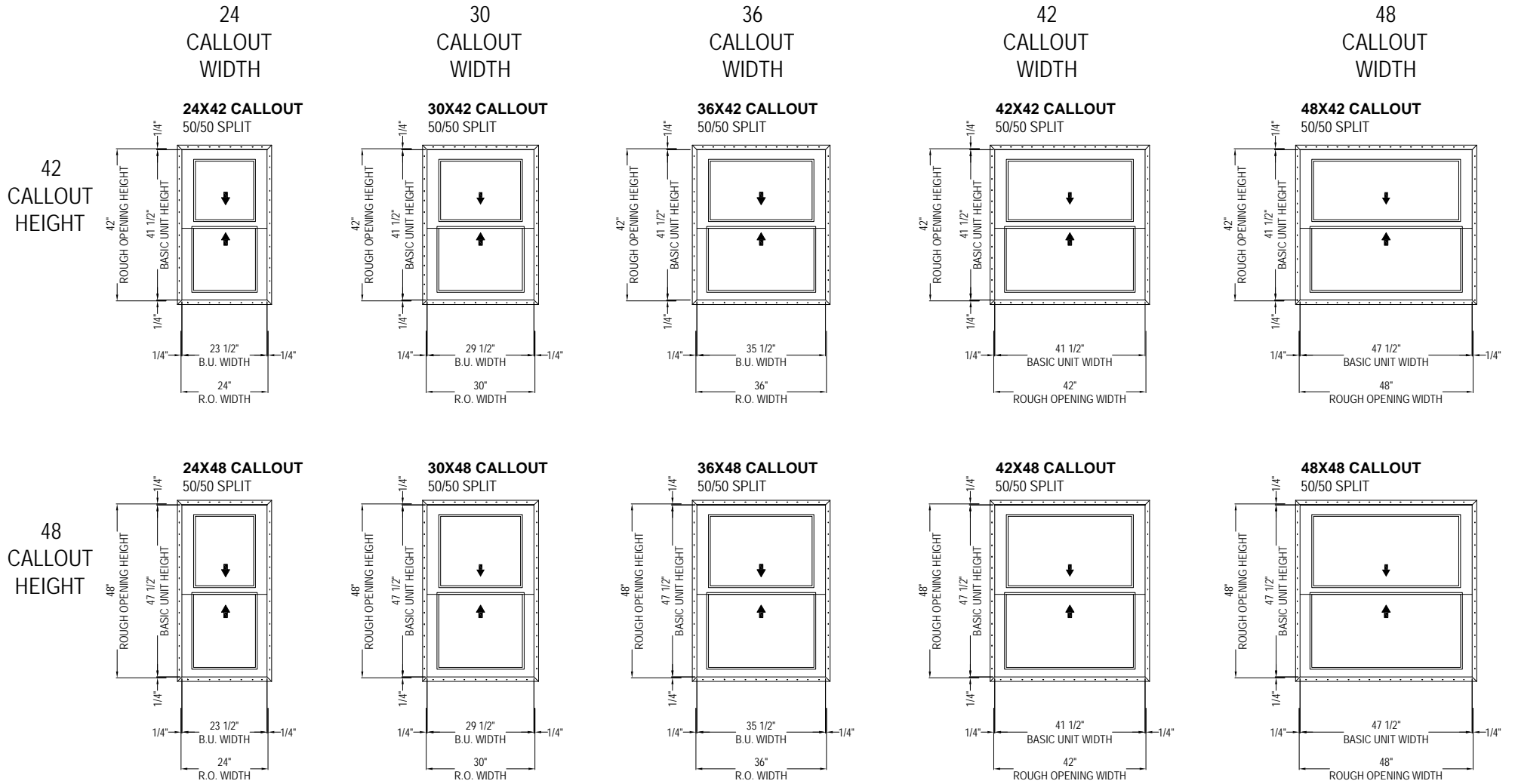


**48X36 CALLOUT**  
50/50 SPLIT

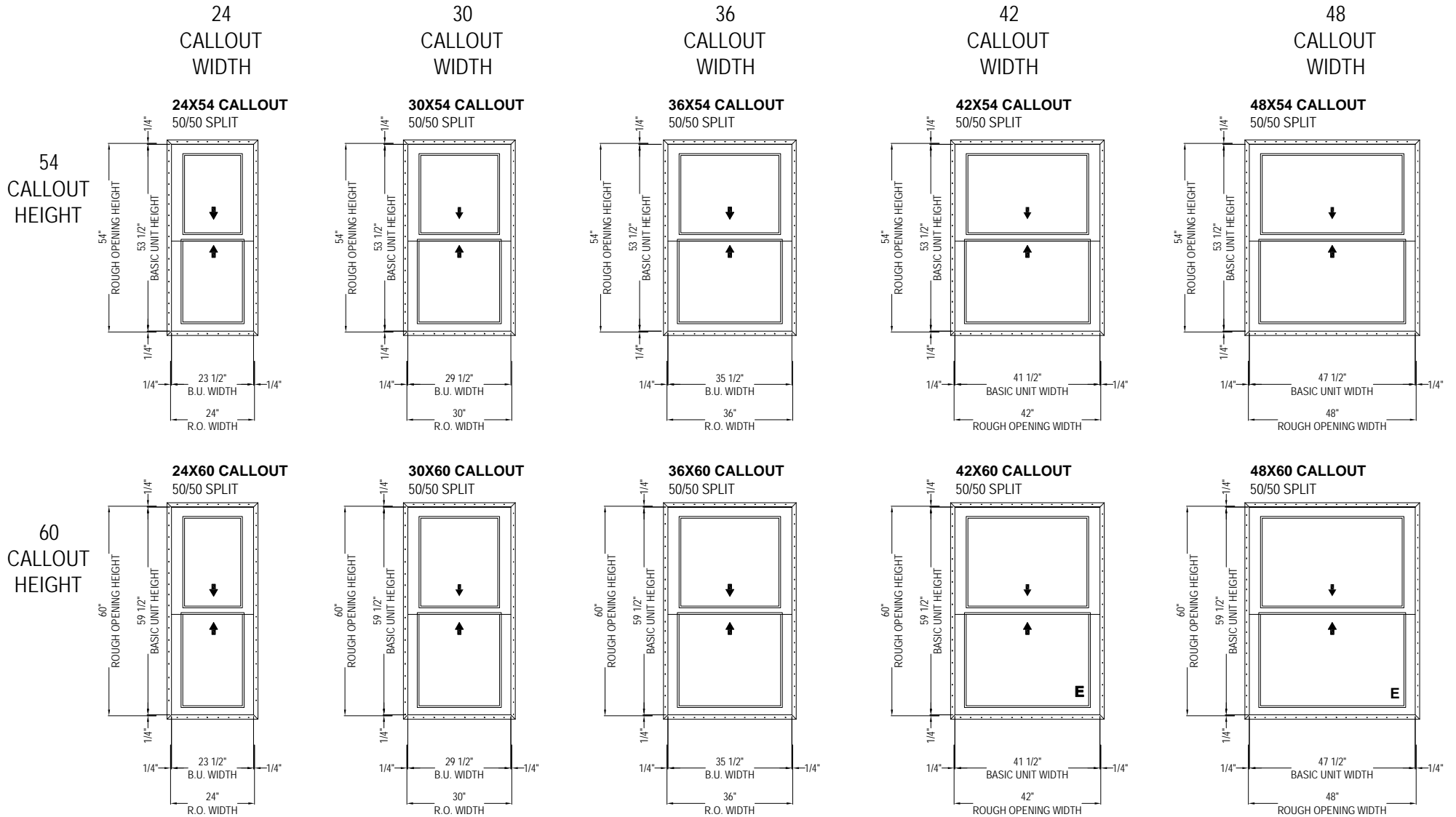




<b>Elevations</b> Page 2 of 5	<b>Scale:</b> 1/2" = 1'-0"
<b>Date:</b> 02/2014	<b>Drawn By:</b> JJB

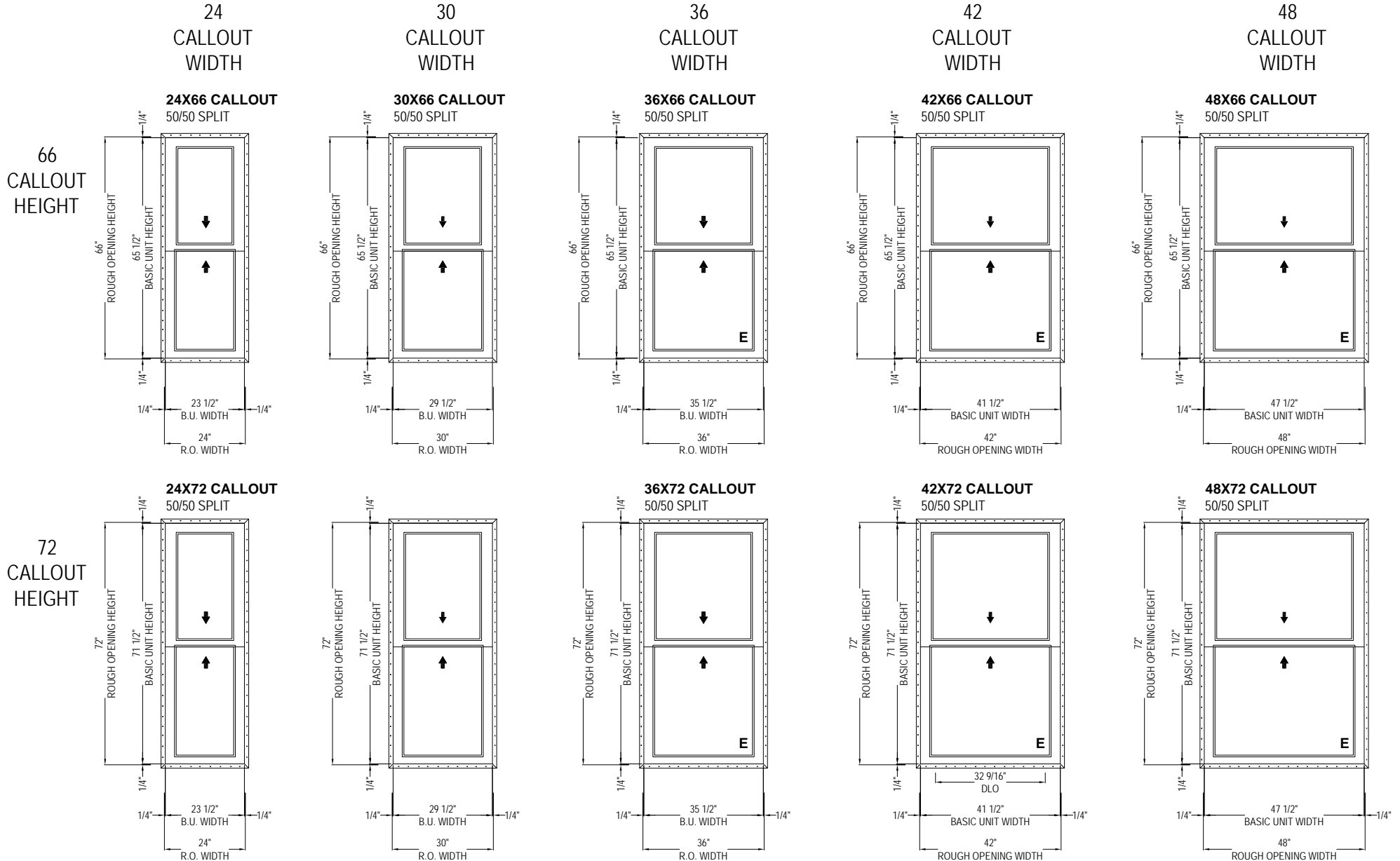


<b>Elevations</b> Page 3 of 5	<b>Scale:</b> 1/2" = 1'-0"
<b>Date:</b> 02/2014	<b>Drawn By:</b> JJB



**Egress:**  
E Will Meet Egress

<b>Elevations</b> Page 4 of 5	<b>Scale:</b> 1/2" = 1'-0"
<b>Date:</b> 02/2014	<b>Drawn By:</b> JJB



**Egress:**  
**E** Will Meet Egress

# Premium Double Hung Windows

<b>Elevations</b> Page 5 of 5	<b>Scale:</b> 1/2" = 1'-0"
<b>Date:</b> 02/2014	<b>Drawn By:</b> JJB

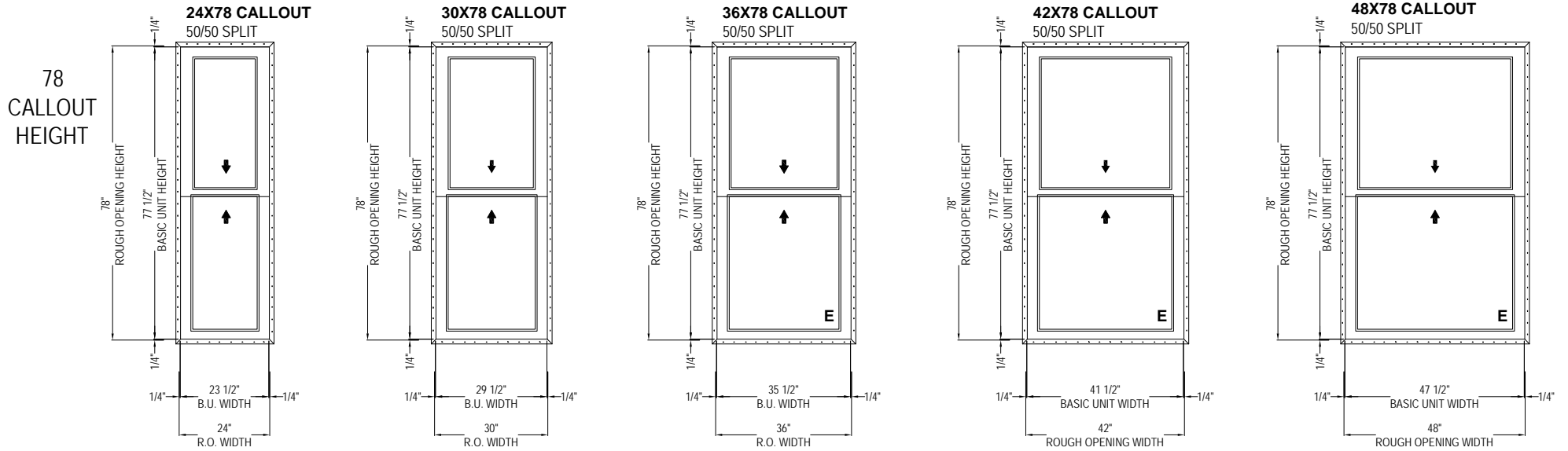
24  
CALLOUT  
WIDTH

30  
CALLOUT  
WIDTH

36  
CALLOUT  
WIDTH

42  
CALLOUT  
WIDTH

48  
CALLOUT  
WIDTH



**Egress:**

E Will Meet Egress