

SUPERSEAL[®]

Windows & Doors

Designers' Triple Slider Window Elevations

Standard Sash Split

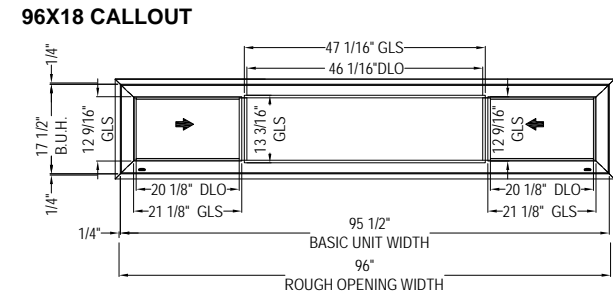
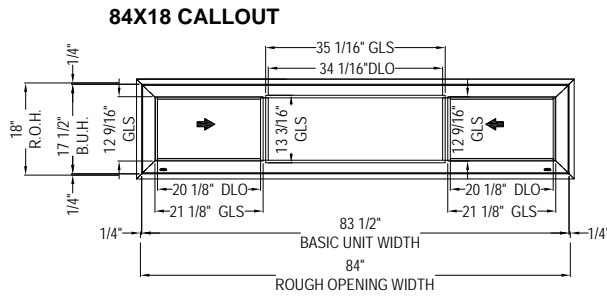
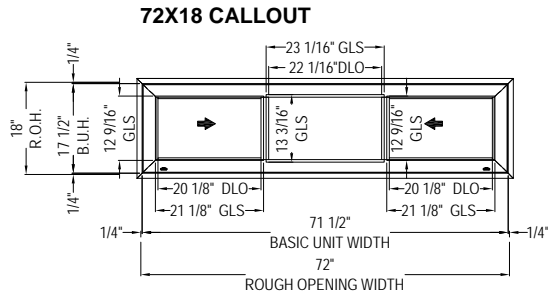
Elevations Page 1 of 3	Scale: NA
Date: 09/2014	Drawn By: JJB

72 CALLOUT WIDTH

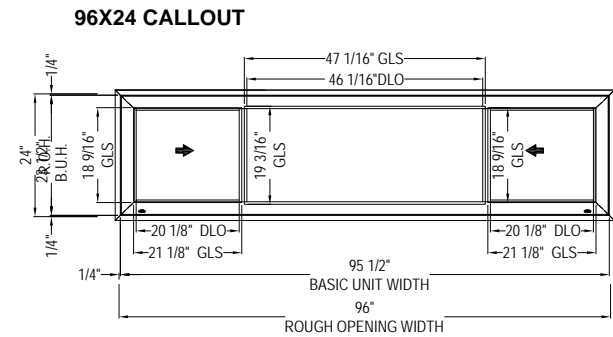
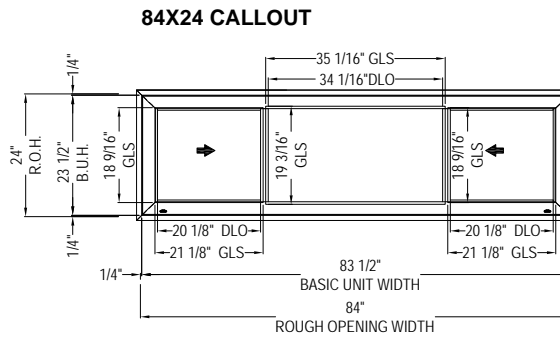
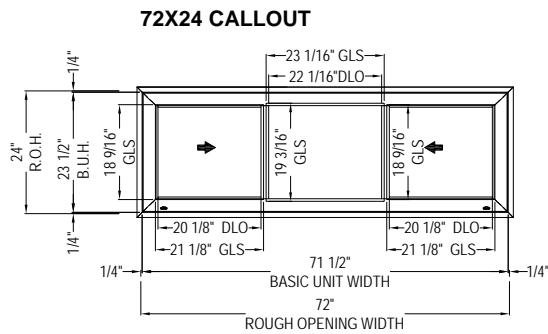
84 CALLOUT WIDTH

96 CALLOUT WIDTH

18
CALLOUT
HEIGHT



24
CALLOUT
HEIGHT



Daylight Opening Sizing Formulas, Each Sash

- Glass Width - 1.00"
- Glass Height - 1.00"

Sizing Formulas

3 - Wide Units - Standard

$$\begin{aligned} \text{BU} &= (21.125" \times 2) + \text{FIXED GLASS} + 6.1875" \\ \text{SASH WIDTH} &= (\text{SASH GLASS} + 1.6875") \\ \text{SASH GLASS} &= 21.125" \\ \text{FIXED GLASS} &= (\text{BU} - (21.125" \times 2)) - 6.1875" \\ \text{SCREEN} &= (\text{SASH GLASS} + .0625") \end{aligned}$$

Standard Sash Split

Elevations Page 2 of 3	Scale: NA
Date: 09/2014	Drawn By: JJB

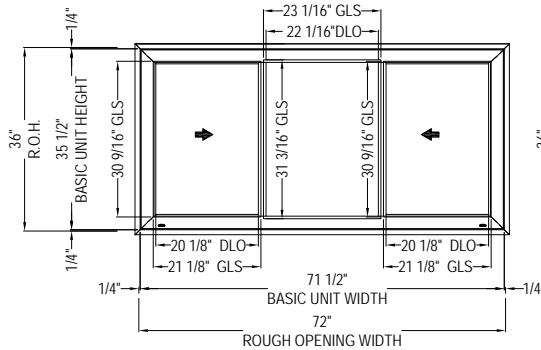
72 CALLOUT WIDTH

84 CALLOUT WIDTH

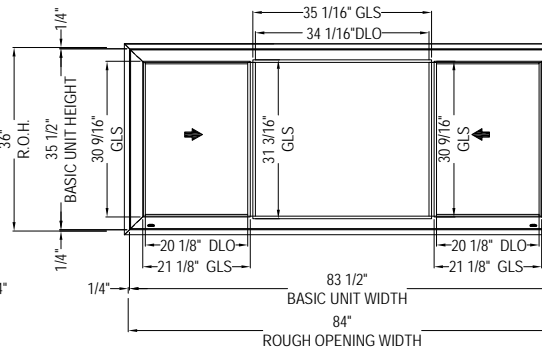
96 CALLOUT WIDTH

36
CALLOUT
HEIGHT

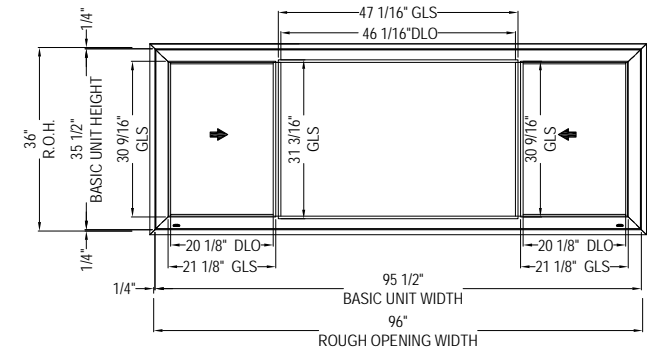
72X36 CALLOUT



84X36 CALLOUT

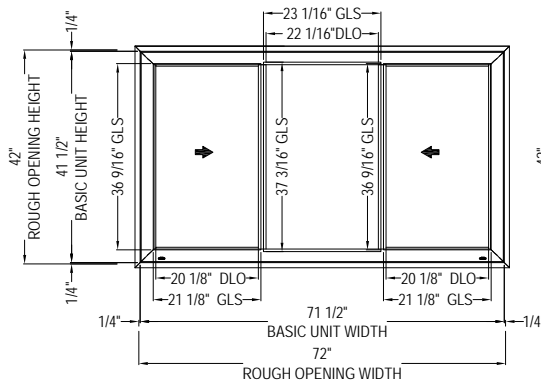


96X36 CALLOUT

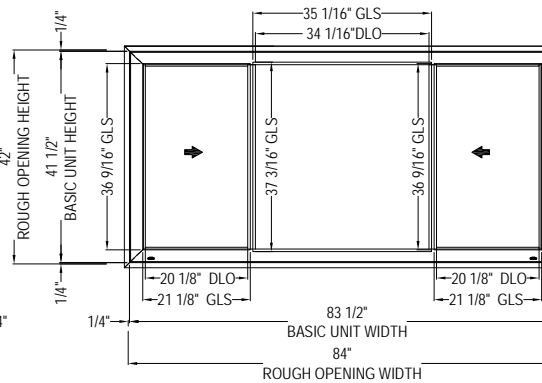


42
CALLOUT
HEIGHT

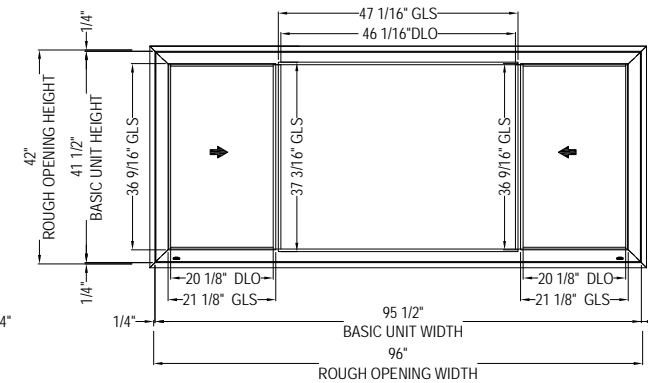
72X42 CALLOUT



84X42 CALLOUT



96X42 CALLOUT



Daylight Opening Sizing Formulas, Each Sash

- Glass Width - 1.00"
- Glass Height - 1.00"

Sizing Formulas

3 - Wide Units - Standard

$$BU = (21.125" \times 2) + \text{FIXED GLASS} + 6.1875"$$

$$\text{SASH WIDTH} = (\text{SASH GLASS} + 1.6875")$$

$$\text{SASH GLASS} = 21.125"$$

$$\text{FIXED GLASS} = (BU - (21.125" \times 2)) - 6.1875"$$

$$\text{SCREEN} = (\text{SASH GLASS} + .0625")$$

Elevations Page 3 of 3	Scale: NA
Date: 09/2014	Drawn By: JJB

72 CALLOUT WIDTH

84 CALLOUT WIDTH

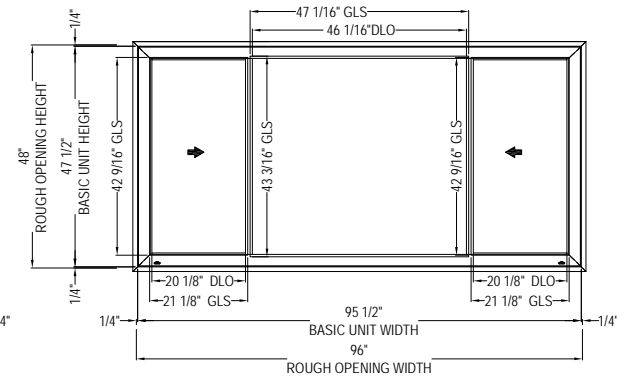
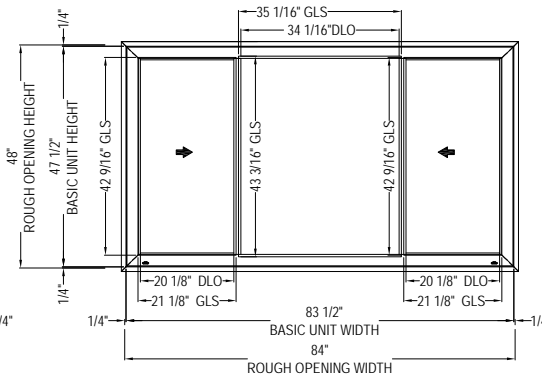
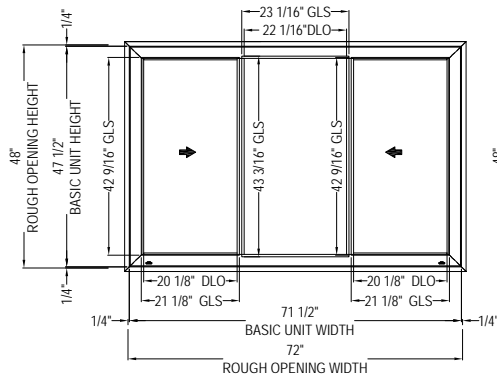
96 CALLOUT WIDTH

72X48 CALLOUT

84X48 CALLOUT

96X48 CALLOUT

48
CALLOUT
HEIGHT

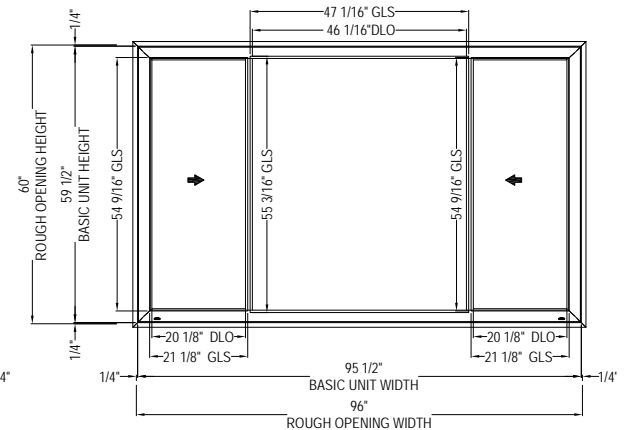
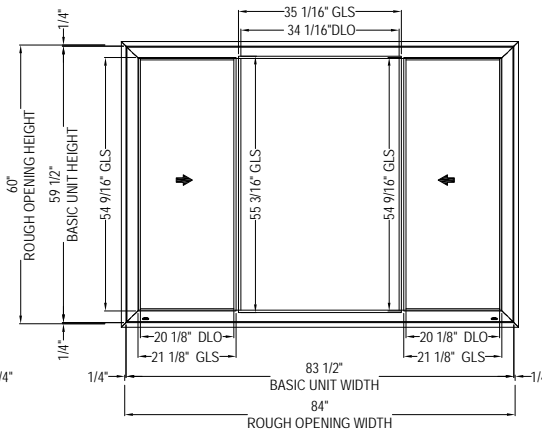
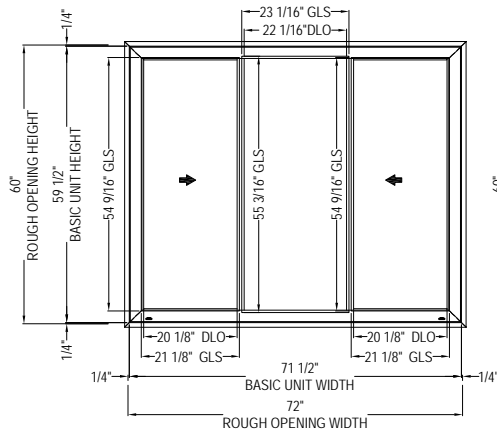


72X60 CALLOUT

84X60 CALLOUT

96X60 CALLOUT

60
CALLOUT
HEIGHT



Sizing Formulas 3 - Wide Units - Standard

Daylight Opening Sizing Formulas, Each Sash

- Glass Width - 1.00"
- Glass Height - 1.00"

$$\begin{aligned}
 BU &= (21.125" \times 2) + \text{FIXED GLASS} + 6.1875" \\
 \text{SASH WIDTH} &= (\text{SASH GLASS} + 1.6875") \\
 \text{SASH GLASS} &= 21.125" \\
 \text{FIXED GLASS} &= (BU - (21.125" \times 2) - 6.1875") \\
 \text{SCREEN} &= (\text{SASH GLASS} + .0625")
 \end{aligned}$$

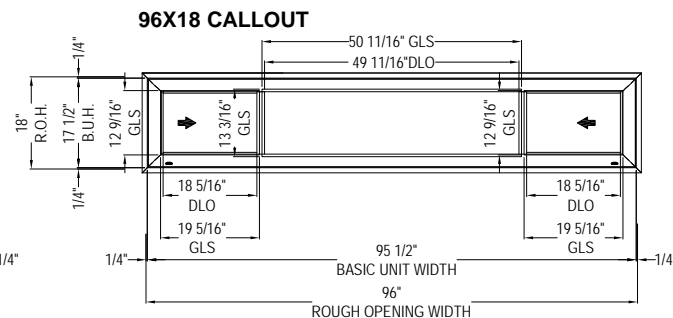
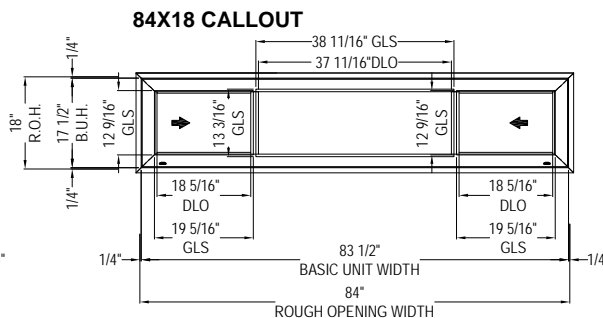
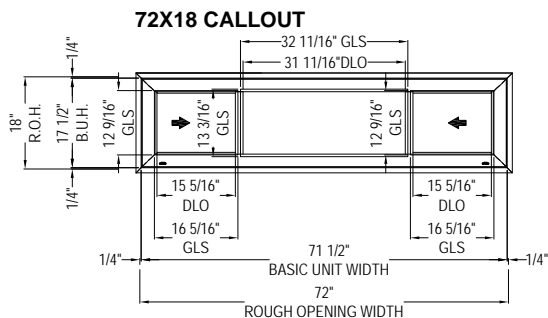
Elevations Page 1 of 3	Scale: NA
Date: 09/2014	Drawn By: JJB

72 CALLOUT WIDTH

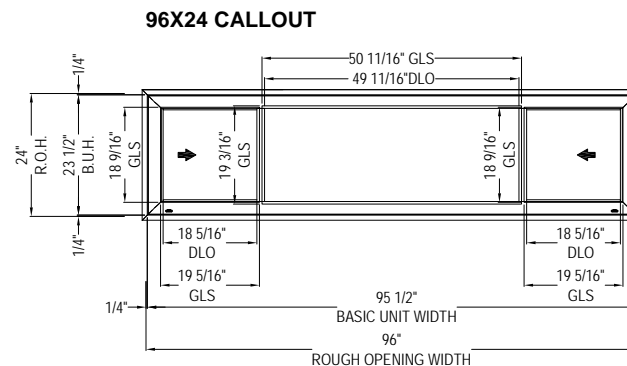
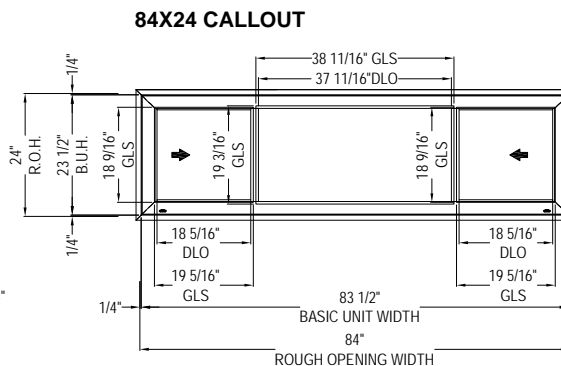
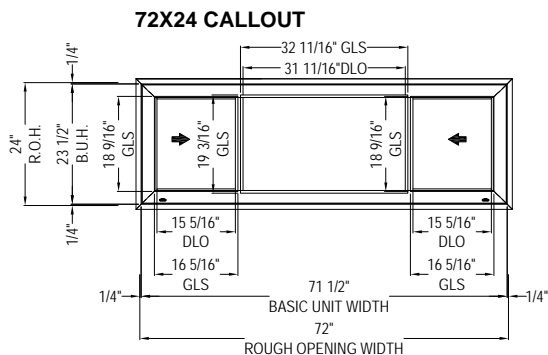
84 CALLOUT WIDTH

96 CALLOUT WIDTH

18
CALLOUT
HEIGHT



24
CALLOUT
HEIGHT



Daylight Opening Sizing Formulas, Each Sash

- Glass Width - 1.00"
- Glass Height - 1.00"

Sizing Formulas

3 - Wide Units - 1/4-1/2-1/4

$$BU = (\text{SASH GLASS} \times 4) + 6.1875"$$

$$\text{SASH WIDTH} = (\text{SASH GLASS} + 1.6875")$$

$$\text{SASH GLASS} = (BU - 6.1875") / 4$$

$$\text{FIXED GLASS} = (BU - 6.1875") / 2$$

$$\text{SCREEN} = (\text{SASH GLASS} + 0.0625")$$

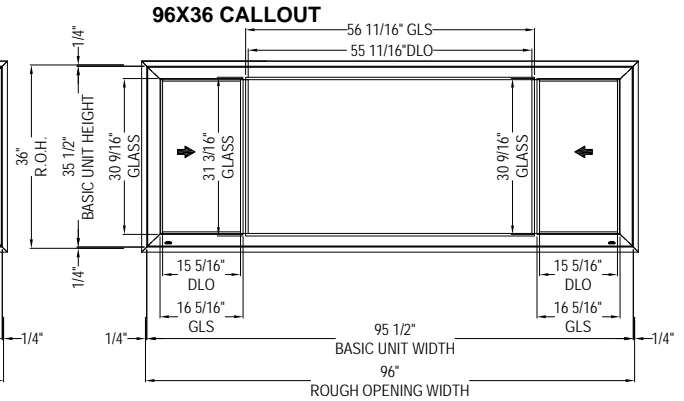
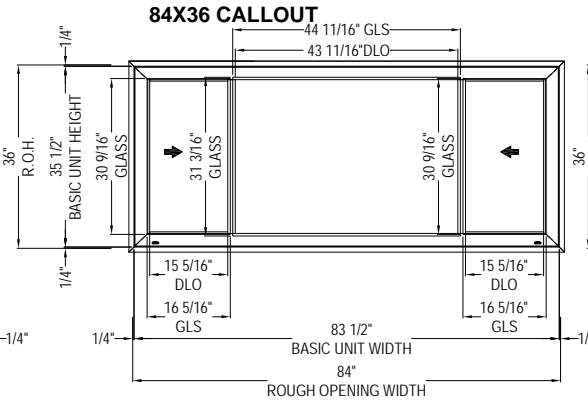
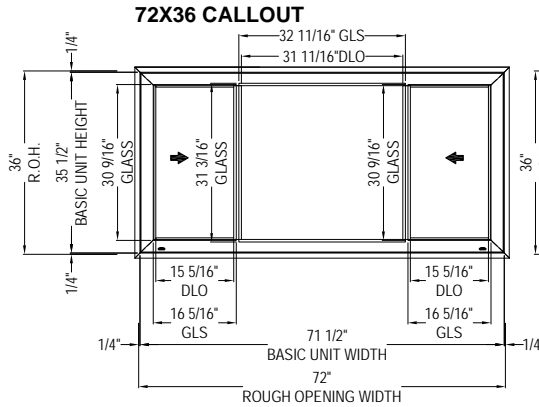
Elevations Page 2 of 3	Scale: NA
Date: 09/2014	Drawn By: JJB

72 CALLOUT WIDTH

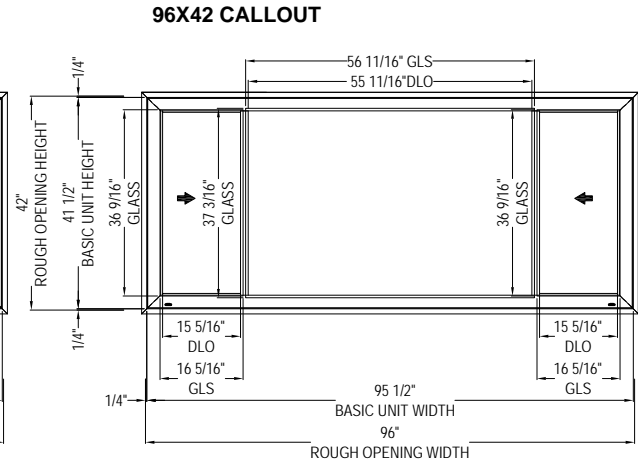
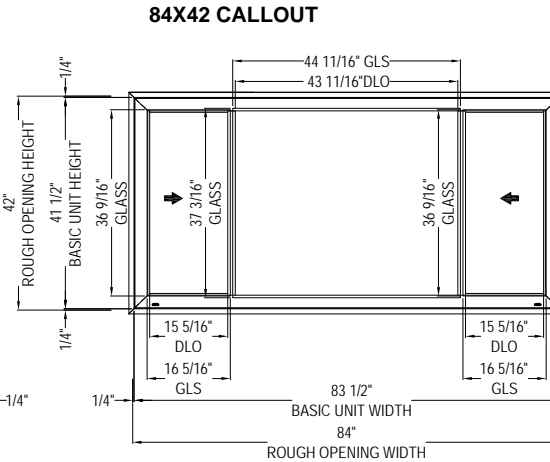
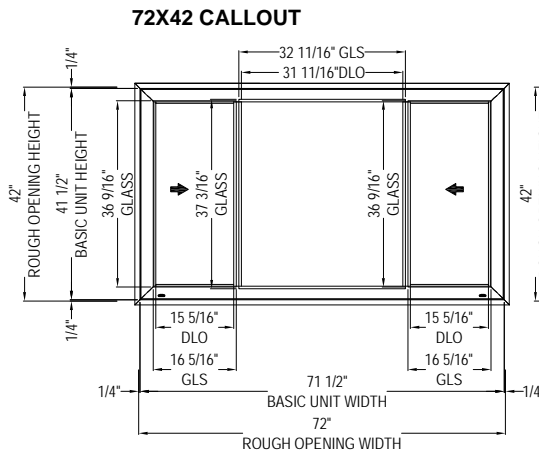
84 CALLOUT WIDTH

96 CALLOUT WIDTH

36
CALLOUT
HEIGHT



42
CALLOUT
HEIGHT



Sizing Formulas

3 - Wide Units - 1/4-1/2-1/4

Daylight Opening Sizing Formulas, Each Sash

- Glass Width - 1.00"
- Glass Height - 1.00"

$$BU = (\text{SASH GLASS} \times 4) + 6.1875"$$

$$\text{SASH WIDTH} = (\text{SASH GLASS} + 1.6875")$$

$$\text{SASH GLASS} = (BU - 6.1875") / 4$$

$$\text{FIXED GLASS} = (BU - 6.1875") / 2$$

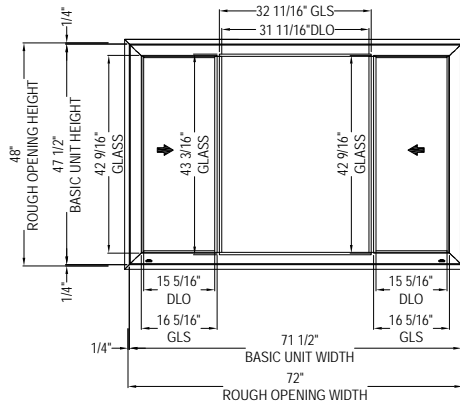
$$\text{SCREEN} = (\text{SASH GLASS} + 0.0625")$$

Elevations Page 3 of 3	Scale: NA
Date: 09/2014	Drawn By: JJB

48
CALLOUT
HEIGHT

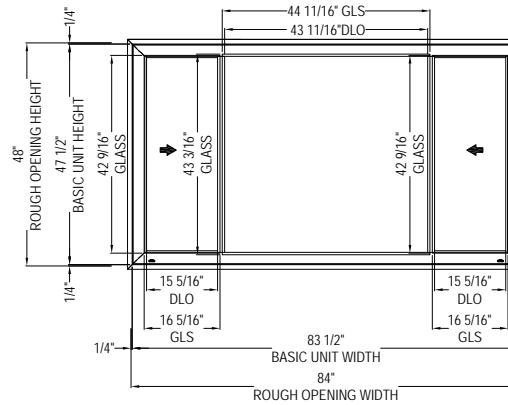
72 CALLOUT WIDTH

72X48 CALLOUT



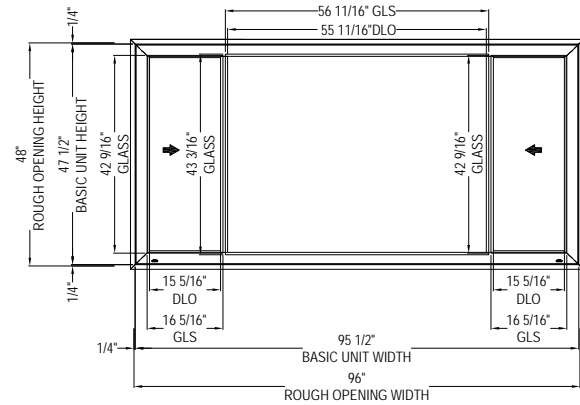
84 CALLOUT WIDTH

84X48 CALLOUT



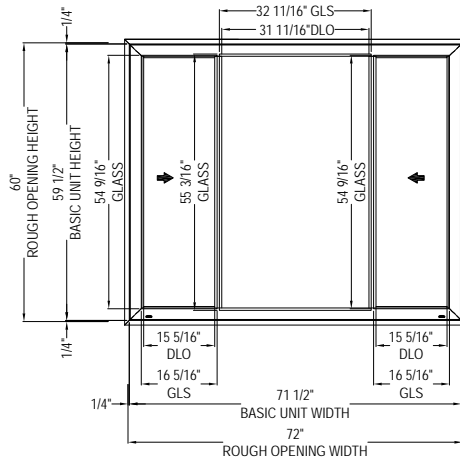
96 CALLOUT WIDTH

96X48 CALLOUT

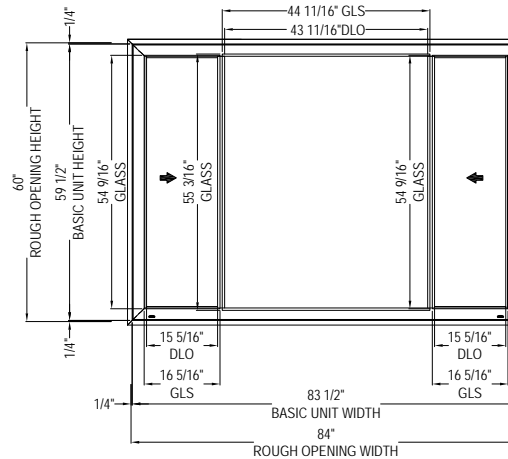


60
CALLOUT
HEIGHT

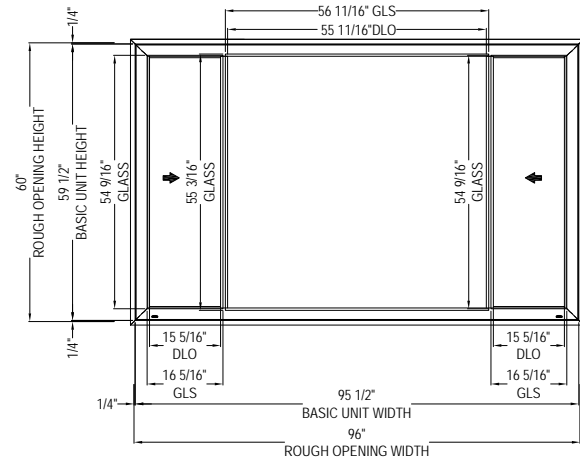
72X60 CALLOUT



84X60 CALLOUT



96X60 CALLOUT



Daylight Opening Sizing Formulas, Each Sash

- Glass Width - 1.00"
- Glass Height - 1.00"

Sizing Formulas

3 - Wide Units - 1/4-1/2-1/4

$$\begin{aligned}
 BU &= (\text{SASH GLASS} \times 4) + 6.1875'' \\
 \text{SASH WIDTH} &= (\text{SASH GLASS} + 1.6875'') \\
 \text{SASH GLASS} &= (BU - 6.1875'') / 4 \\
 \text{FIXED GLASS} &= (BU - 6.1875'') / 2
 \end{aligned}$$

$$\text{SCREEN} = (\text{SASH GLASS} + 0.0625'')$$

SUPERSEAL®

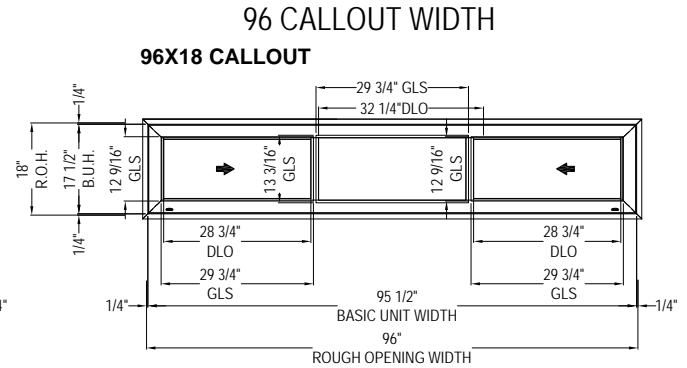
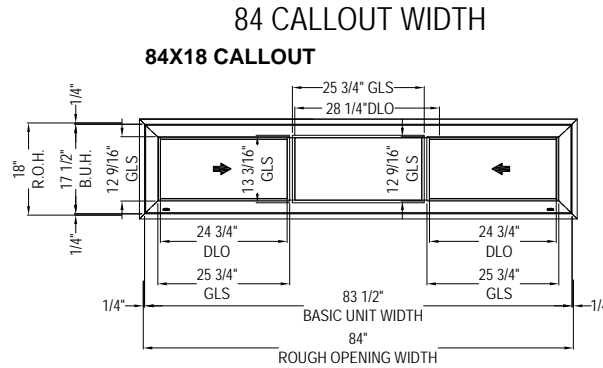
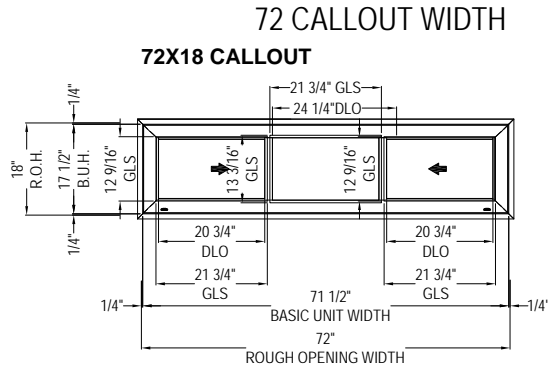
Windows & Doors

Designers' Triple Slider Window Elevations

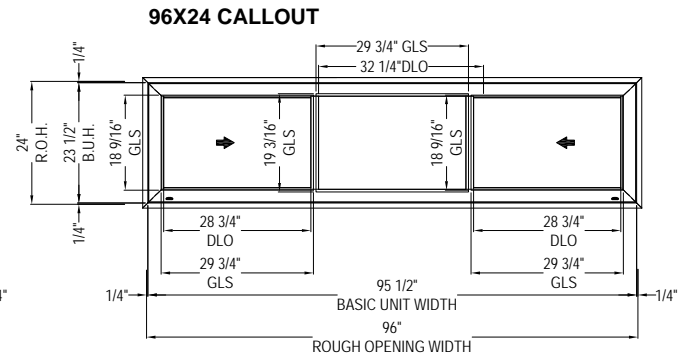
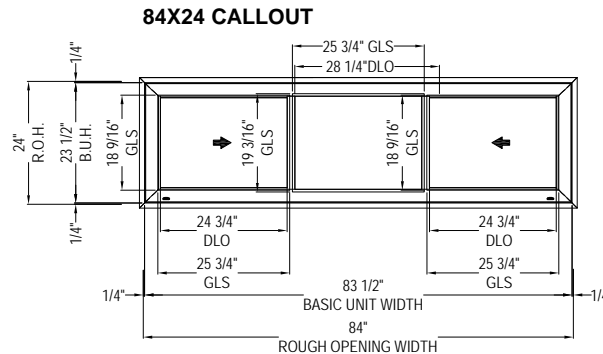
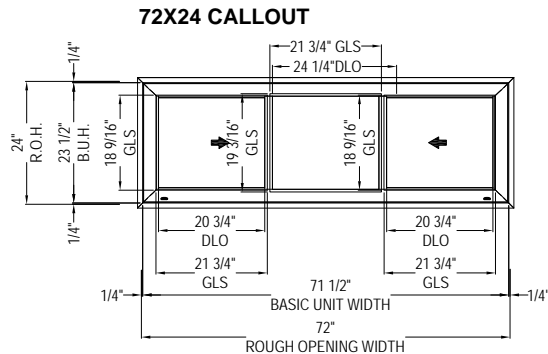
1/3 1/3 1/3 Sash Split

Elevations Page 1 of 3	Scale: NA
Date: 09/2014	Drawn By: JJB

18
CALLOUT
HEIGHT



24
CALLOUT
HEIGHT



Daylight Opening Sizing Formulas, Each Sash

- Glass Width - 1.00"
- Glass Height - 1.00"

Sizing Formulas

3 - Wide Units - 1/3-1/3-1/3

$$\begin{aligned} \text{BU} &= (\text{GLASS} \times 3) + 6.000" \\ \text{SASH WIDTH} &= (\text{SASH GLASS} + 1.656") \\ \text{SASH GLASS} &= (\text{BU} - 6.000") / 3 \\ \text{FIXED GLASS} &= (\text{BU} - 6.000") / 3 \end{aligned}$$

$$\text{SCREEN} = (\text{SASH GLASS} + 0.250")$$

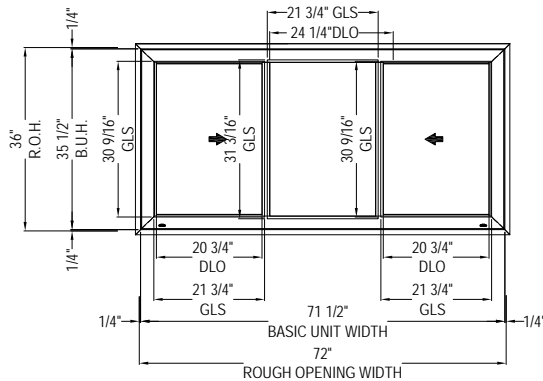
72 CALLOUT WIDTH

84 CALLOUT WIDTH

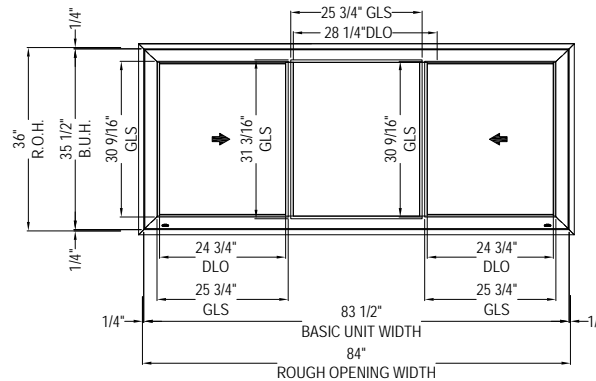
96 CALLOUT WIDTH

36
CALLOUT
HEIGHT

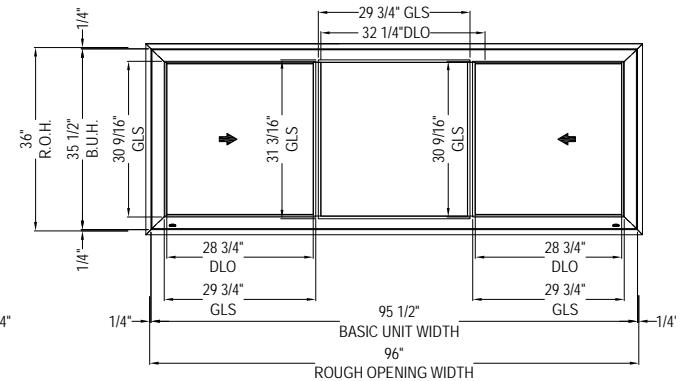
72X36 CALLOUT



84X36 CALLOUT

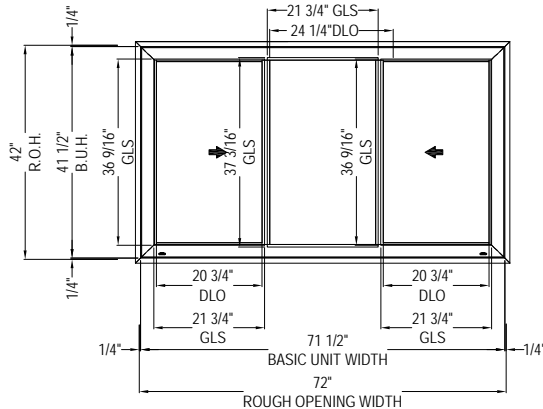


96X36 CALLOUT

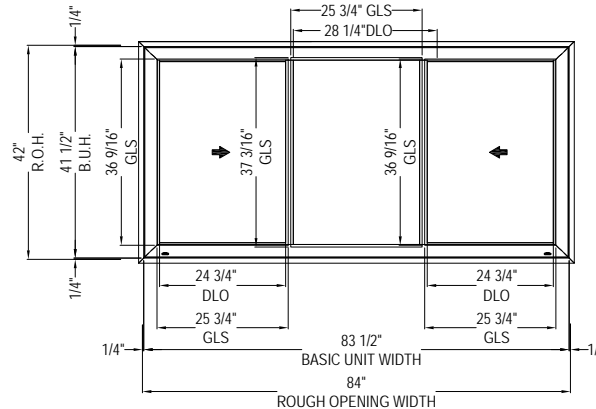


42
CALLOUT
HEIGHT

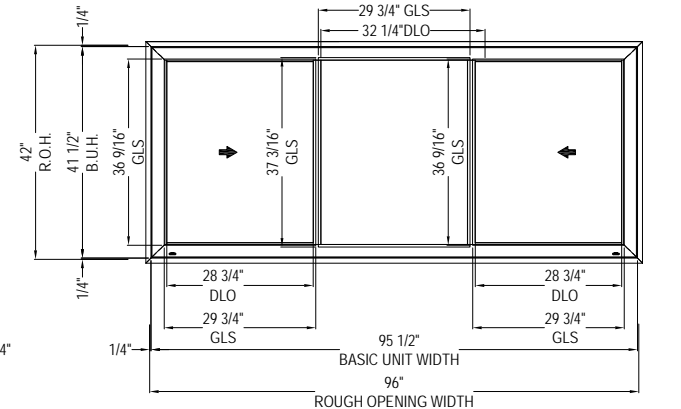
72X42 CALLOUT



84X42 CALLOUT



96X42 CALLOUT



Sizing Formulas 3 - Wide Units - 1/3-1/3-1/3

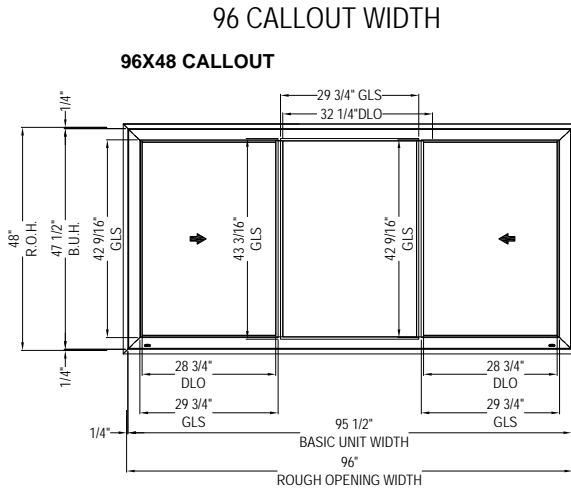
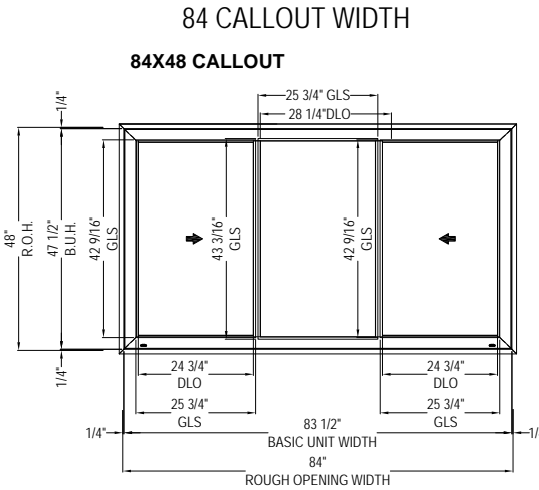
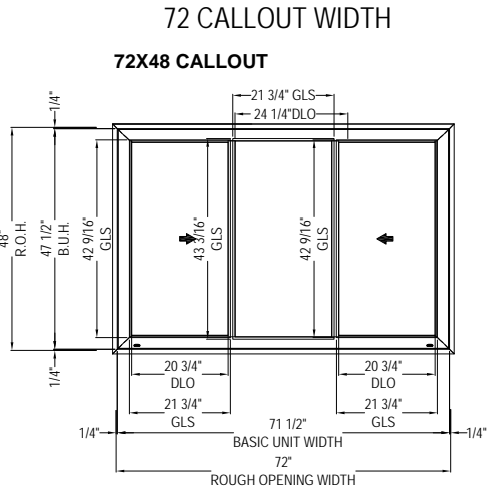
Daylight Opening Sizing Formulas, Each Sash

- Glass Width - 1.00"
- Glass Height - 1.00"

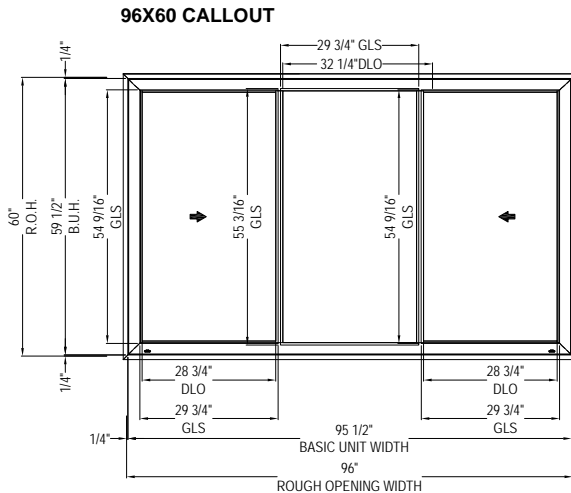
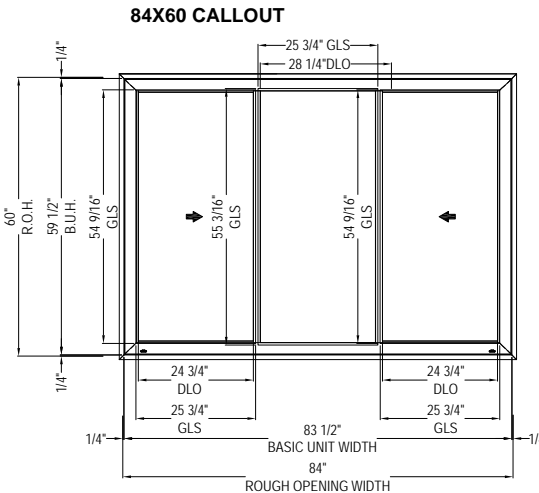
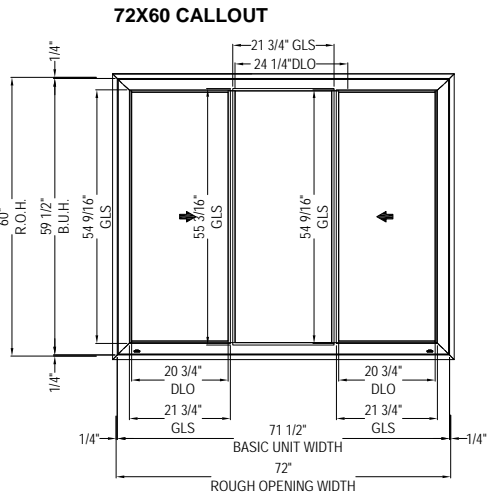
$$\begin{aligned} \text{BU} &= (\text{GLASS} \times 3) + 6.000'' \\ \text{SASH WIDTH} &= (\text{SASH GLASS} + 1.656'') \\ \text{SASH GLASS} &= (\text{BU} - 6.000'') / 3 \\ \text{FIXED GLASS} &= (\text{BU} - 6.000'') / 3 \\ \text{SCREEN} &= (\text{SASH GLASS} + 0.250'') \end{aligned}$$

Elevations Page 3 of 3	Scale: NA
Date: 09/2014	Drawn By: JJB

48
CALLOUT
HEIGHT



60
CALLOUT
HEIGHT



Daylight Opening Sizing Formulas, Each Sash

- Glass Width - 1.00"
- Glass Height - 1.00"

Sizing Formulas

3 - Wide Units - 1/3-1/3-1/3

$BU = (GLASS \times 3) + 6.000"$
 $SASH \ WIDTH = (SASH \ GLASS + 1.656")$
 $SASH \ GLASS = (BU - 6.000") / 3$
 $FIXED \ GLASS = (BU - 6.000") / 3$

$SCREEN = (SASH \ GLASS + 0.250")$