

Vinyl Builders' Single Hung Windows Parts Catalog

Screens - Page 2

Sash:

Glazing Bead - Page 3

Glazing Bead Sash Assembly- Page 3

Sash Top Rail Assembly - Page 4

Meeting Rail Assembly - Page 5

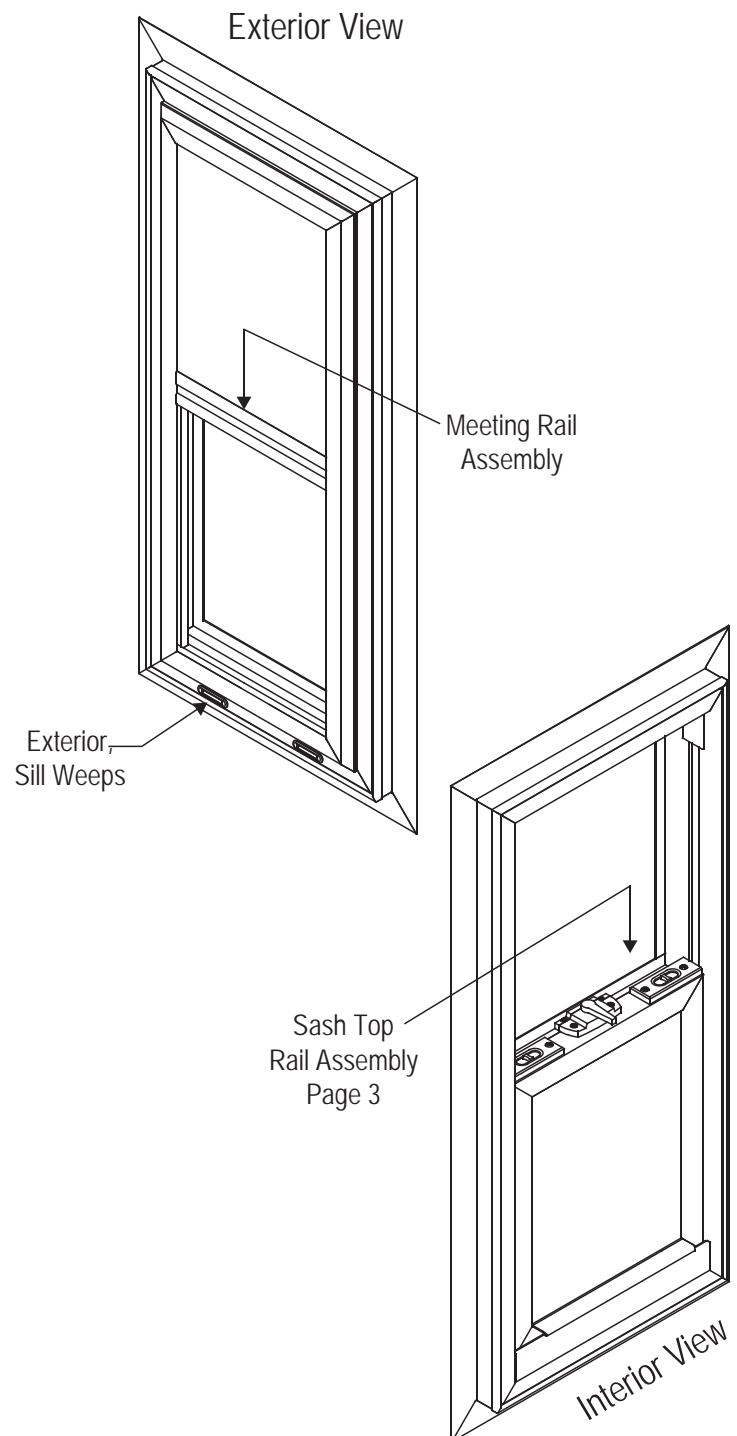
Sash Bottom Rail Assembly - Page 6

Frame:

Jamb Assembly - Page 7

Sill Weeps - Page 8

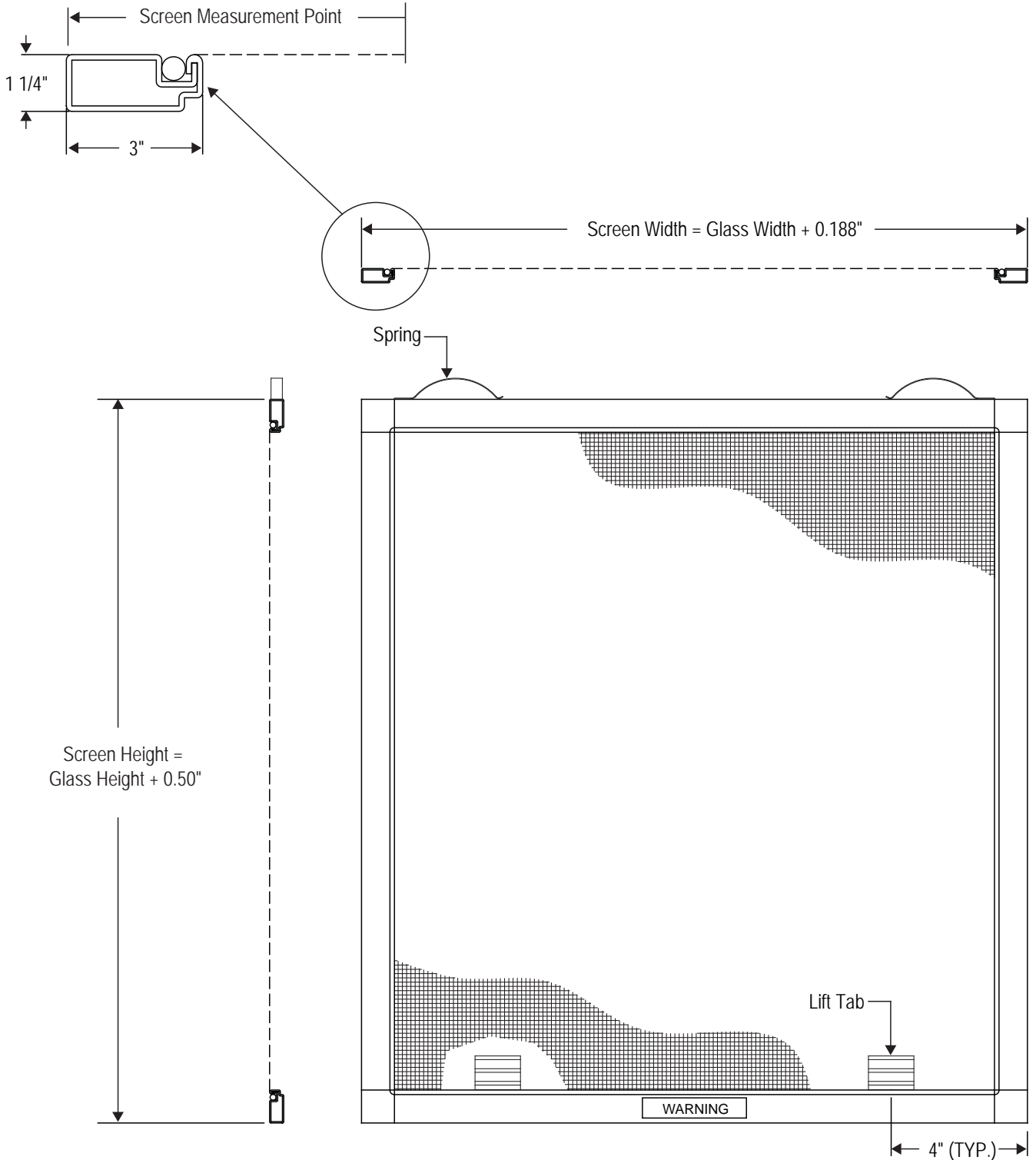
Accessories - Page 9



Half Screens

Notes:

1. Screen is a lift-in design with 2 springs (at top) & 2 lift tabs (at bottom)

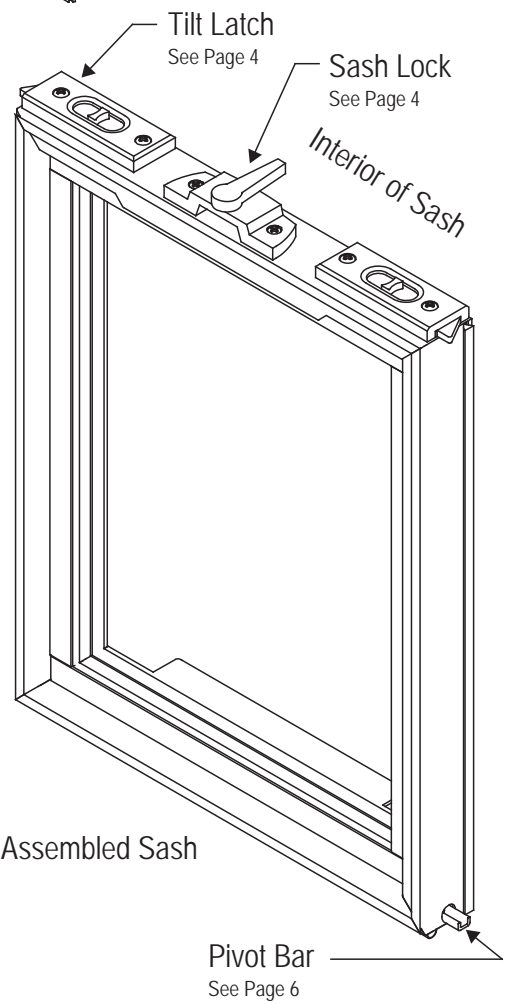
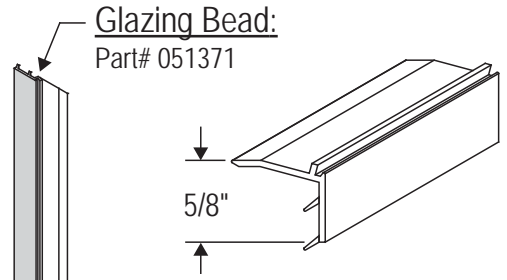
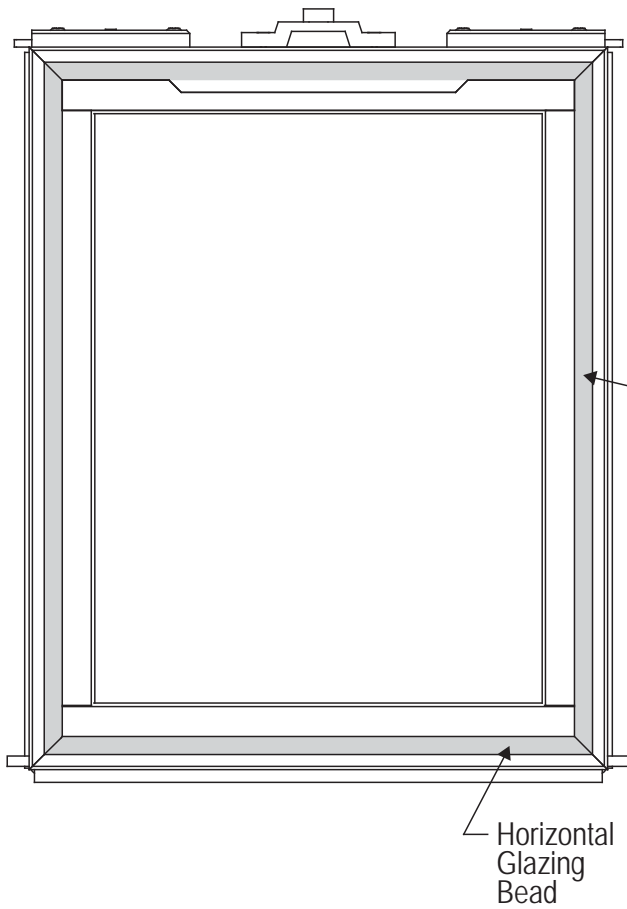


Builders' Single Hung Windows Replacement Parts

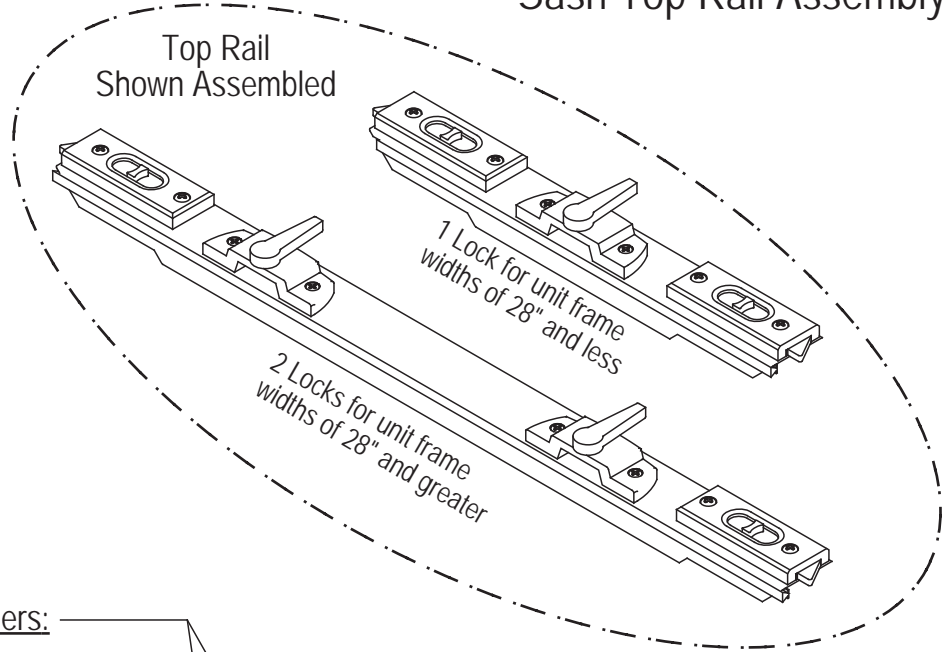


Windows & Doors

Glazing Bead, Sash Assembly



Sash Top Rail Assembly



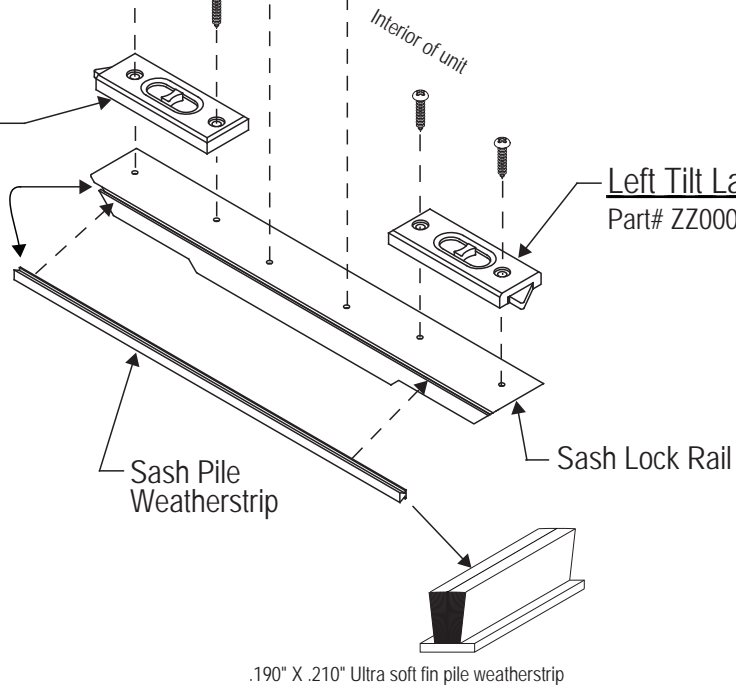
Sash Lock Fasteners:
Part# ZZ00085978
#6 x 3/4" Phillips Flat Head, White

Tilt Latch Fasteners:
Part# ZZ00086021
#8 x 7/8" Phillips Pan Head, White

Sash Lock:
Part# ZZ00085286

Right Tilt Latch:
Part# ZZ00085891

Left Tilt Latch:
Part# ZZ00085889



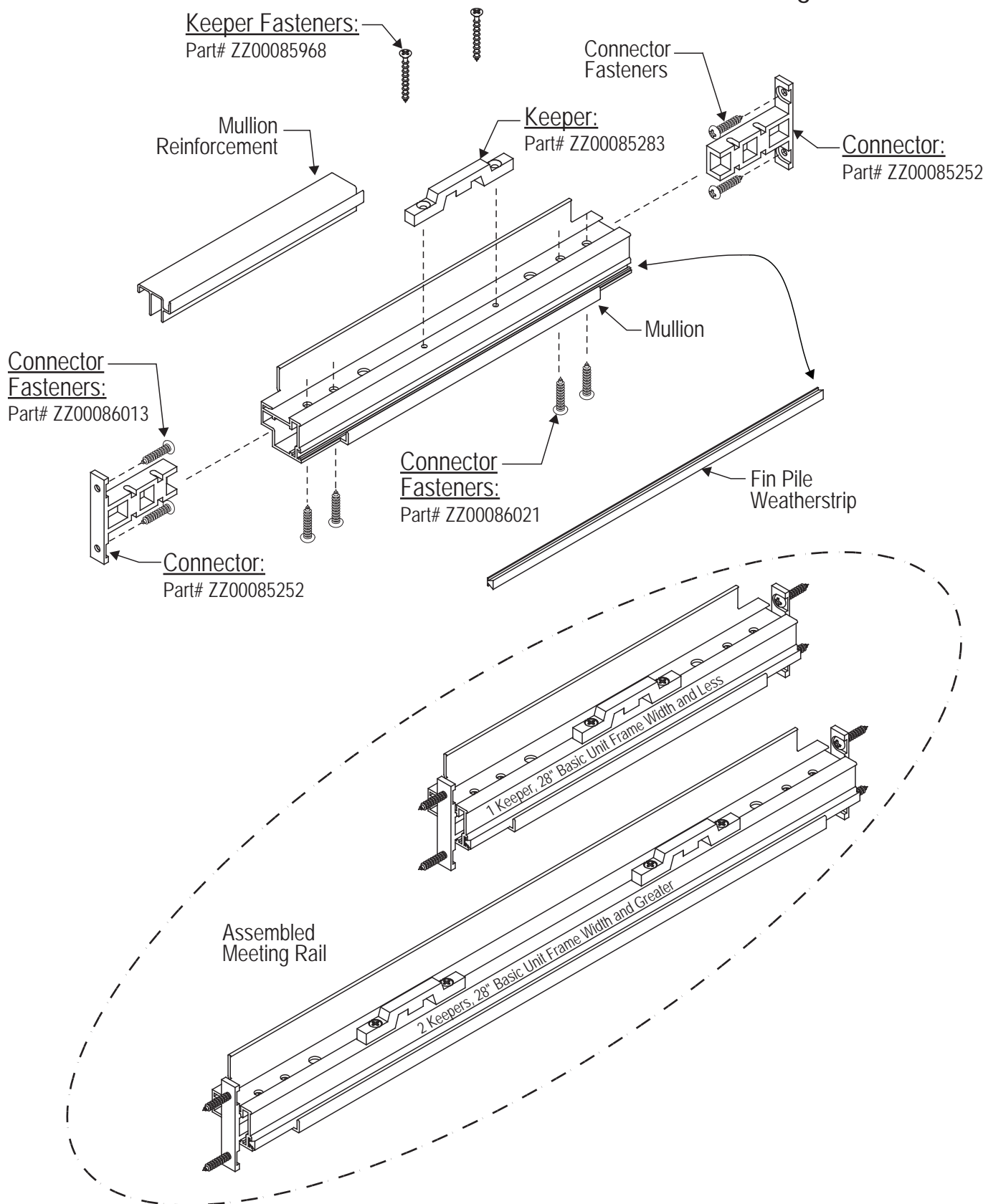
.190" X .210" Ultra soft fin pile weatherstrip

Builders' Single Hung Windows Replacement Parts

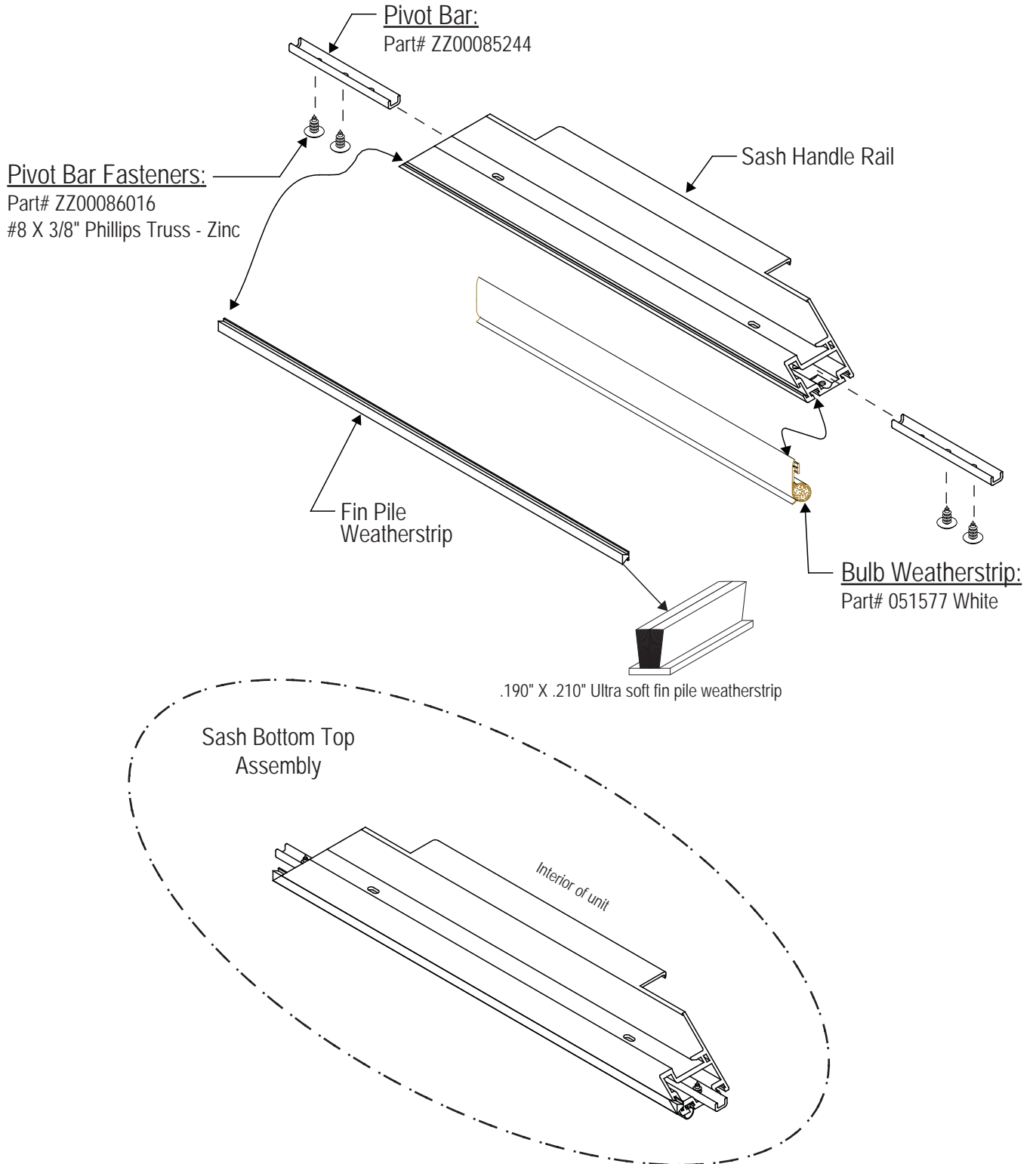


Windows & Doors

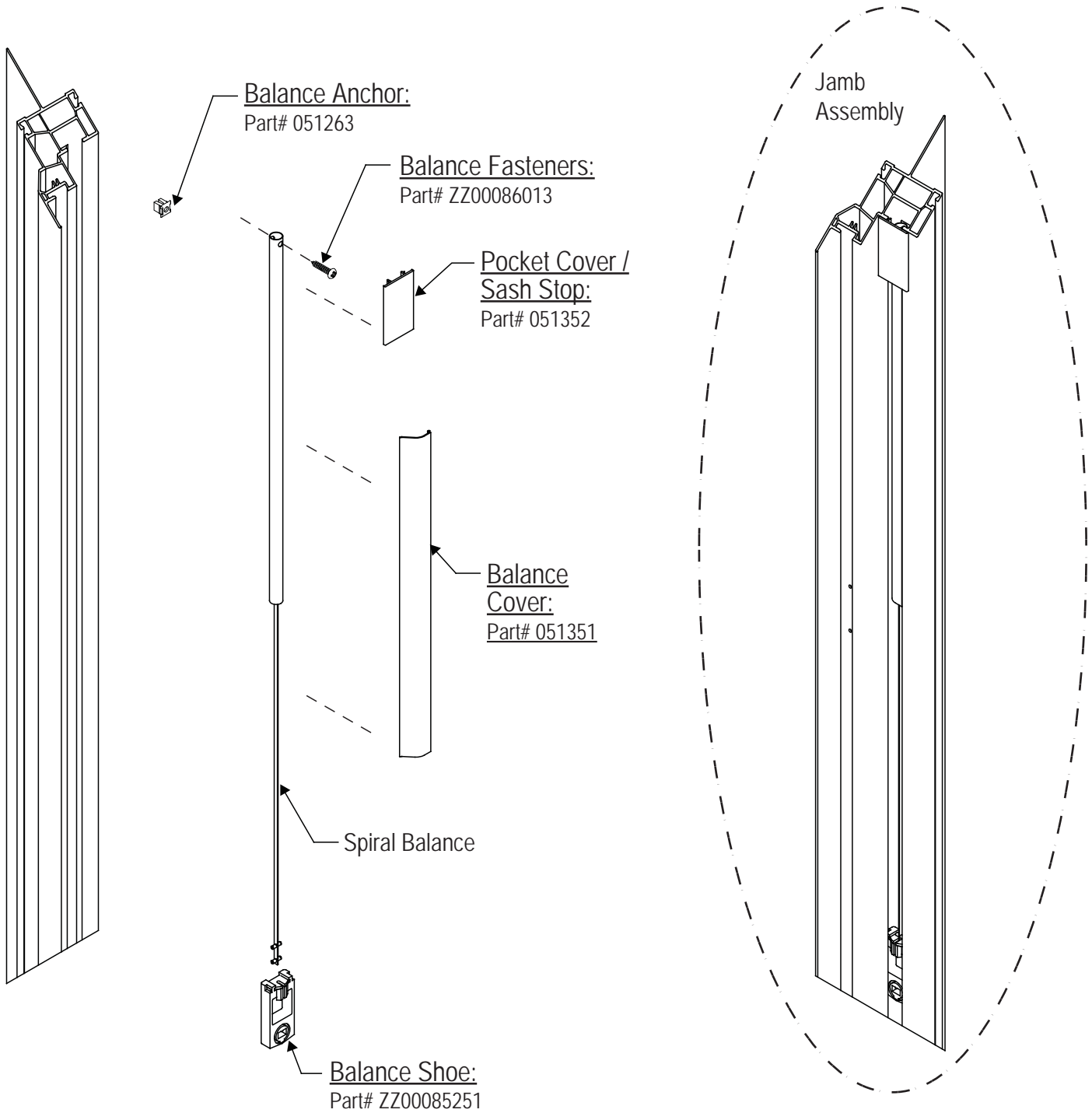
Meeting Rail Assembly



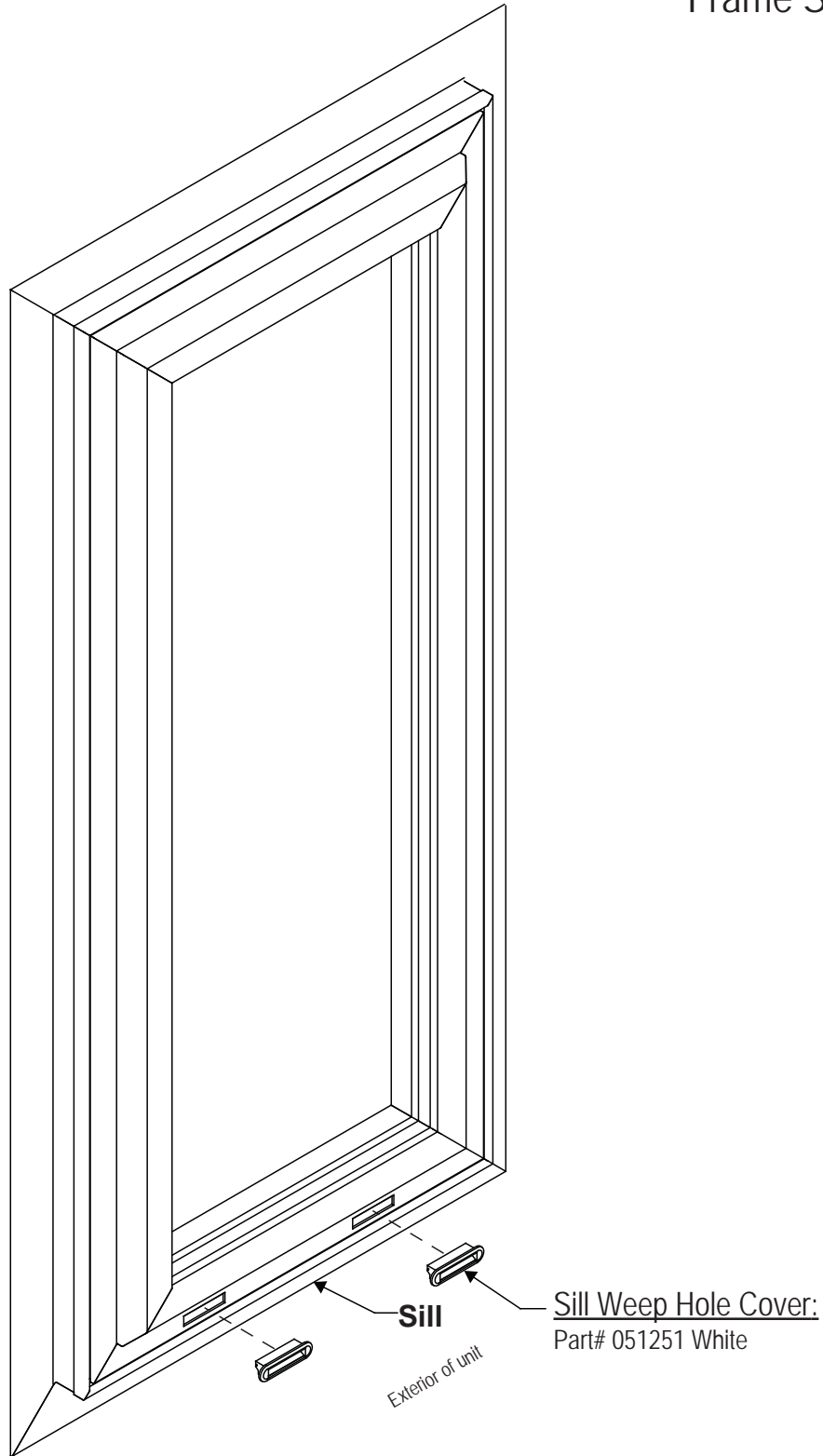
Sash Bottom Assembly



Frame Jamb Assembly



Frame Sill Assembly



Builders' Single Hung Windows Replacement Parts

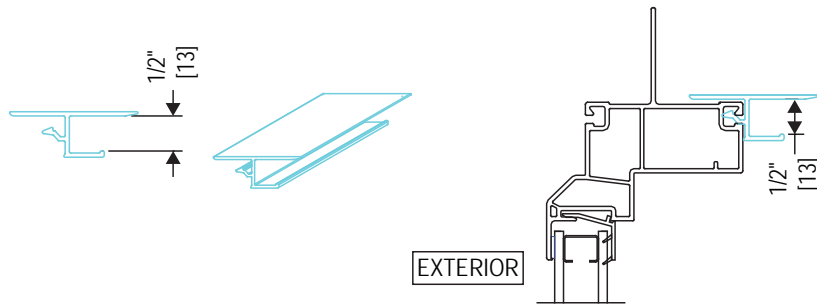


Windows & Doors

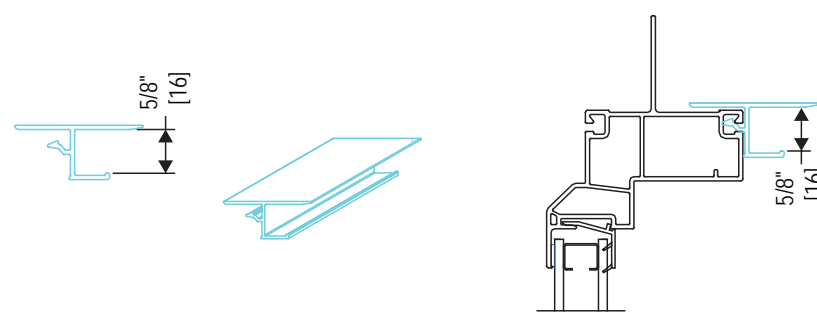
Accessories

HEAD DETAILS SUPERSEAL BUILDERS' SINGLE HUNG

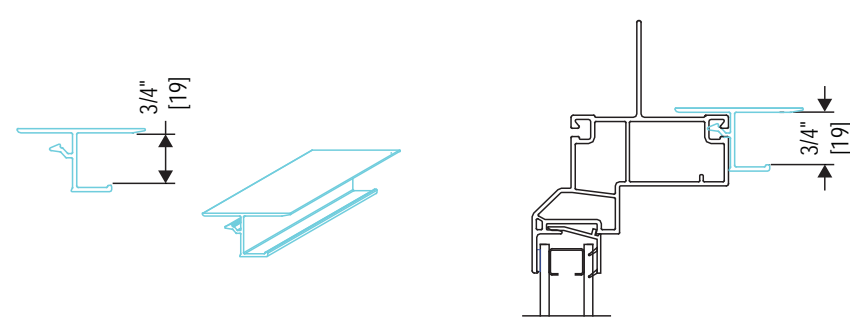
1/2" Drywall Return:
Part# 051355 White



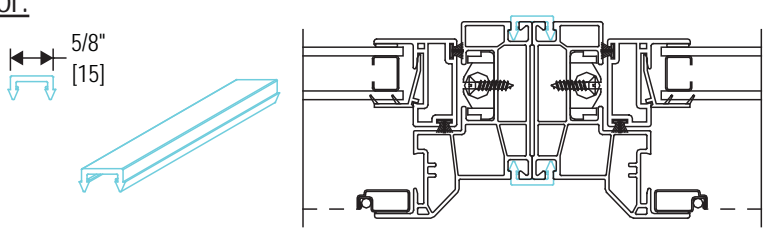
5/8" Drywall Return:
Part# 051353 White



3/4" Drywall Return:
Part# 051354 White



Direct Mull Connector:
Part# 051469 White



EXTERIOR

MULL DETAIL SUPERSEAL BUILDERS' SINGLE HUNG / SINGLE HUNG