

Vinyl Casement Windows Parts Catalog

Sash:

Jamb Snubbers - Page 2

Head & Sill Hardware - Page 3

Jamb Striker Hardware - Page 4

Jamb Lock & Tie Bar Hardware - Page 5

Frame:

Split Arm Operator Sill Assembly - Page 6

Dual Arm Operator Sill Assembly - Page 7

Jamb Snubbers - Page 8

Screens - Page 9

Weatherstrip & Glazing Bead - Page 10

Hardware, Misc - Page 11

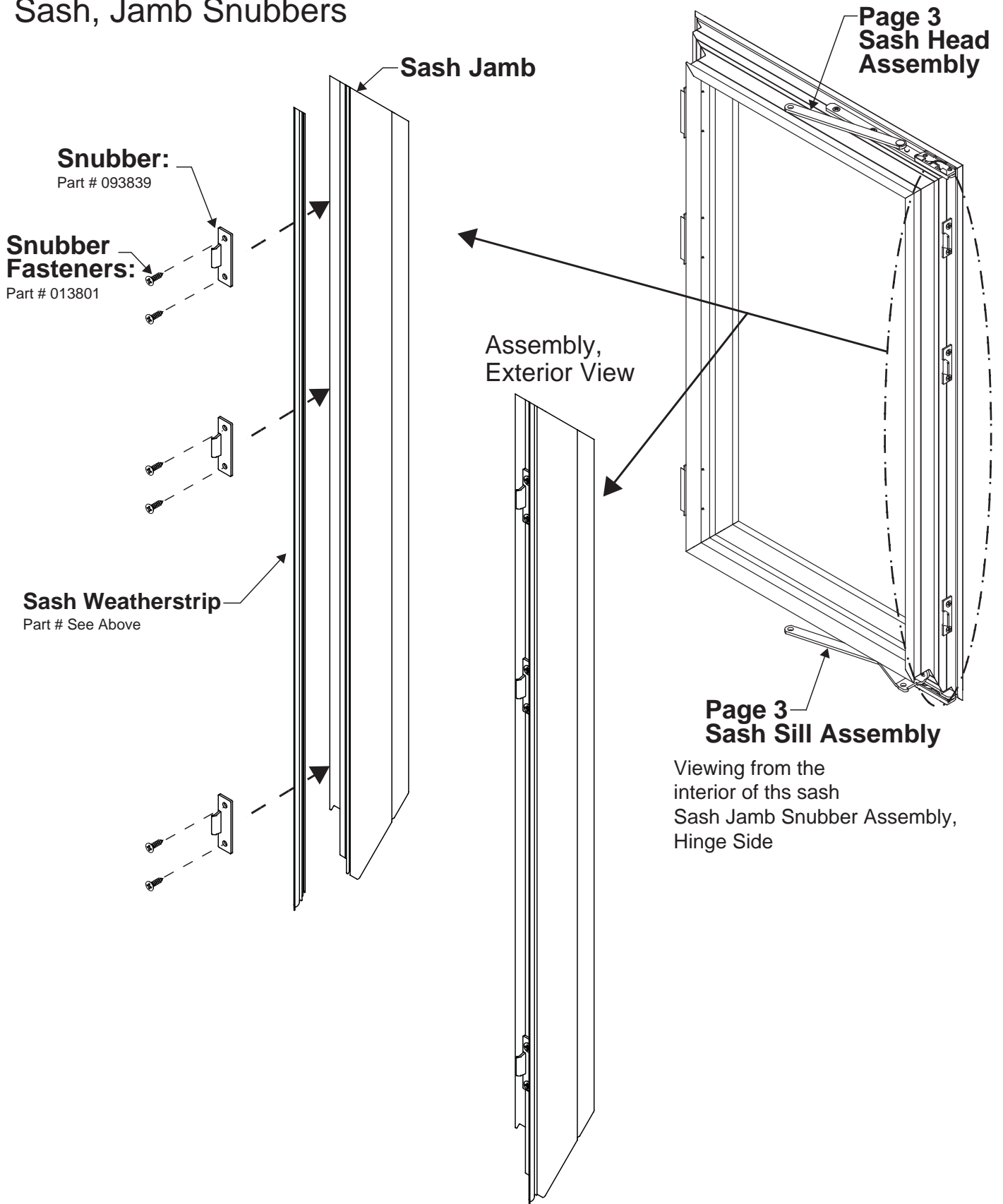
Sash Limit Device

Fixed Sash Shim



Windows & Doors

Sash, Jamb Snubbers



Casement Windows Replacement Parts



Windows & Doors

Hardware, Sash Head & Sill Assembly

Roto 10" Hinge Arm (Pairs L/R):

Part # 051109
Part # 051111 Egress

Roto 13" Hinge Arm (Pairs L/R):

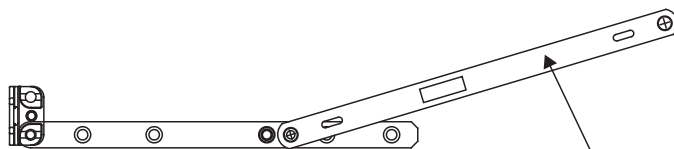
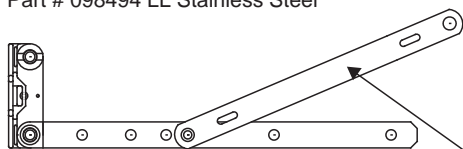
Part # 051110

Truth 10" Egress Hinge Arm (Pairs L/R):

Part # 098495 LL Egard
Part # 098496 UL Egard
Part # 098493 UL Stainless Steel
Part # 098494 LL Stainless Steel

Truth 14" Hinge Arm (Pairs L/R):

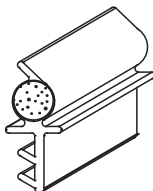
Part # 098485 LL Egard
Part # 098486 UL Egard
Part # 098483 UL Stainless Steel
Part # 098484 LL Stainless Steel



Note:

Identify your hinge arm by looking on the arm for the Truth or Roto symbol.

Sash Head Assembly



Sash Weatherstrip, Operating Units:

Part # ZZ00085296 White
Part # ZZ00085295 Sand

Hinge Arm Fasteners:

Part # 051089 #8 x 3/4" PFH

Hinge Arm:

Part #s See Above

Sash Head

Assembled, Exterior View

Sash Sill Assembly

Sash Sill

Sash Weatherstrip

Part # See Above

Bracket:

Part # 051124 LH
Part # 051125 RH



Bracket

Hinge Arm:

Part #s See Above

Hinge Arm Fasteners:

Part # 051089 #8 x 3/4" PFH

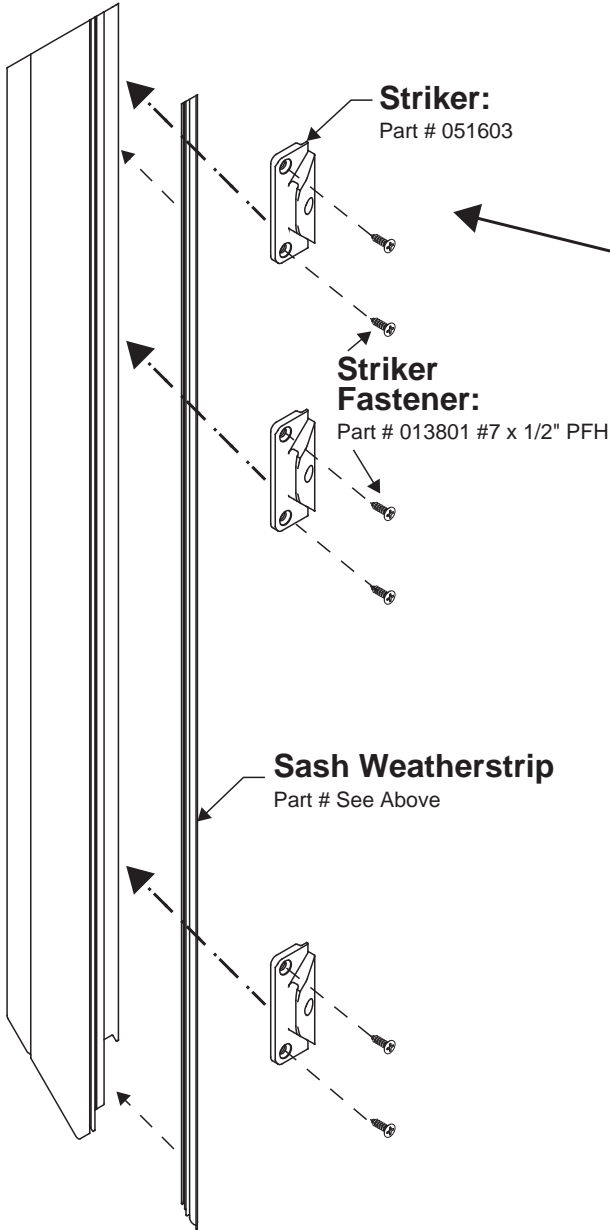
Bracket Fasteners:

Part # 051089 #8 x 3/4" PFH

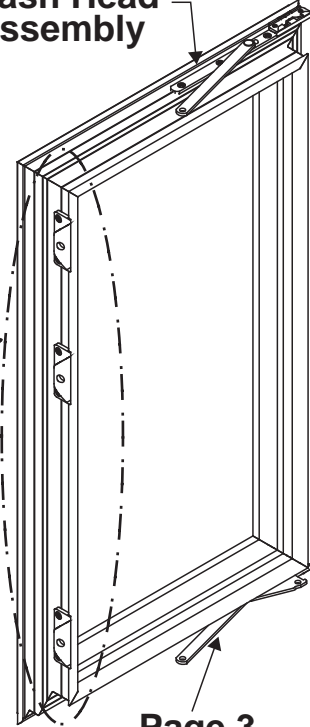
Assembled, Exterior View

Hardware, Sash Jamb Striker Assembly

Sash Jamb



Page 3 Sash Head Assembly



Page 3 Sash Sill Assembly

Viewing from the interior of this sash Sash Jamb Striker Assembly, Lock Side

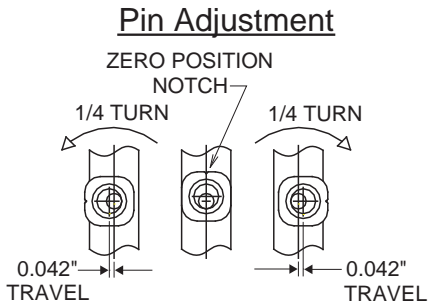
Sash Jamb Striker Assembly, Exterior View

Casement Windows Replacement Parts



Windows & Doors

Hardware, Frame Lock Jamb Assembly

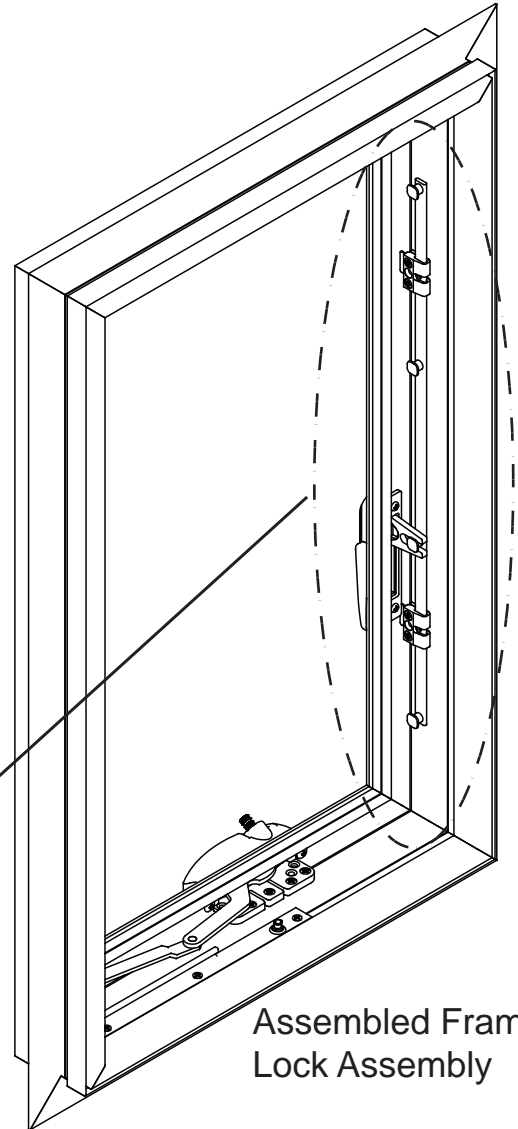


WHEN NOTCH IS FACING UP

- Rotate wrench upward to compress sash to the frame.
- Rotate wrench downward to bring sash away from the frame.

WHEN NOTCH IS FACING DOWN

- The reverse applies.



Tie Bar - Lock Assembly:

Lock Bar Length	Part #
13.8"	051591
20.5"	051590
26.4"	051589
30.1"	051588
35.9"	051587
41.9"	051586
47.9"	051585
53.8"	051584
59.8"	051583
65.8"	051582
71.8"	051581

Jamb

Lock Housing:

- Part # 051387 G-1 White
- Part # 051118 Beige
- Part # 051116 White

Lock Housing Handle Plate:

- Part # 051084, White

Lock Housing to Side Jamb Fasteners:

- Part # 051108 #8-32 x 1/2" PPH

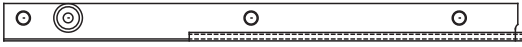
Tie Bar to Side Jamb Fasteners:

- Part # 099285 #7 x 7/8" PFH

Hardware, Frame Sill Assembly, Split Arm Operator

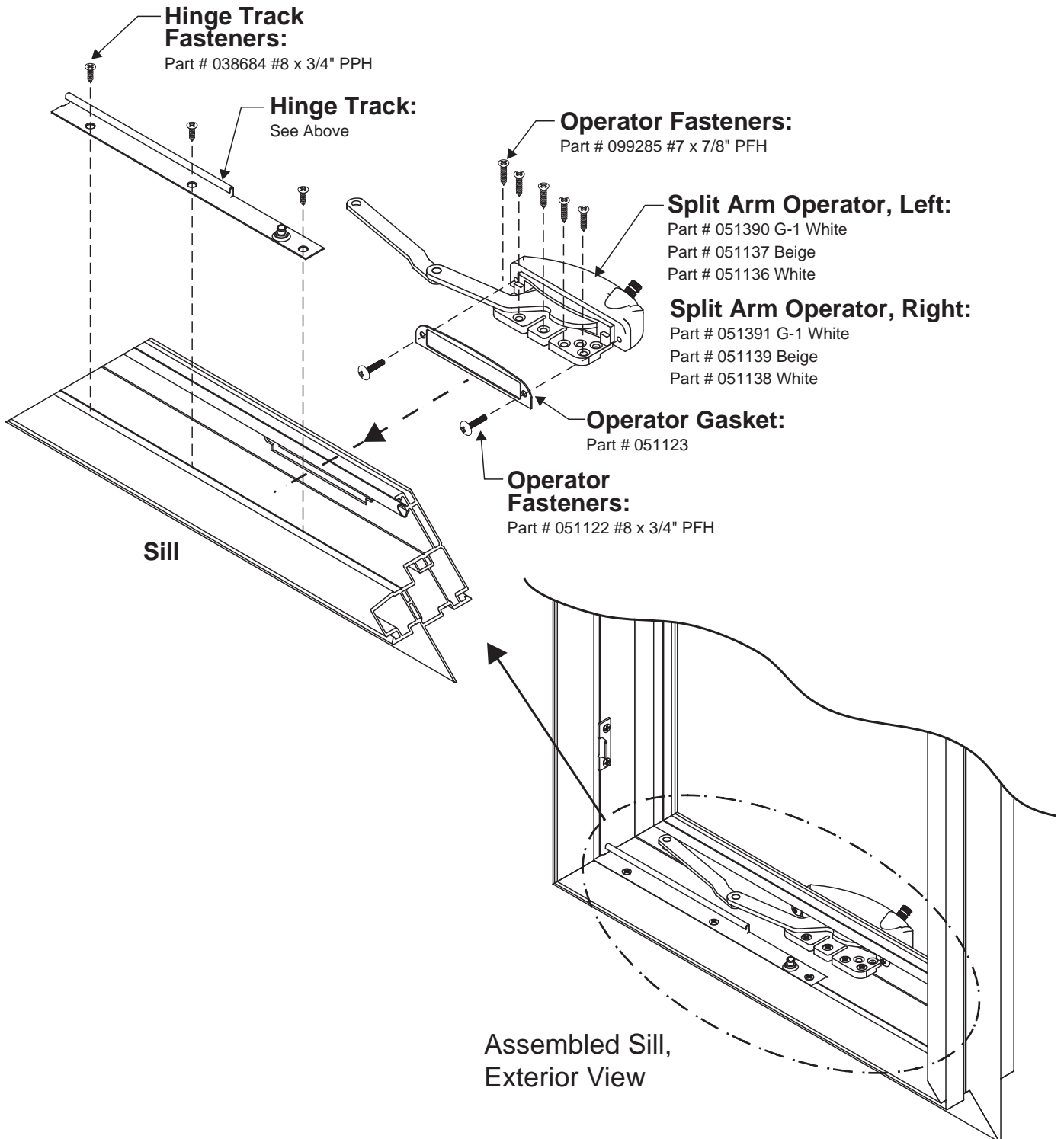
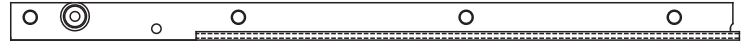
10" Hinge Track (Pairs L/R):

Part # 051112



13" Hinge Track ((Pairs L/R):

Part # 051113

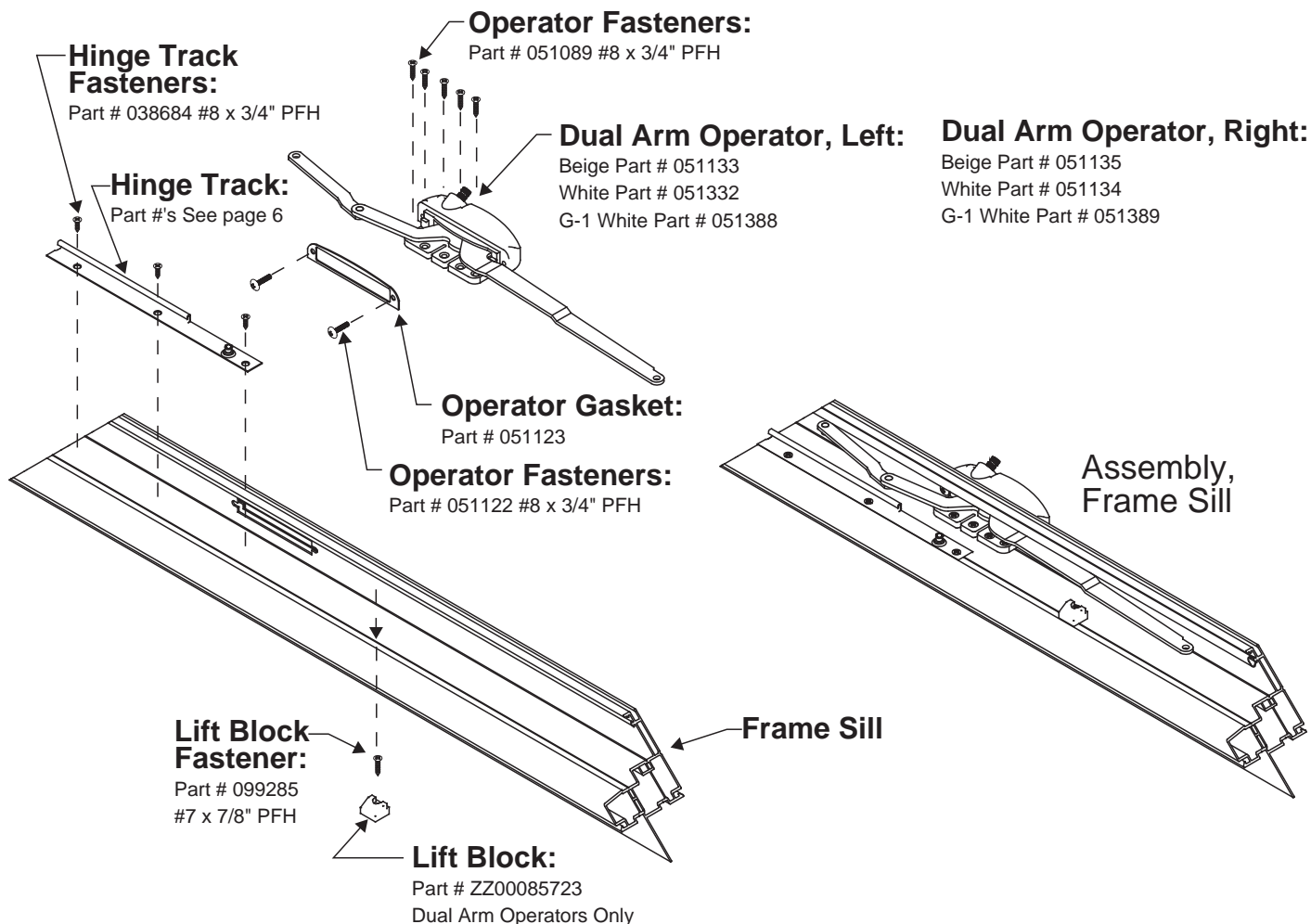


Casement Windows Replacement Parts

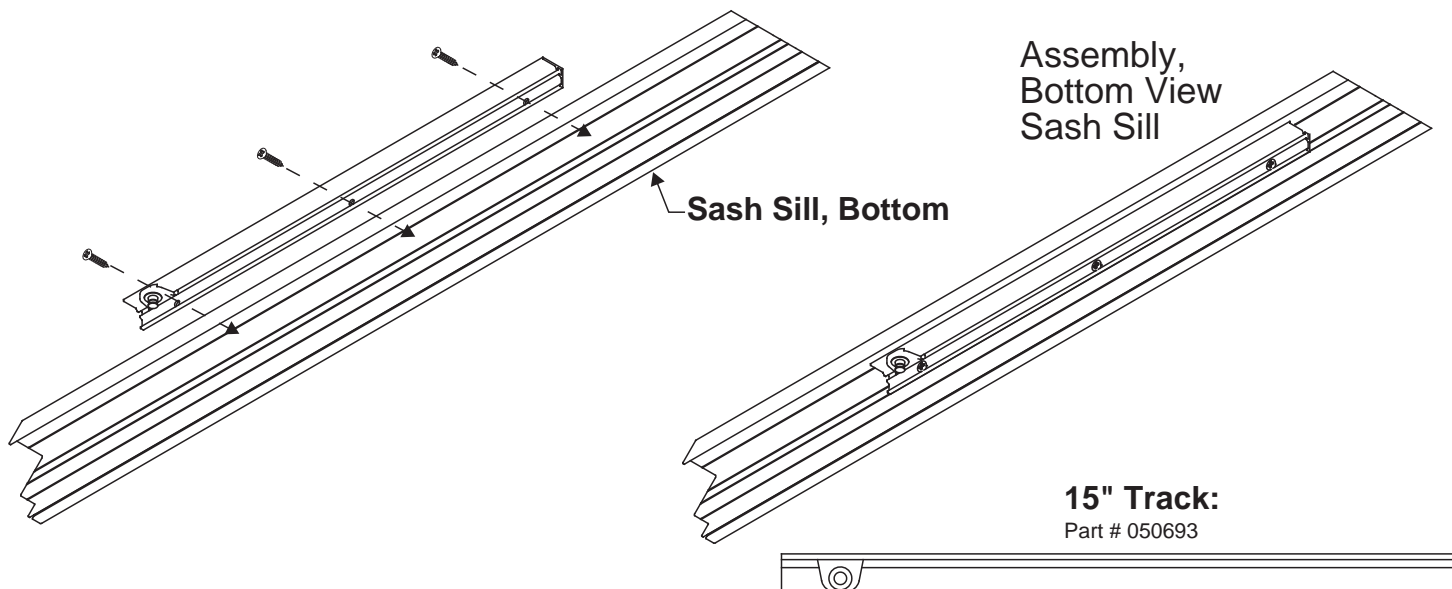


Windows & Doors

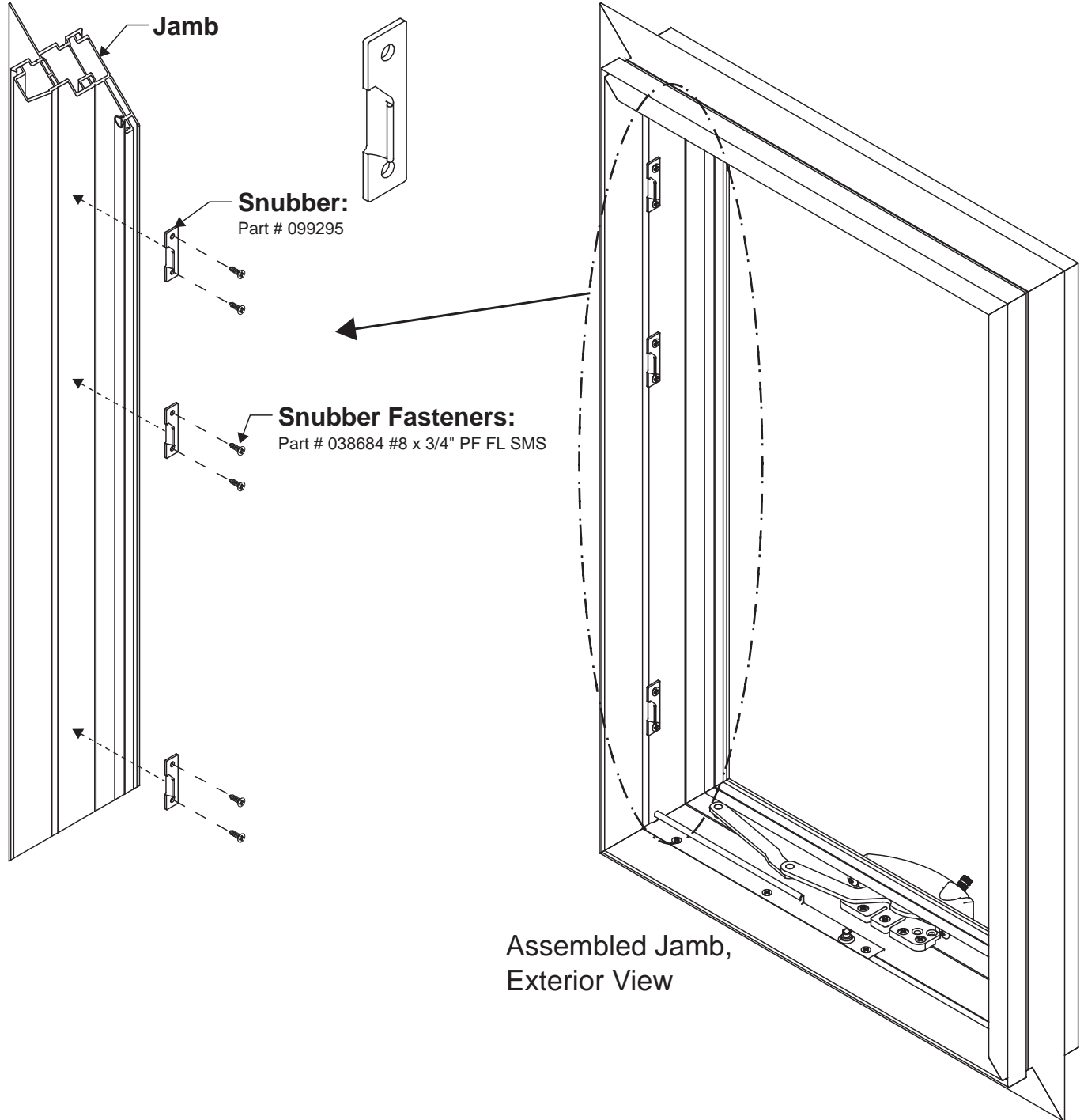
Hardware, Frame Sill Assembly, Dual Arm Operator



Hardware, Sash Sill Assembly, Dual Arm Operator



Hardware, Frame Jamb, Snubber Assembly



Casement Windows Replacement Parts

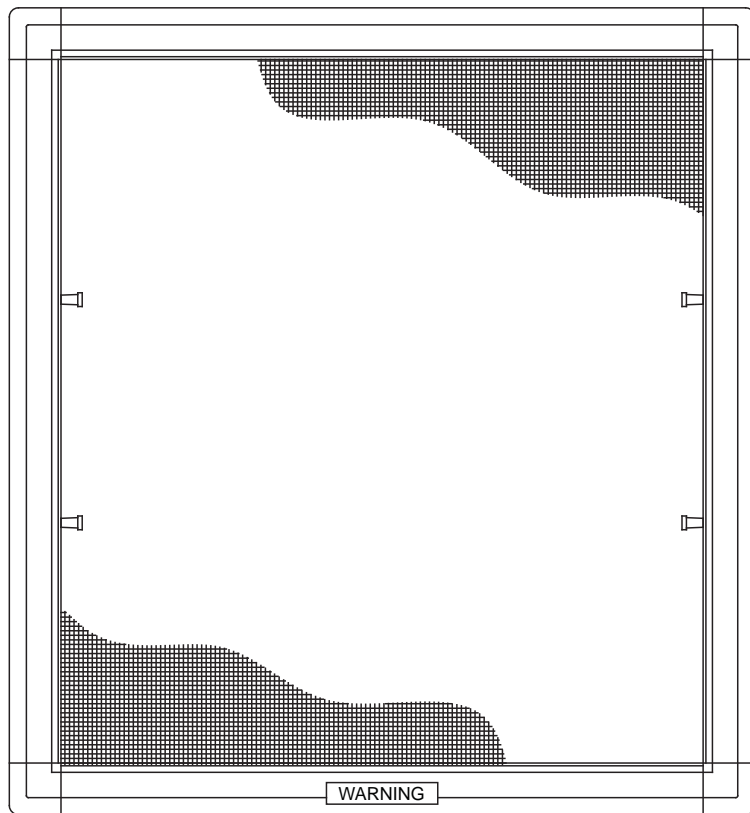
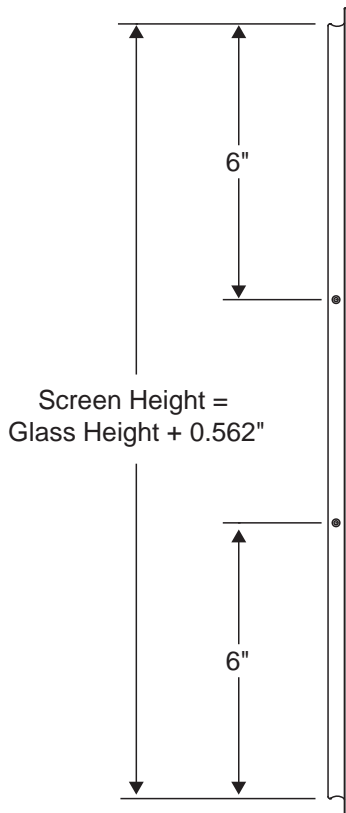
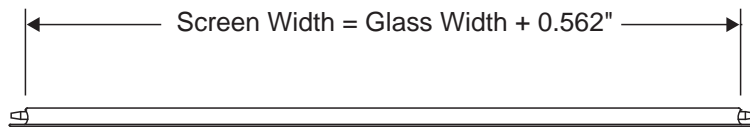
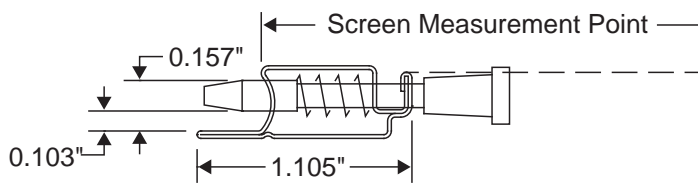


Windows & Doors

Screens

Notes:

- 1. 2 Plungers per side @ 6" Locations shown
- Qty 1 Plunger centered per side for screens that are less than 20" tall.

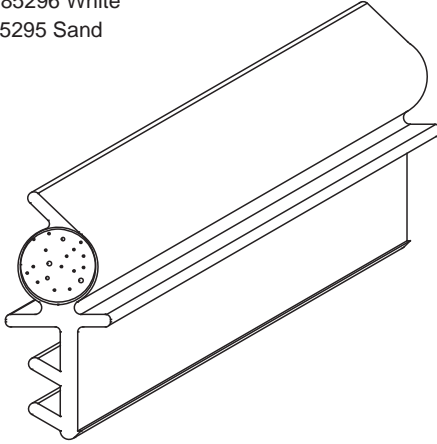


Note: Parts drawings not to scale.

Weatherstrip & Glazing Bead

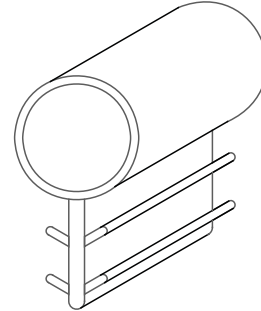
Sash Weatherstrip, Operating Units:

Part # ZZ00085296 White
Part # ZZ00085295 Sand



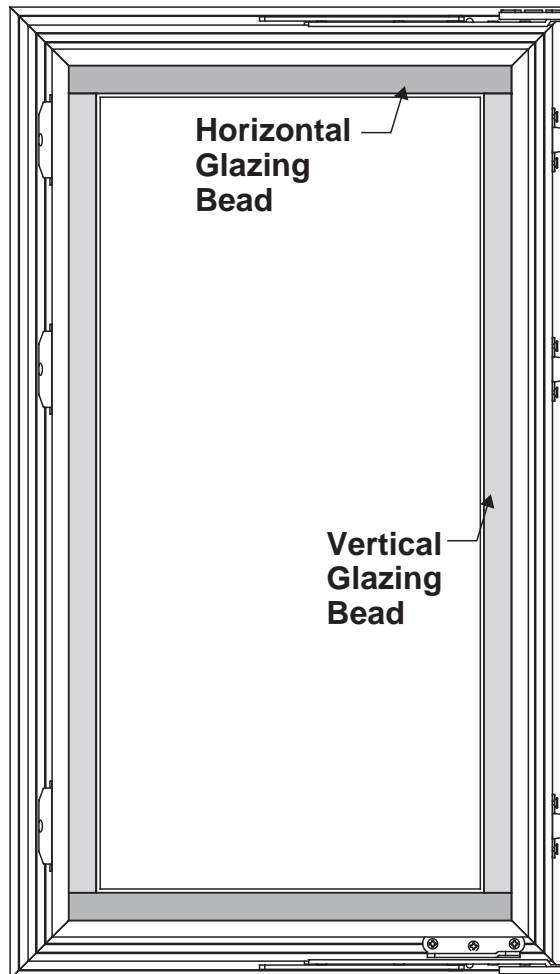
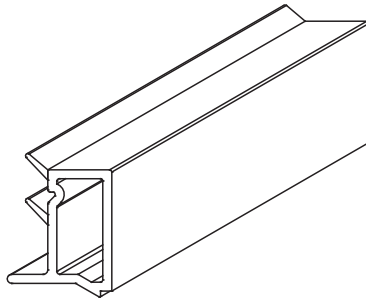
Sash Weatherstrip, Fixed Units:

Part # 099518 Bronze



Glazing Bead:

Part # 051064 White
Part # 051065 Beige



Note: Parts drawings not to scale.

Casement Windows Replacement Parts



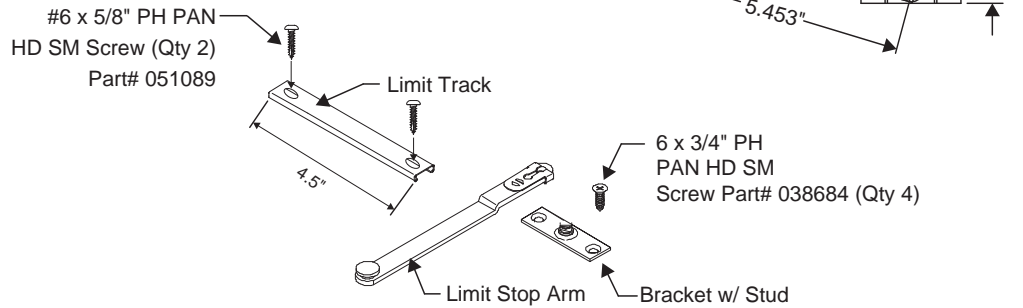
Windows & Doors

Hardware

Sash Limit Device

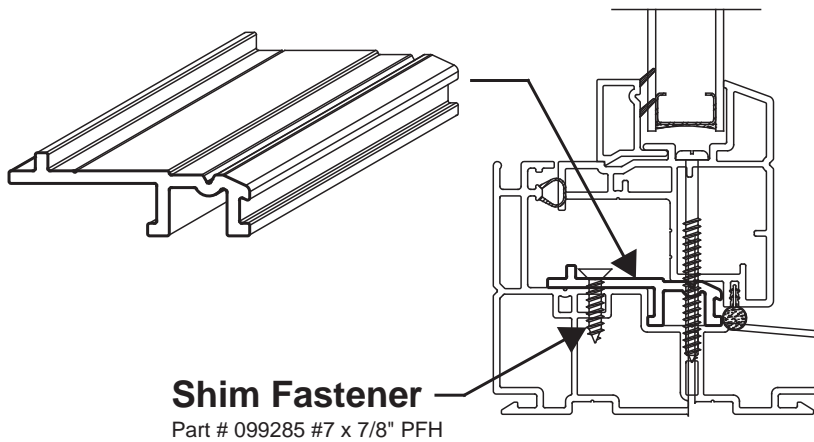
Limit device allows sash to open a maximum of 4"

- Limit Stop Arm Part # 096370
- Limit Bracket with Stud Part # 096372
- Limit Track Part # 096373
- Complete Set part # 025857



Shim, Fixed Sash

Part # 051285



Note: Parts drawings not to scale.

Nov/2012

©2012 Superseal Windows & Doors

SSCA-11