

New Construction

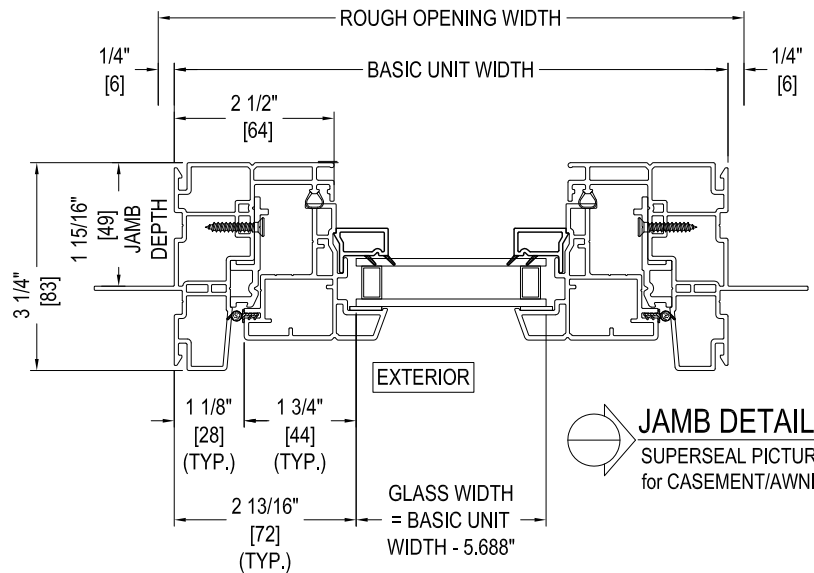
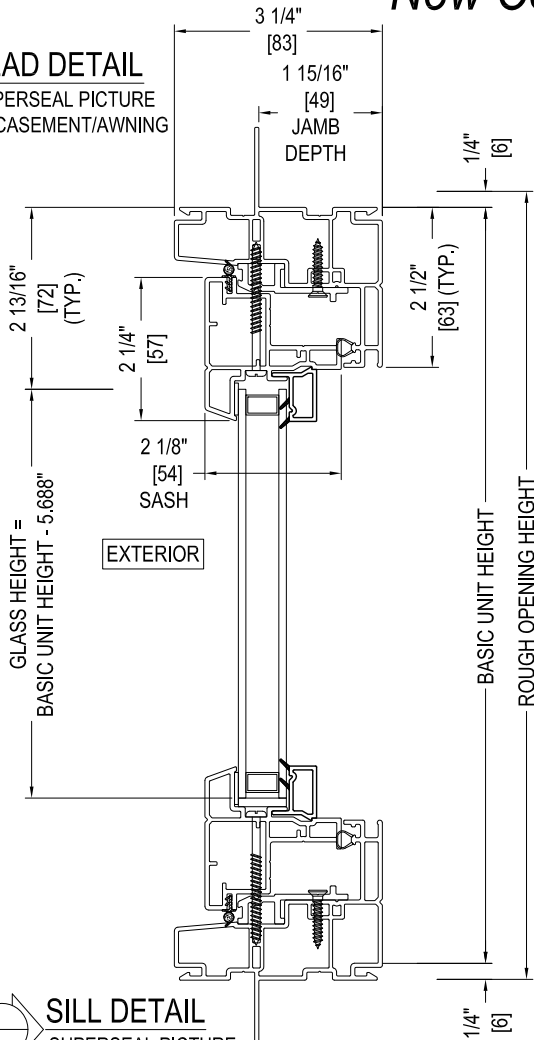
SIZING FORMULAS

BASIC UNIT HEIGHT = (GLASS + 5.625")

GLASS = (BASIC UNIT - 5.625") OR SASH - 3.500"

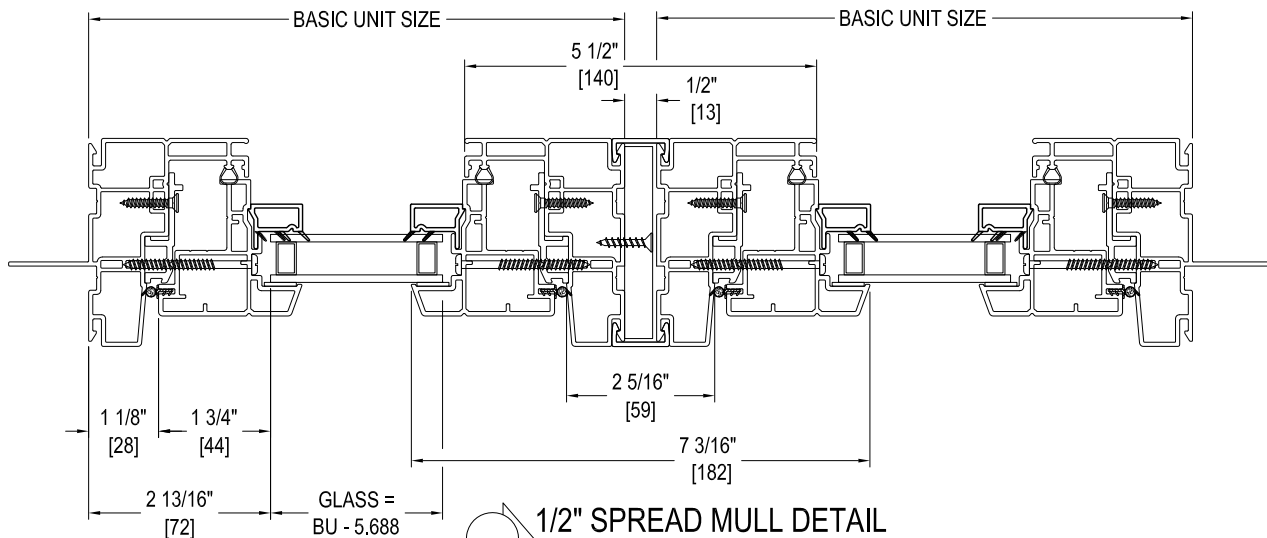
SASH = (BASIC UNIT - 2.125") OR GLASS (+ 3.500")

HEAD DETAIL
SUPERSEAL PICTURE
for CASEMENT/AWNING



JAMB DETAIL
SUPERSEAL PICTURE
for CASEMENT/AWNING

SILL DETAIL
SUPERSEAL PICTURE
for CASEMENT/AWNING



1/2" SPREAD MULL DETAIL
SUPERSEAL PICTURE / PICTURE
for CASEMENT/AWNING

Replacement

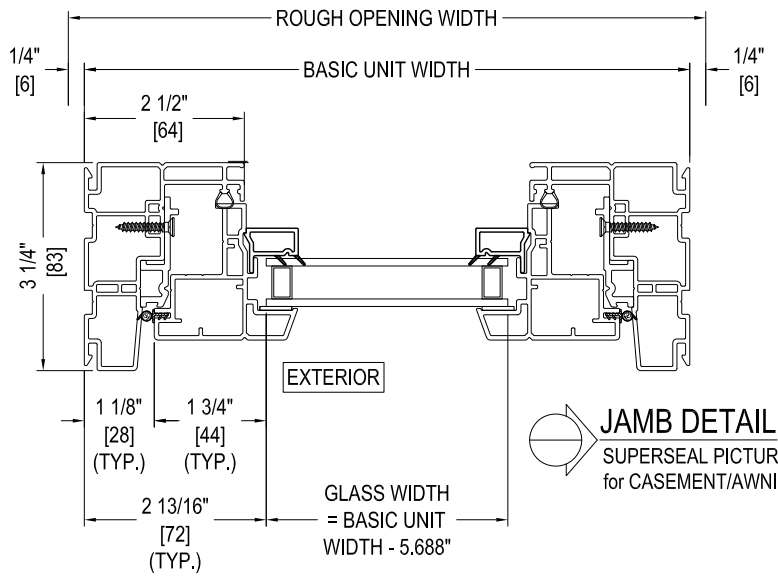
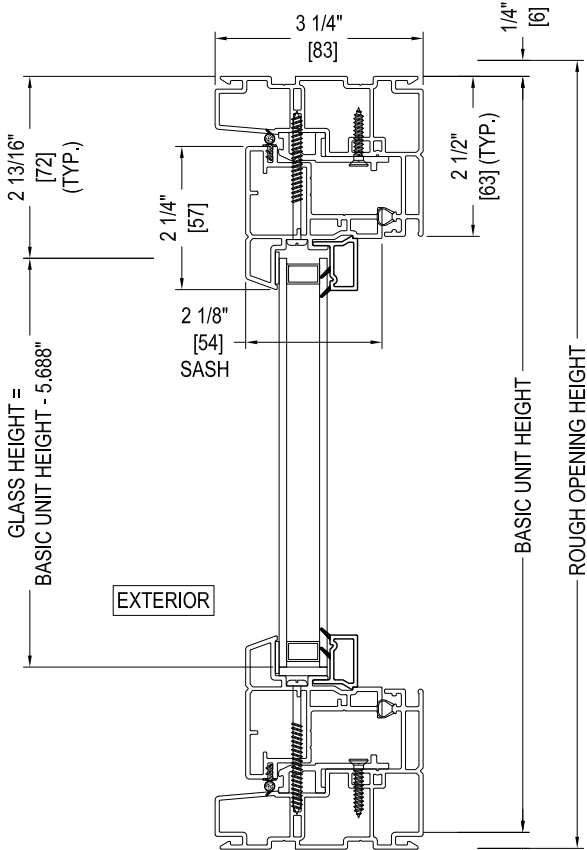
SIZING FORMULAS

BASIC UNIT HEIGHT = (GLASS + 5.625")

GLASS = (BASIC UNIT - 5.625") OR SASH - 3.500"

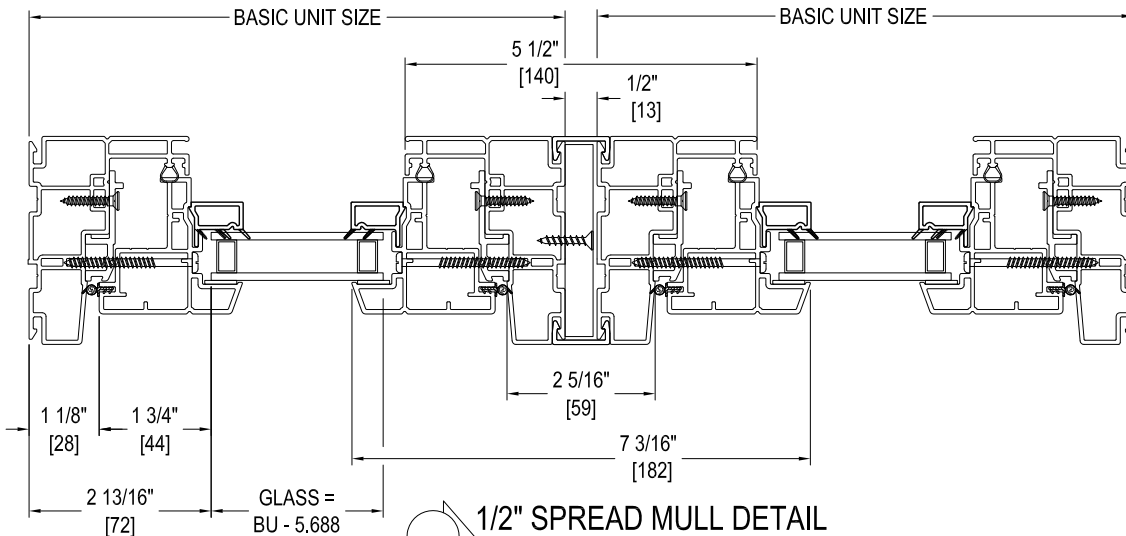
SASH = (BASIC UNIT - 2.125") OR GLASS (+ 3.500")

HEAD DETAIL
SUPERSEAL PICTURE
for CASEMENT/AWNING



JAMB DETAIL
SUPERSEAL PICTURE
for CASEMENT/AWNING

SILL DETAIL
SUPERSEAL PICTURE
for CASEMENT/AWNING



1/2" SPREAD MULL DETAIL
SUPERSEAL PICTURE / PICTURE
for CASEMENT/AWNING