

SIZING FORMULAS

BASIC UNIT HEIGHT = (GLASS + 5.688")

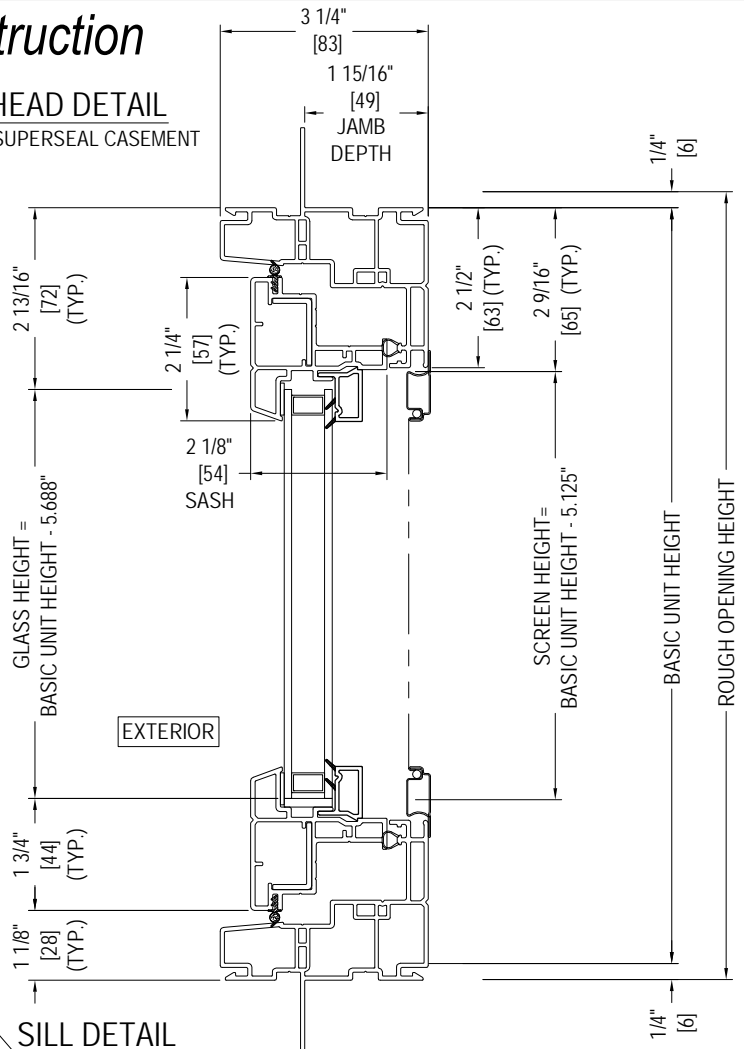
GLASS = (BASIC UNIT - 5.688") OR SASH - 3.500"

SASH = (BASIC UNIT - 2.188") OR GLASS (+ 3.500")

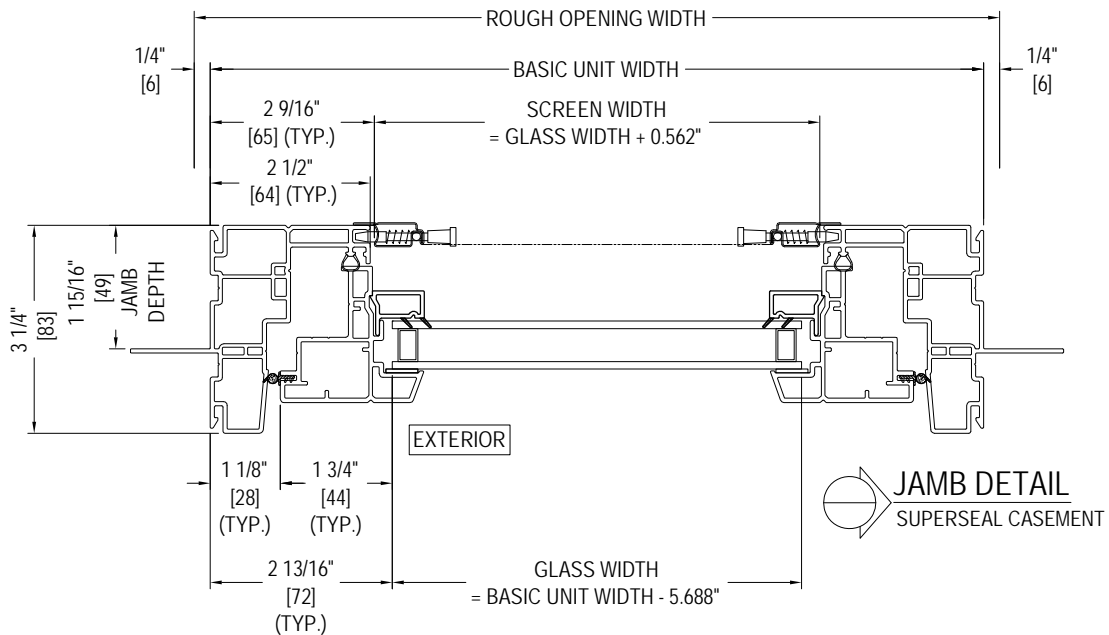
SCREEN = (BASIC UNIT - 5.125") OR GLASS + 0.562"

New Construction

HEAD DETAIL
SUPERSEAL CASEMENT



SILL DETAIL
SUPERSEAL CASEMENT



JAMB DETAIL
SUPERSEAL CASEMENT

SIZING FORMULAS

BASIC UNIT HEIGHT = (GLASS + 5.688")

GLASS = (BASIC UNIT - 5.688") OR SASH - 3.500"

SASH = (BASIC UNIT - 2.188") OR GLASS (+ 3.500")

SCREEN = (BASIC UNIT - 5.125") OR GLASS + 0.562"

Replacement

