

New Construction

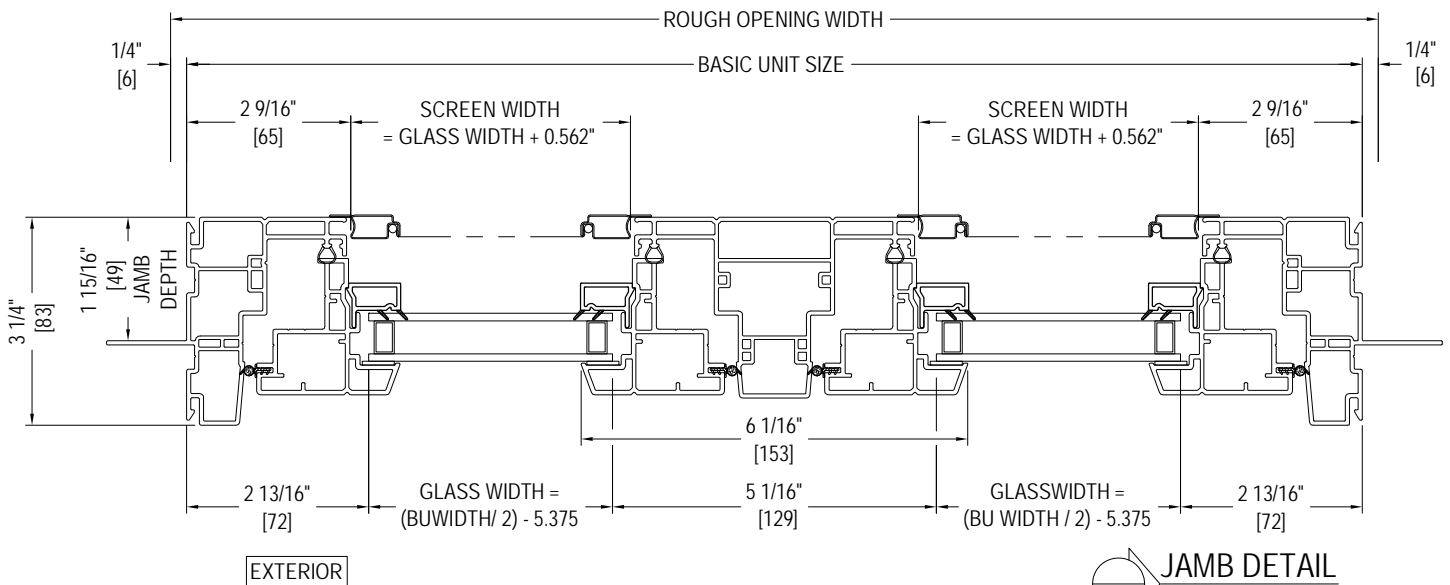
SIZING FORMULAS

BASIC UNIT WIDTH = GLASS WIDTH + 10.750"

GLASS WIDTH = BASIC UNIT / 2 - 5.375 or SASH WIDTH - 3.500"

SASH WIDTH = BASIC UNIT / 2 - 1.875" or GLASS WIDTH + 3.500"

SCREEN WIDTH = GLASS WIDTH + 0.562"



JAMB DETAIL
SUPERSEAL
CASEMENT / CASEMENT
CONTINUOUS FRAME

Replacement

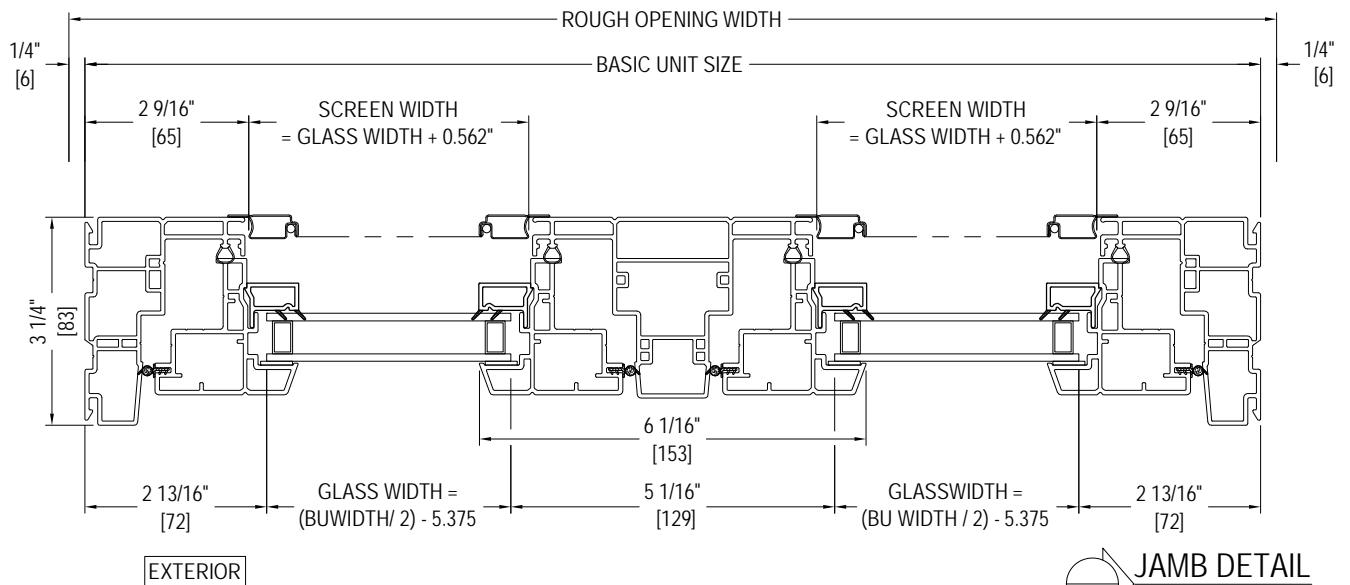
SIZING FORMULAS

$$\text{BASIC UNIT WIDTH} = \text{GLASS WIDTH} + 10.750"$$

$$\text{GLASS WIDTH} = \text{BASIC UNIT} / 2 - 5.375 \text{ or } \text{SASH WIDTH} - 3.500"$$

$$\text{SASH WIDTH} = \text{BASIC UNIT} / 2 - 1.875" \text{ or } \text{GLASS WIDTH} + 3.500"$$

$$\text{SCREEN WIDTH} = \text{GLASS WIDTH} + 0.562"$$



JAMB DETAIL
SUPERSEAL
CASEMENT / CASEMENT
CONTINUOUS FRAME