

SIZING FORMULAS

BASIC UNIT HEIGHT = (GLASS + 5.625")

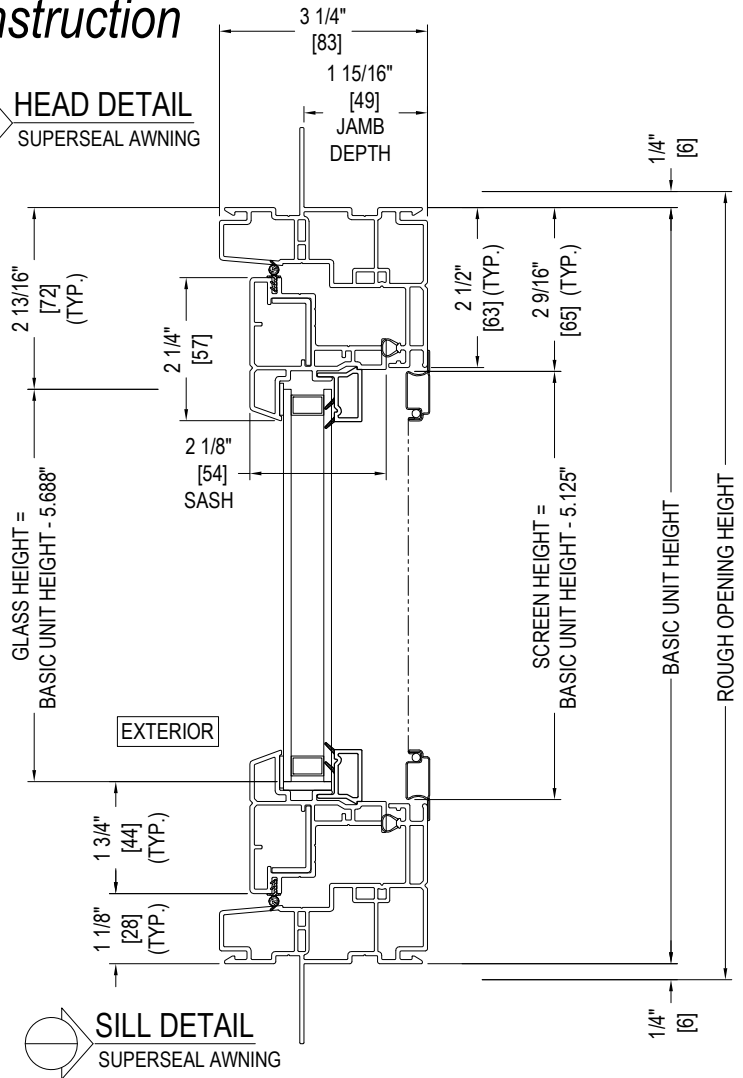
GLASS = (BASIC UNIT - 5.625") OR SASH - 3.500"

SASH = (BASIC UNIT - 2.125") OR GLASS (+ 3.500")

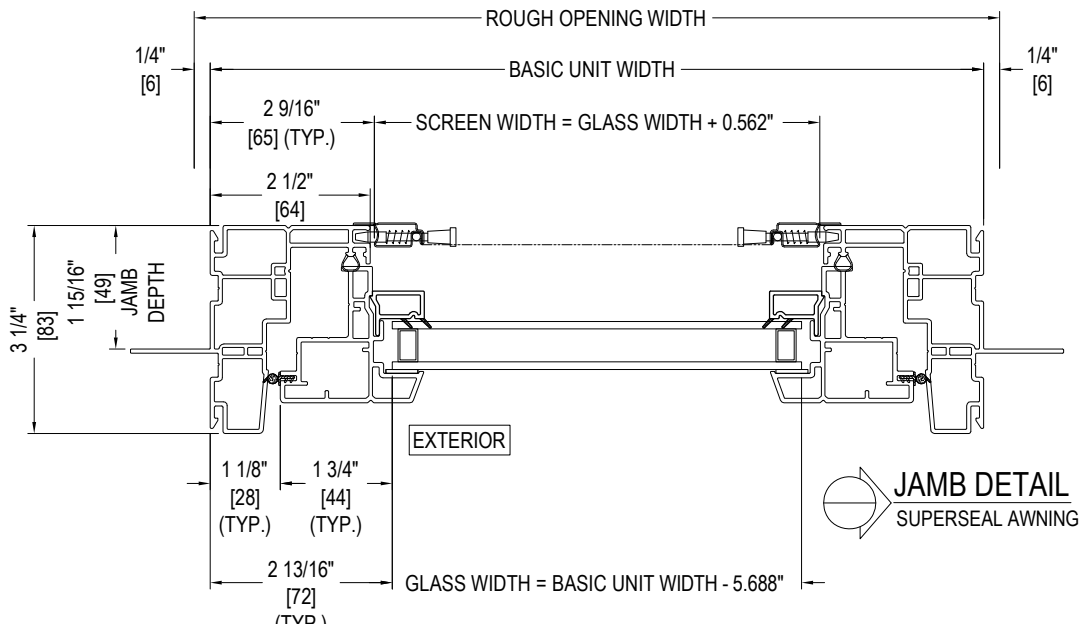
SCREEN = (BASIC UNIT - 5.125") OR GLASS + 0.562"

New Construction

HEAD DETAIL
SUPERSEAL AWNING



SILL DETAIL
SUPERSEAL AWNING



Replacement

SIZING FORMULAS

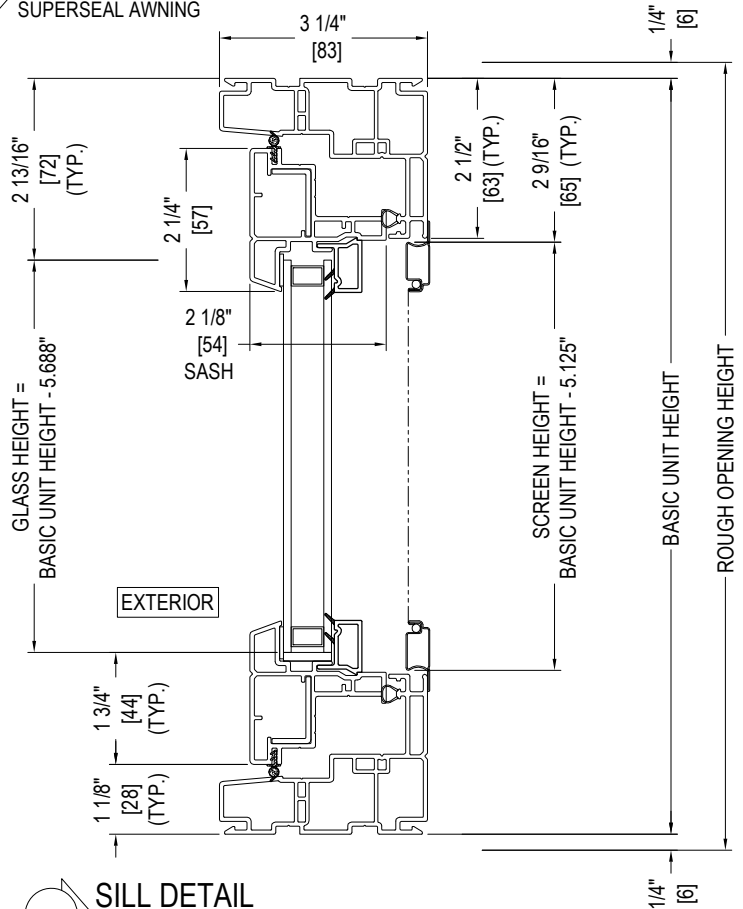
BASIC UNIT HEIGHT = (GLASS + 5.625")

GLASS = (BASIC UNIT - 5.625") OR SASH - 3.500"

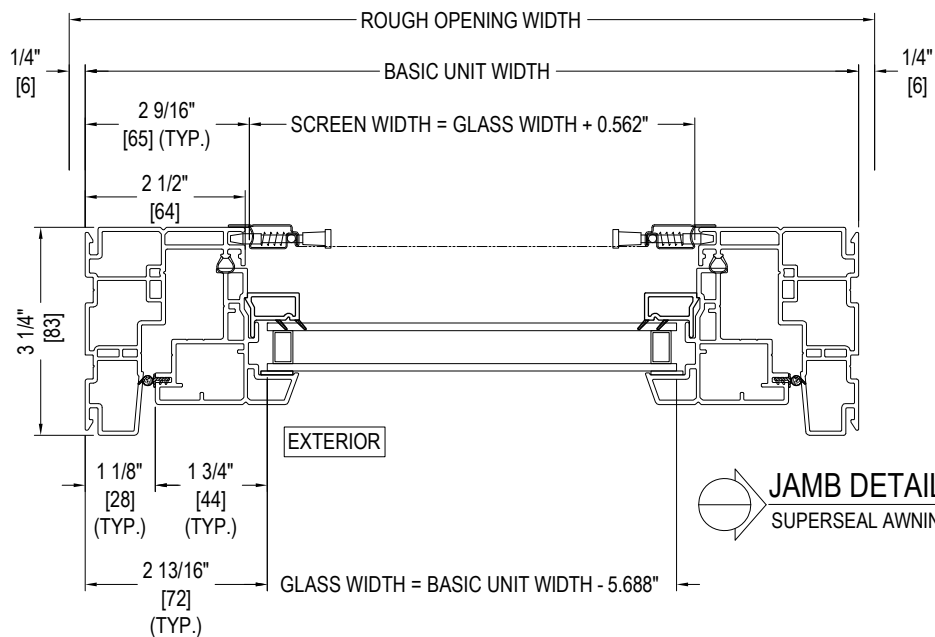
SASH = (BASIC UNIT - 2.125") OR GLASS (+ 3.500")

SCREEN = (BASIC UNIT - 5.125") OR GLASS + 0.562"

HEAD DETAIL
SUPERSEAL AWNING



SILL DETAIL
SUPERSEAL AWNING



JAMB DETAIL
SUPERSEAL AWNING