

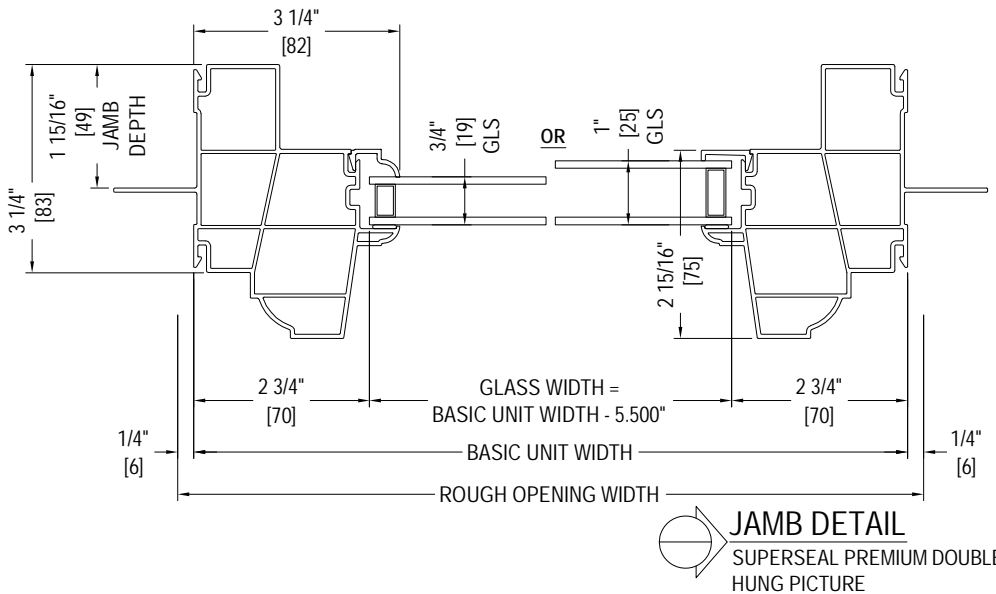
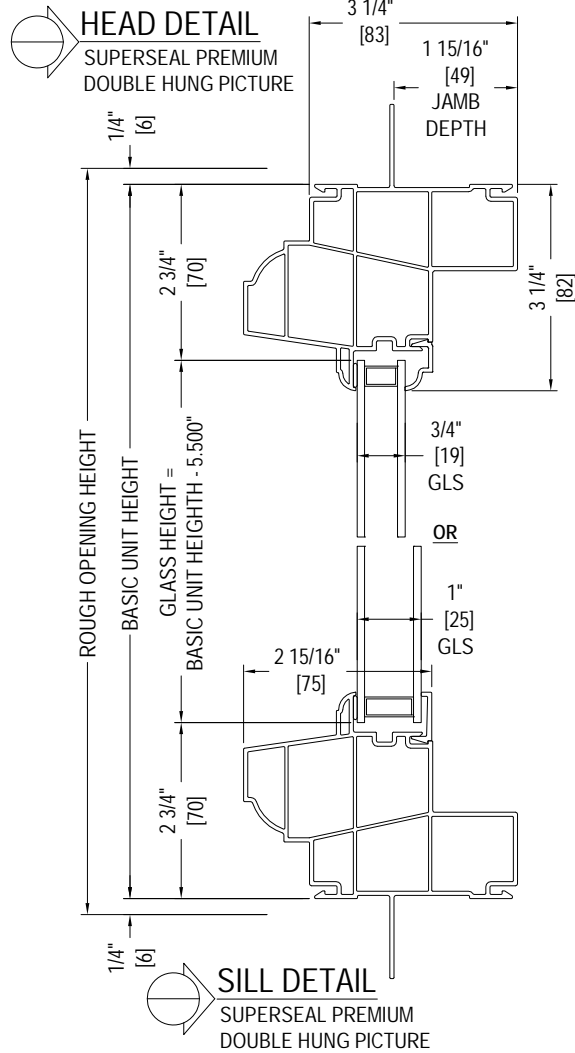
SIZING FORMULAS

BASIC UNIT WIDTH or HEIGHT = GLASS WIDTH or HEIGHT + 5.500"

GLASS WIDTH or HEIGHT = BASIC UNIT WIDTH or HEIGHT - 5.500"

*New Construction*

Drawn to Full Scale  
Printed to 4" = 1" Scale  
Merrill Wi  
7900



SIZING FORMULAS

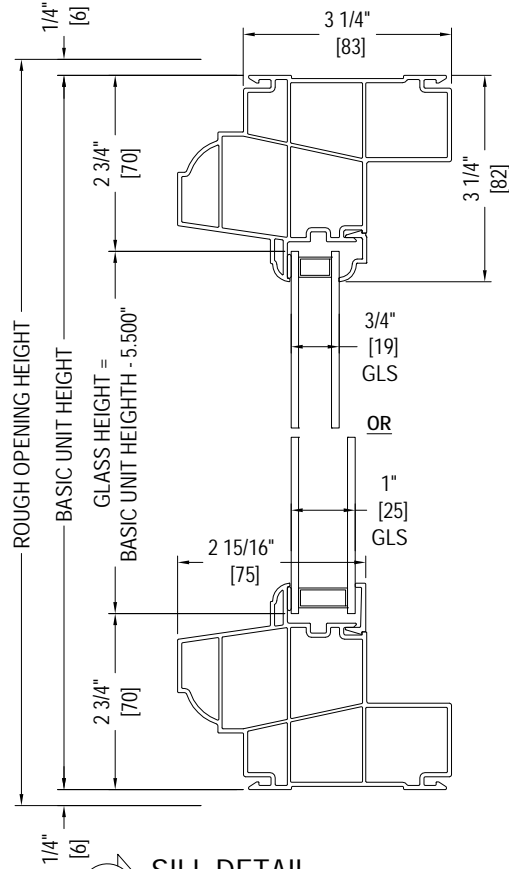
BASIC UNIT WIDTH or HEIGHT = GLASS WIDTH or HEIGHT + 5.500"

GLASS WIDTH or HEIGHT = BASIC UNIT WIDTH or HEIGHT - 5.500"

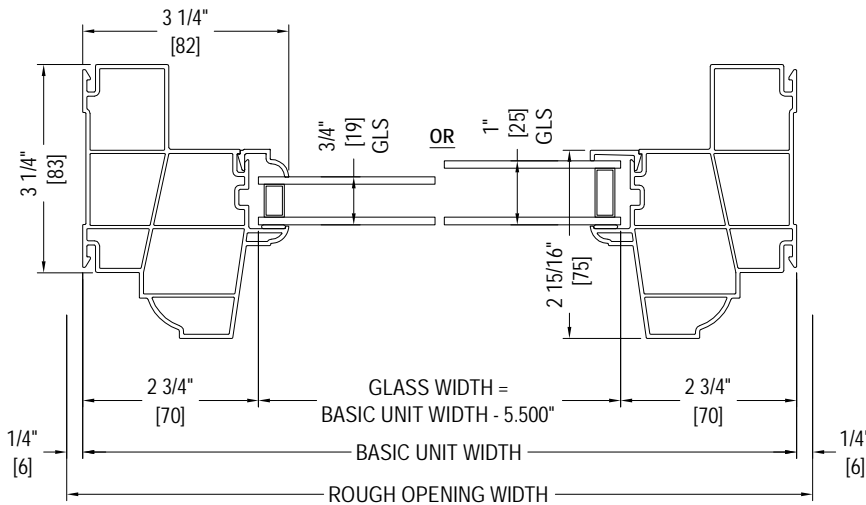
*Replacement*

Drawn to Full Scale  
Printed to 4" = 1" Scale  
Merrill Wi  
7900

**HEAD DETAIL**  
SUPERSEAL PREMIUM  
DOUBLE HUNG PICTURE



**SILL DETAIL**  
SUPERSEAL PREMIUM  
DOUBLE HUNG PICTURE



**JAMB DETAIL**  
SUPERSEAL PREMIUM DOUBLE  
HUNG PICTURE