

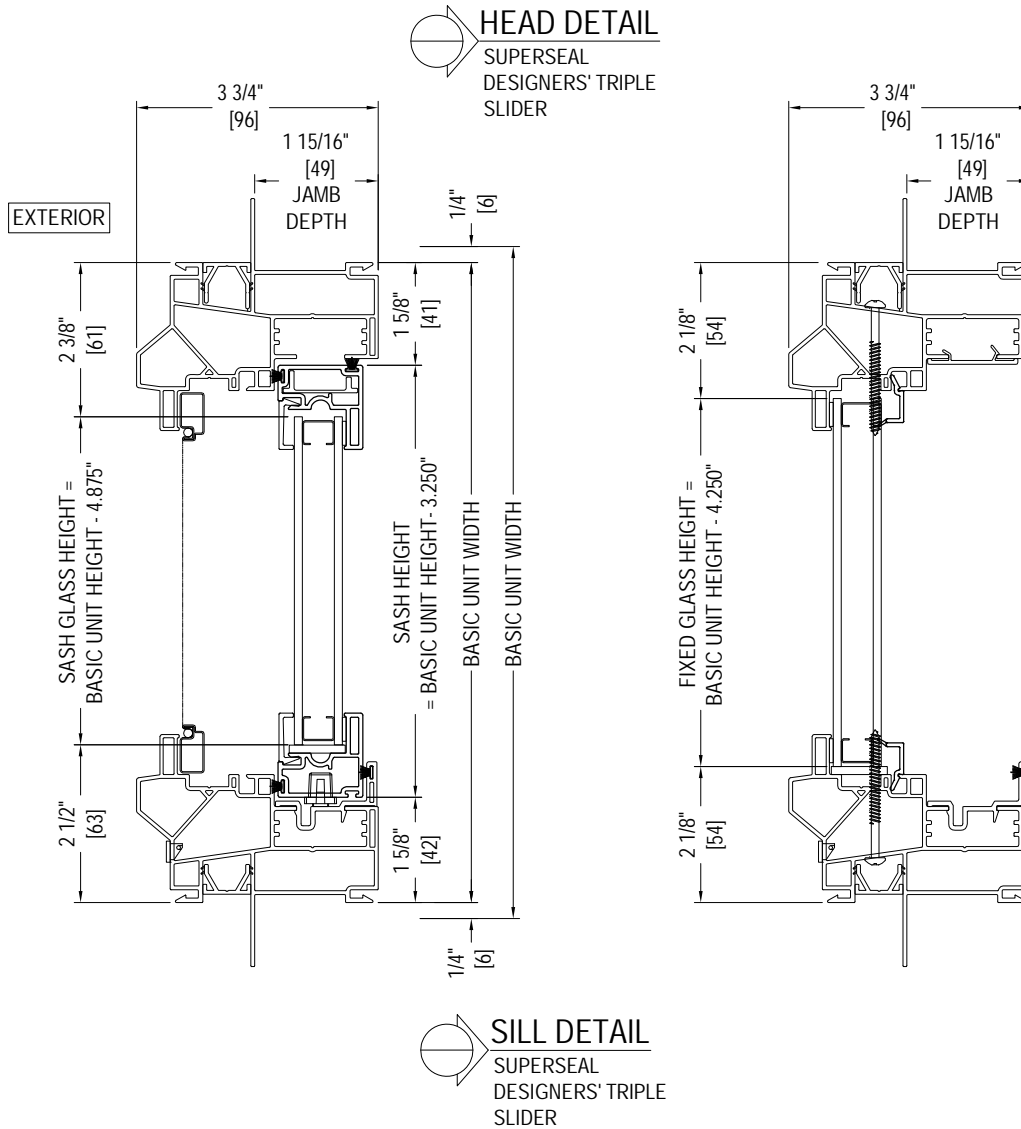
New Construction

Drawn to Full Scale
Printed to 4" = 1' Scale
Merrill Wi
7800

SIZING HEIGHT FORMULAS

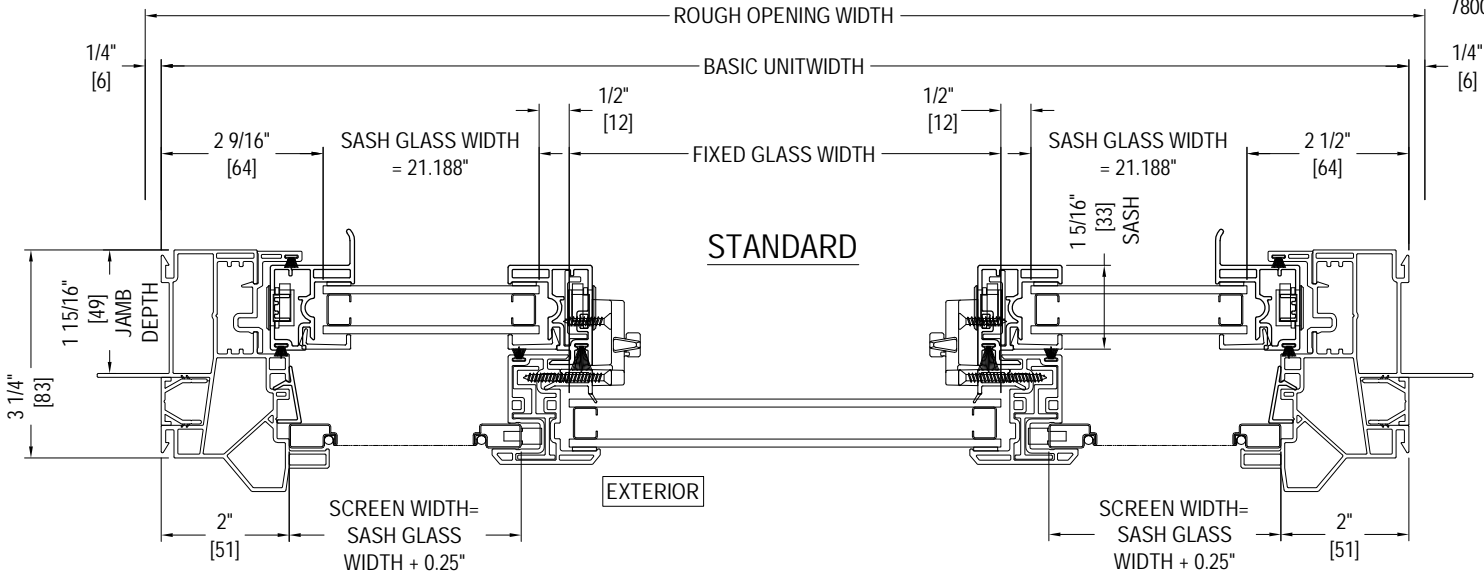
SASH GLASS HEIGHT = BASIC UNIT HEIGHT - 4.875"
SASH HEIGHT = BASIC UNIT HEIGHT - 3.250"
FIXED GLASS HEIGHT = BASIC UNIT HEIGHT - 4.250"

SCREEN HEIGHT = BASIC UNIT HEIGHT - 4.062" or
SASH GLASS HEIGHT + 0.812"



New Construction

Drawn to Full Scale
Printed to 4" = 1' Scale
Merrill Wi
7800

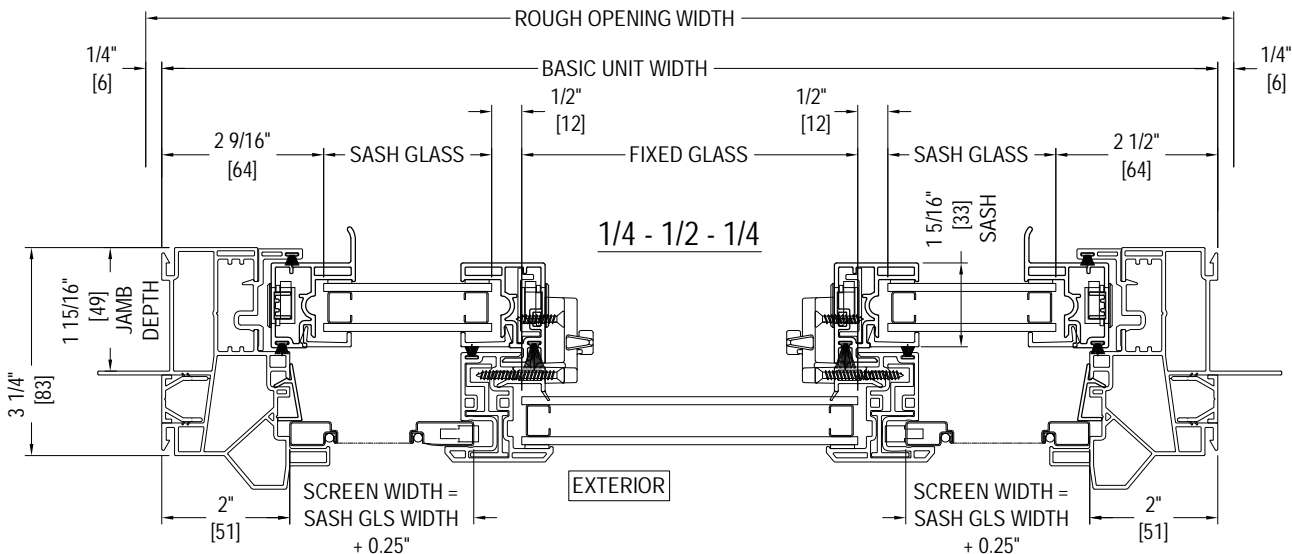


SIZING WIDTH FORMULAS
3 - WIDE UNITS - STANDARD

BASIC UNIT WIDTH = (21.188" x 2) + FIXED GLASS WIDTH + 6.000"
 SASH WIDTH = SASH GLASS WIDTH + 1.656"
 SASH GLASS WIDTH = 21.188"
 FIXED GLASS WIDTH = (BASIC UNIT WIDTH - (21.188" x 2) - 6.000"

SCREEN WIDTH = SASH GLASS WIDTH + 0.250"

JAMB DETAIL
SUPERSEAL DESIGNERS' TRIPLE SLIDER,
STANDARD



SIZING WIDTH FORMULAS
3 - WIDE UNITS - 1/4-1/2-1/4

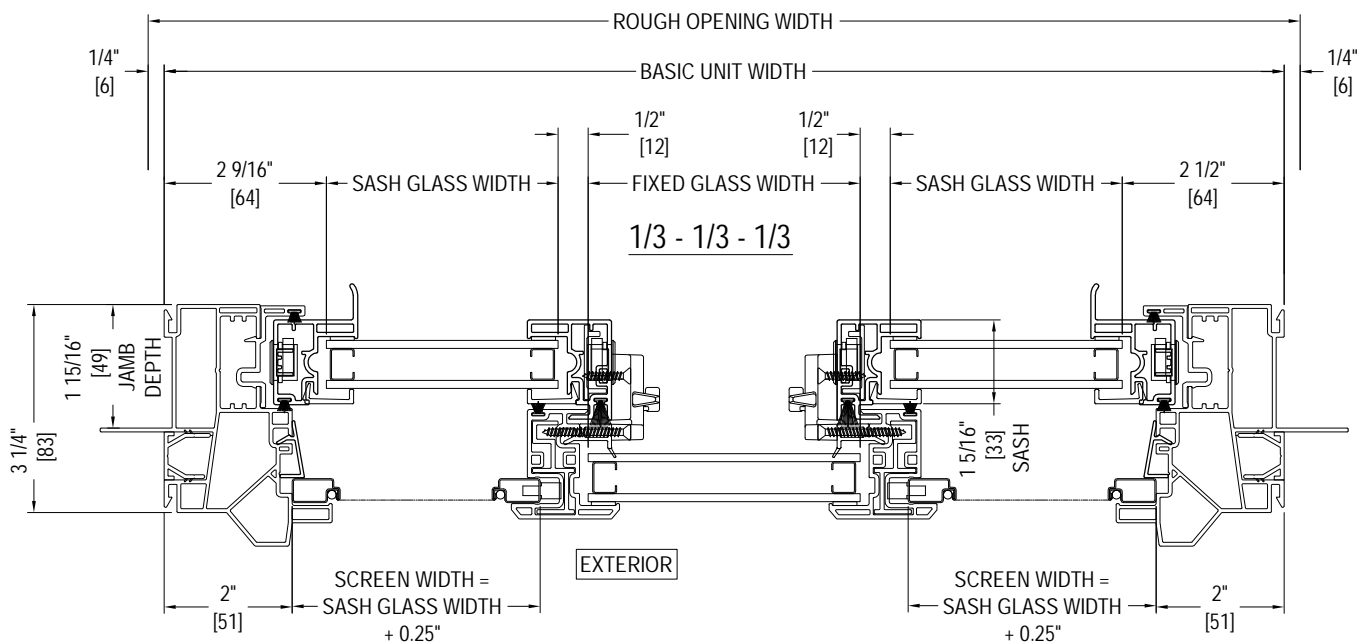
BASIC UNIT WIDTH = (SASH GLASS WIDTH x 4) + 6.00"
 SASH WIDTH = SASH GLASS WIDTH + 1.656"
 SASH GLASS = (BASIC UNIT WIDTH - 6.000") / 4
 FIXED GLASS = (BASIC UNIT WIDTH - 6.000") / 2

SCREEN WIDTH = (SASH GLASS WIDTH + 0.250")

JAMB DETAIL
SUPERSEAL DESIGNERS' TRIPLE SLIDER,
1/4 - 1/2 - 1/4

New Construction

Drawn to Full Scale
Printed to 4" = 1' Scale
Merrill Wi
7800



SIZING WIDTH FORMULAS
3 - WIDE UNITS - 1/3-1/3-1/3

- BASIC UNIT WIDTH = (GLASS WIDTH x 3) + 6.000"
- SASH WIDTH = SASH GLASS WIDTH + 1.656"
- SASH GLASS WIDTH = (BASIC UNIT WIDTH - 6.000") / 3
- FIXED GLASS WIDTH = (BASIC UNIT WIDTH - 6.000") / 3

SCREEN WIDTH = SASH GLASS WIDTH + 0.250"



JAMB DETAIL

SUPERSEAL DESIGNERS' TRIPLE SLIDER,
1/3 - 1/3 - 1/3

Replacement

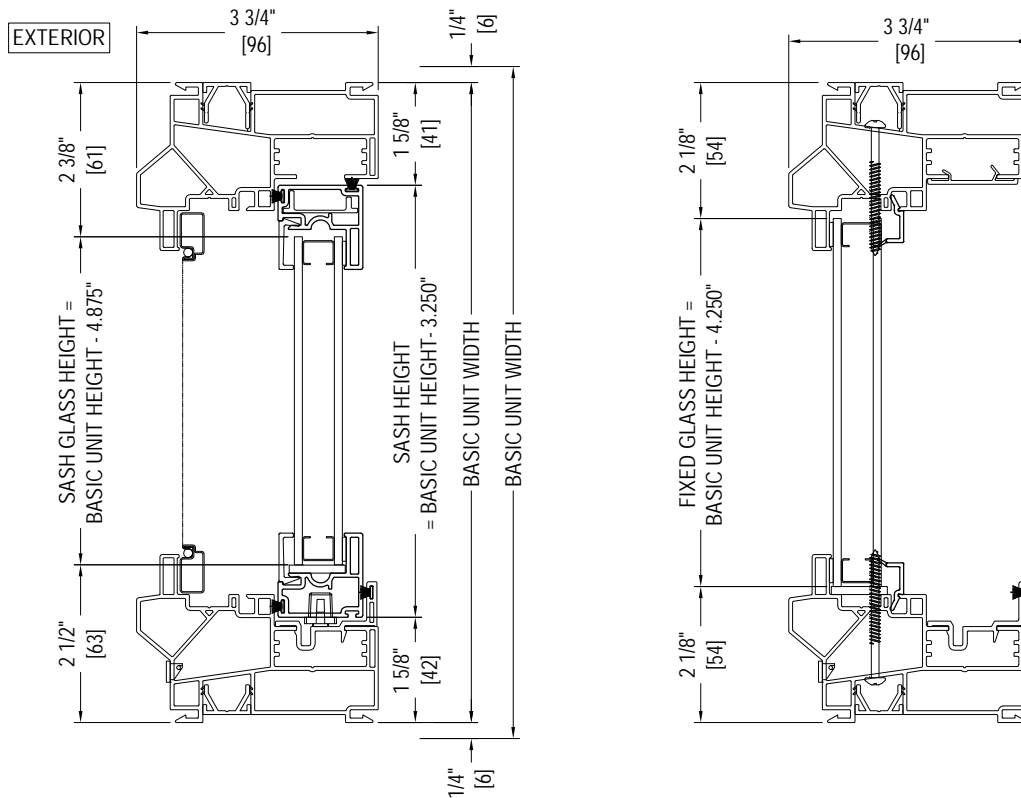
Drawn to Full Scale
Printed to 4" = 1' Scale
Merrill Wi
7800

SIZING HEIGHT FORMULAS

SASH GLASS HEIGHT = BASIC UNIT HEIGHT - 4.875"
SASH HEIGHT = BASIC UNIT HEIGHT - 3.250"
FIXED GLASS HEIGHT = BASIC UNIT HEIGHT - 4.250"

SCREEN HEIGHT = BASIC UNIT HEIGHT - 4.062" or
SASH GLASS HEIGHT + 0.812"

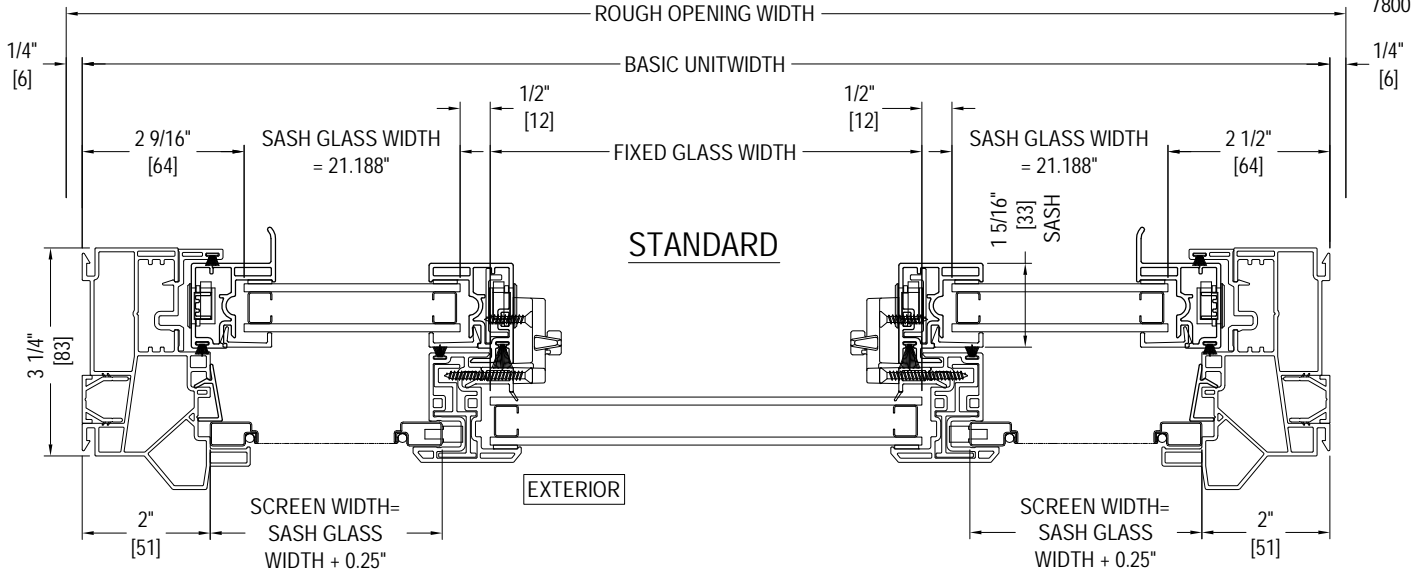
HEAD DETAIL
SUPERSEAL
DESIGNERS' TRIPLE
SLIDER



SILL DETAIL
SUPERSEAL
DESIGNERS' TRIPLE
SLIDER

Replacement

Drawn to Full Scale
Printed to 4" = 1' Scale
Merrill Wi
7800

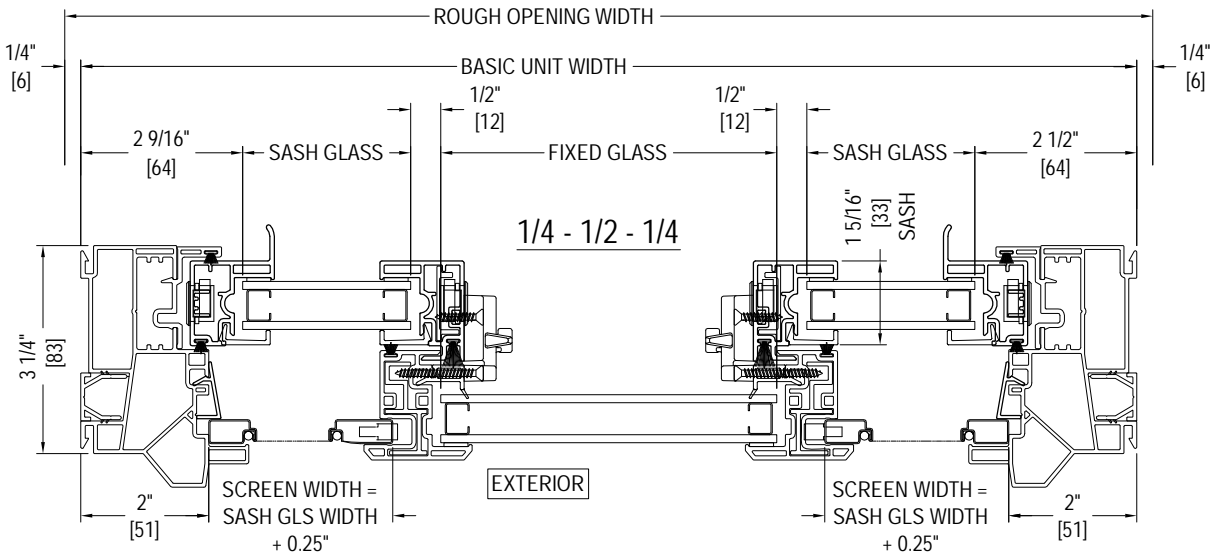


SIZING WIDTH FORMULAS
3 - WIDE UNITS - STANDARD

BASIC UNIT WIDTH = (21.188" x 2) + FIXED GLASS WIDTH + 6.000"
SASH WIDTH = SASH GLASS WIDTH + 1.656"
SASH GLASS WIDTH = 21.188"
FIXED GLASS WIDTH = (BASIC UNIT WIDTH - (21.188" x 2) - 6.000"

SCREEN WIDTH = SASH GLASS WIDTH + 0.250"

JAMB DETAIL
SUPERSEAL DESIGNERS' TRIPLE SLIDER,
STANDARD



SIZING WIDTH FORMULAS
3 - WIDE UNITS - 1/4-1/2-1/4

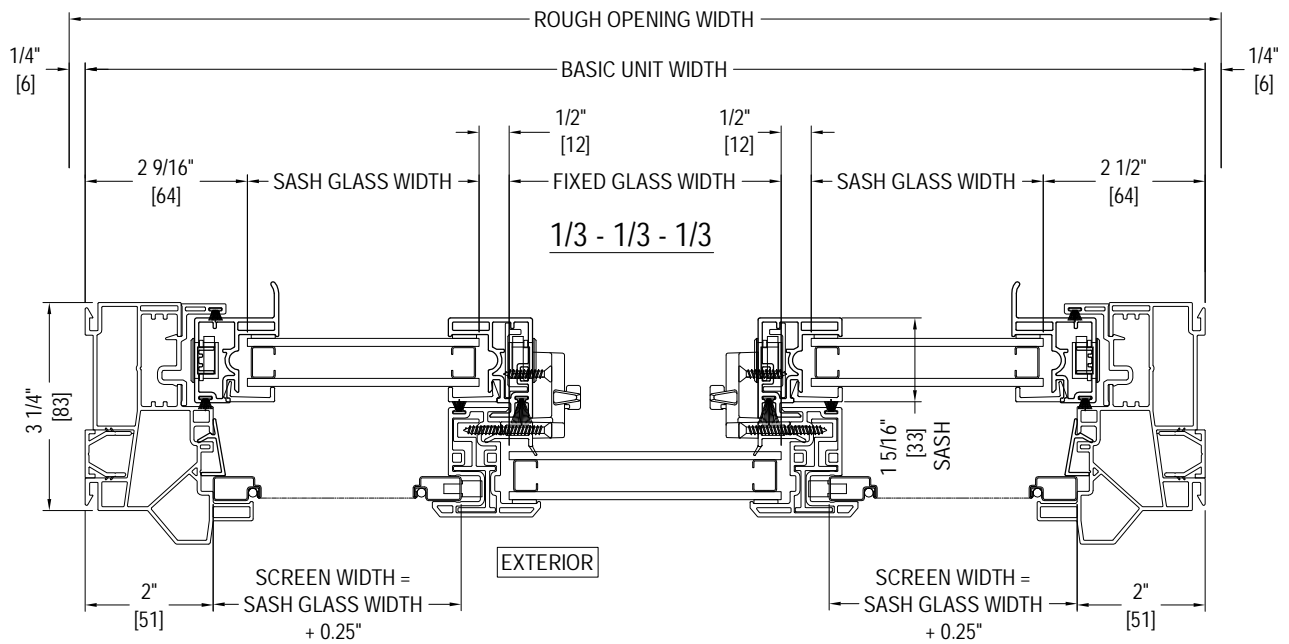
BASIC UNIT WIDTH = (SASH GLASS WIDTH x 4) + 6.00"
SASH WIDTH = SASH GLASS WIDTH + 1.656"
SASH GLASS = (BASIC UNIT WIDTH - 6.000") / 4
FIXED GLASS = (BASIC UNIT WIDTH - 6.000") / 2

SCREEN WIDTH = (SASH GLASS WIDTH + 0.250")

JAMB DETAIL
SUPERSEAL DESIGNERS' TRIPLE SLIDER,
1/4 - 1/2 - 1/4

Replacement

Drawn to Full Scale
Printed to 4" = 1' Scale
Merrill Wi
7800



SIZING WIDTH FORMULAS
3 - WIDE UNITS - 1/3-1/3-1/3

- BASIC UNIT WIDTH = (GLASS WIDTH x 3) + 6.000"
- SASH WIDTH = SASH GLASS WIDTH + 1.656"
- SASH GLASS WIDTH = (BASIC UNIT WIDTH - 6.000") / 3
- FIXED GLASS WIDTH = (BASIC UNIT WIDTH - 6.000") / 3

SCREEN WIDTH = SASH GLASS WIDTH + 0.250"



JAMB DETAIL

SUPERSEAL DESIGNERS' TRIPLE SLIDER,
1/3 - 1/3 - 1/3