

### New Construction

**SIZING HEIGHT FORMULAS**

SASH GLASS HEIGHT = BASIC UNIT HEIGHT - 4.875"

SASH HEIGHT = BASIC UNIT HEIGHT - 3.250"

FIXED GLASS HEIGHT = BASIC UNIT HEIGHT - 4.250"

SCREEN HEIGHT = BASIC UNIT HEIGHT - 4.062" or  
SASH GLASS HEIGHT + 0.812"

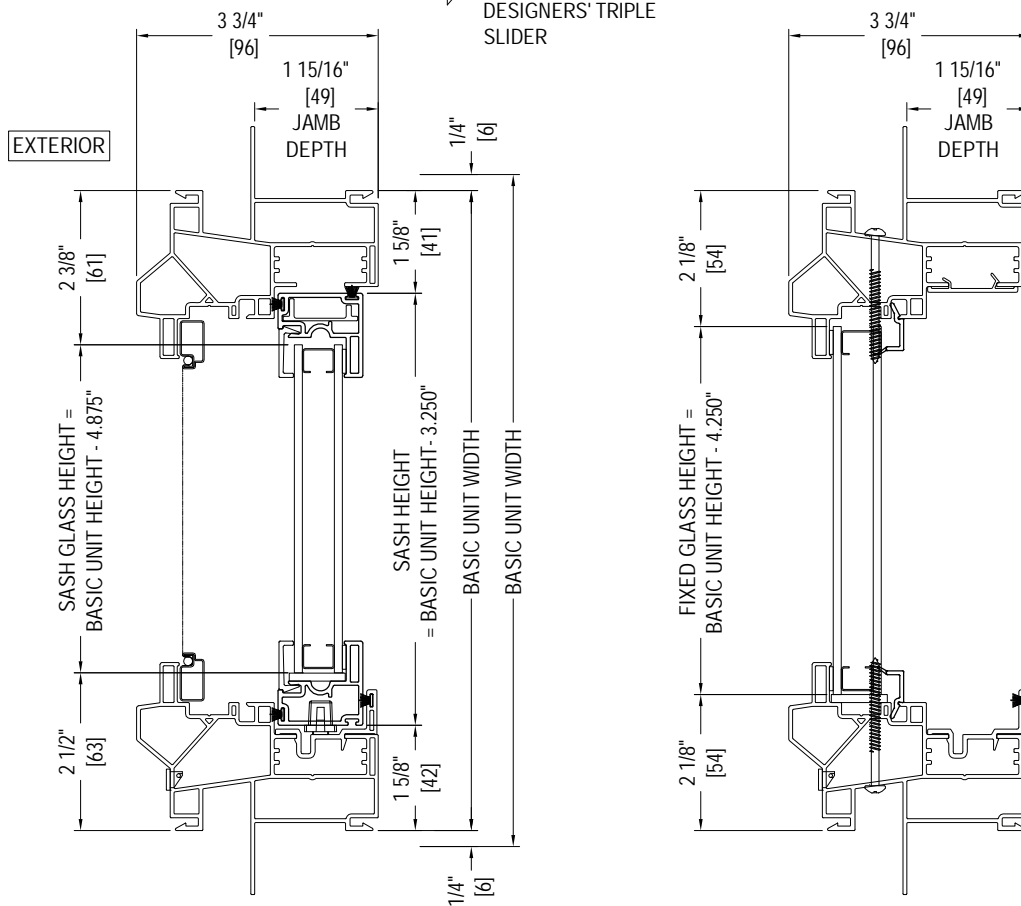
Drawn to Full Scale

Printed to 4" = 1' Scale

Merrill Wi

7800

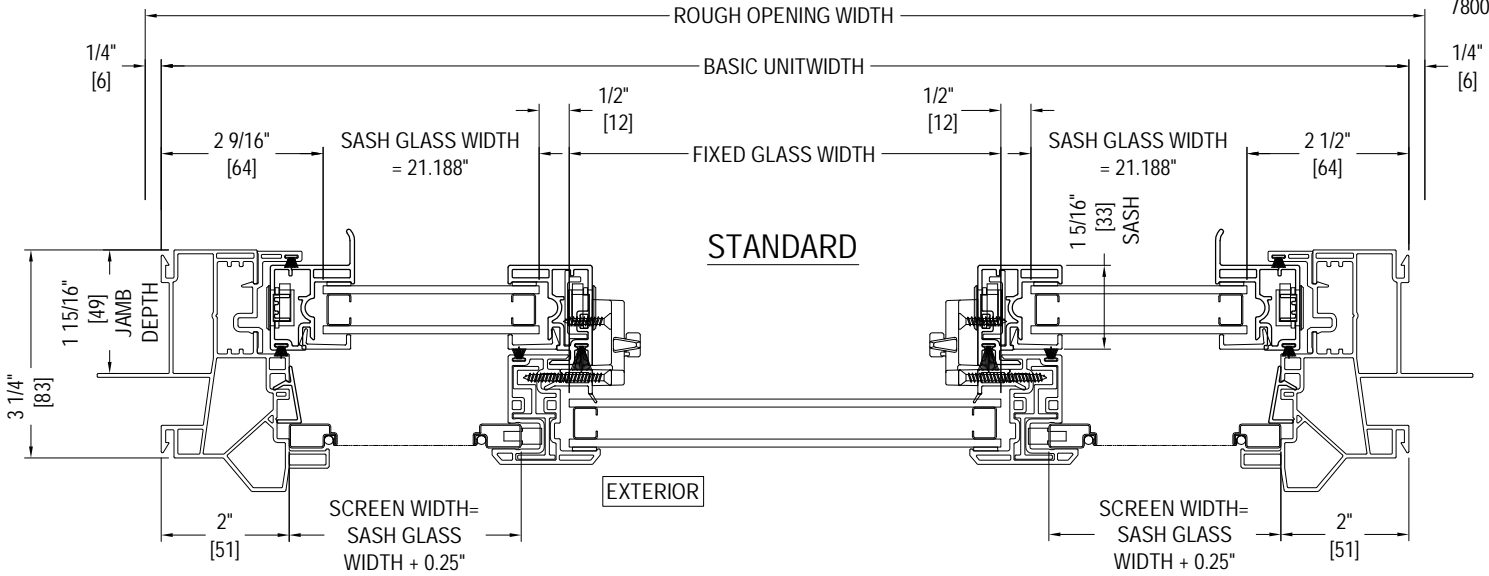
**HEAD DETAIL**  
SUPERSEAL  
DESIGNERS' TRIPLE  
SLIDER



**SILL DETAIL**  
SUPERSEAL  
DESIGNERS' TRIPLE  
SLIDER

### New Construction

Drawn to Full Scale  
Printed to 4" = 1' Scale  
Merrill Wi  
7800

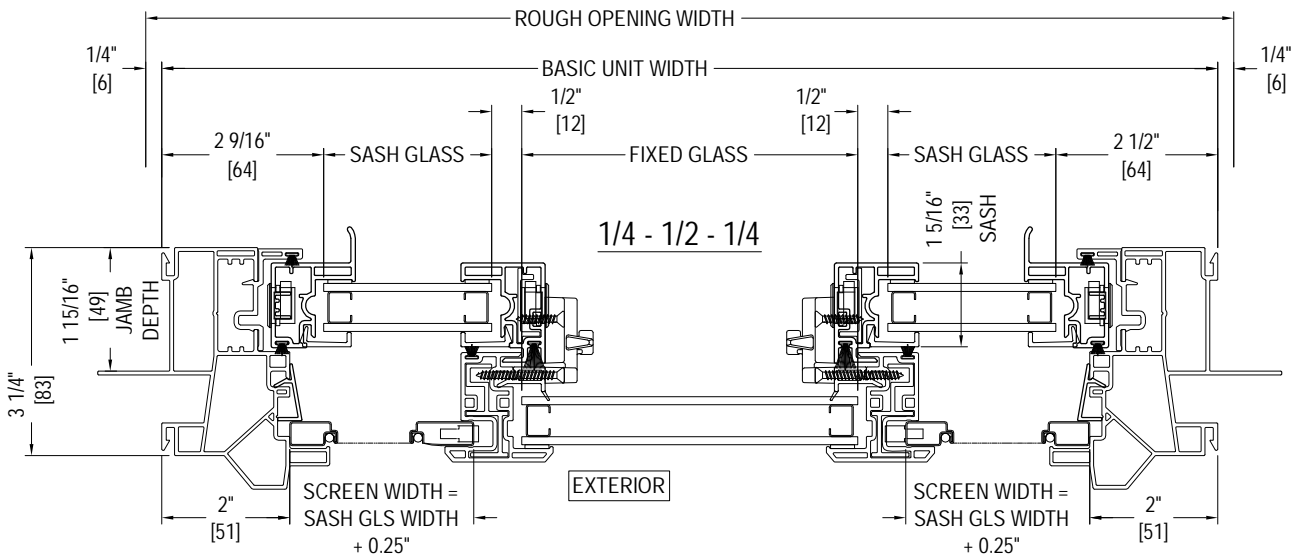


**SIZING WIDTH FORMULAS**  
**3 - WIDE UNITS - STANDARD**

BASIC UNIT WIDTH = (21.188" x 2) + FIXED GLASS WIDTH + 6.000"  
 SASH WIDTH = SASH GLASS WIDTH + 1.656"  
 SASH GLASS WIDTH = 21.188"  
 FIXED GLASS WIDTH = (BASIC UNIT WIDTH - (21.188" x 2) - 6.000"

SCREEN WIDTH = SASH GLASS WIDTH + 0.250"

**JAMB DETAIL**  
SUPERSEAL DESIGNERS' TRIPLE SLIDER,  
STANDARD



**SIZING WIDTH FORMULAS**  
**3 - WIDE UNITS - 1/4-1/2-1/4**

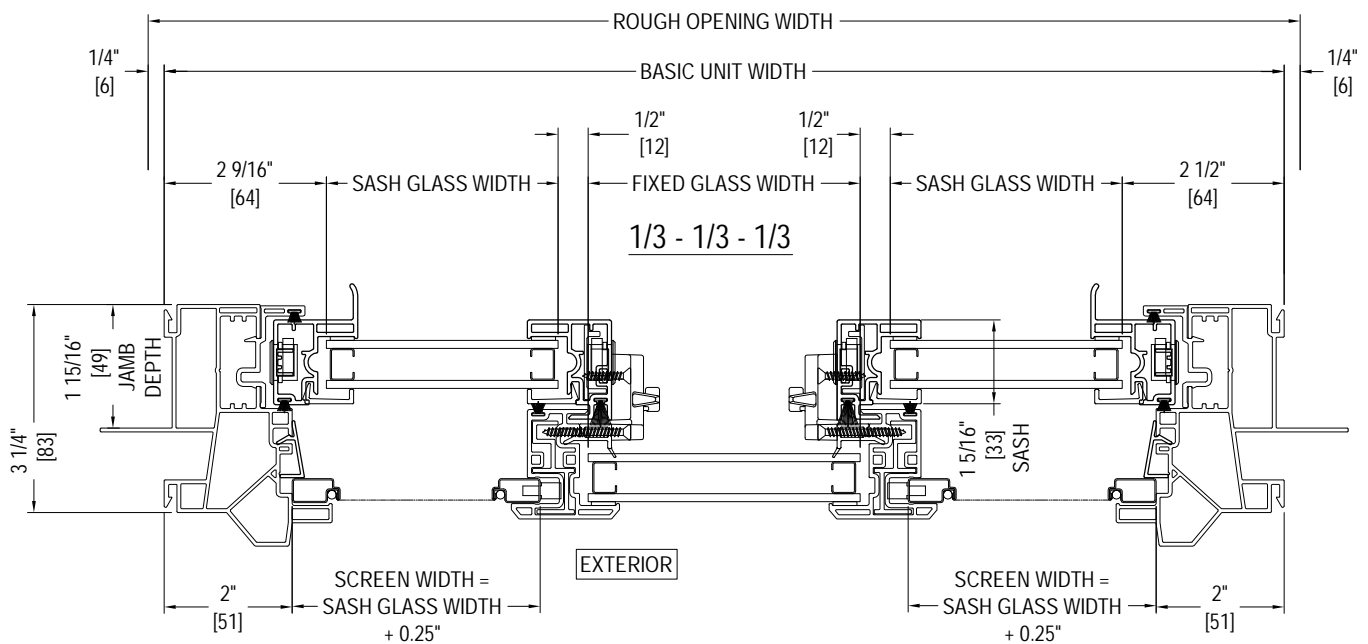
BASIC UNIT WIDTH = (SASH GLASS WIDTH x 4) + 6.00"  
 SASH WIDTH = SASH GLASS WIDTH + 1.656"  
 SASH GLASS = (BASIC UNIT WIDTH - 6.000") / 4  
 FIXED GLASS = (BASIC UNIT WIDTH - 6.000") / 2

SCREEN WIDTH = (SASH GLASS WIDTH + 0.250")

**JAMB DETAIL**  
SUPERSEAL DESIGNERS' TRIPLE SLIDER,  
1/4 - 1/2 - 1/4

*New Construction*

Drawn to Full Scale  
Printed to 4" = 1' Scale  
Merrill Wi  
7800



**SIZING WIDTH FORMULAS**  
**3 - WIDE UNITS - 1/3-1/3-1/3**

- BASIC UNIT WIDTH = (GLASS WIDTH x 3) + 6.000"
- SASH WIDTH = SASH GLASS WIDTH + 1.656"
- SASH GLASS WIDTH = (BASIC UNIT WIDTH - 6.000") / 3
- FIXED GLASS WIDTH = (BASIC UNIT WIDTH - 6.000") / 3

SCREEN WIDTH = SASH GLASS WIDTH + 0.250"



**JAMB DETAIL**

SUPERSEAL DESIGNERS' TRIPLE SLIDER,  
1/3 - 1/3 - 1/3

### Replacement

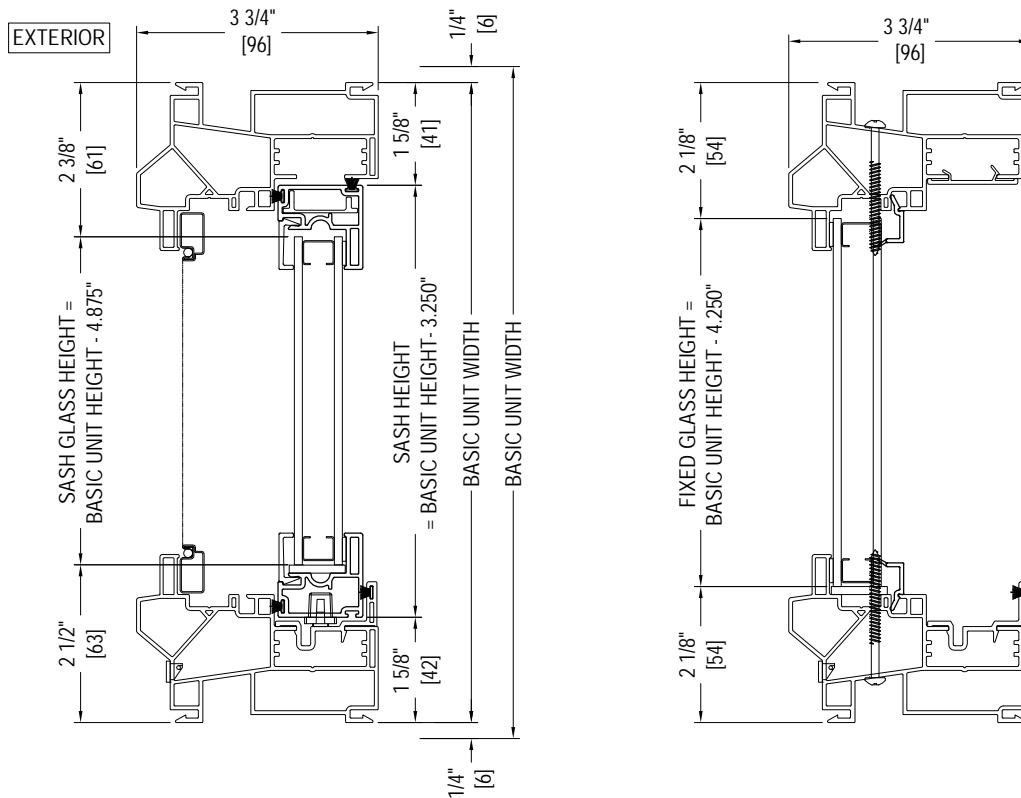
Drawn to Full Scale  
Printed to 4" = 1' Scale  
Merrill Wi  
7800

**SIZING HEIGHT FORMULAS**

SASH GLASS HEIGHT = BASIC UNIT HEIGHT - 4.875"  
SASH HEIGHT = BASIC UNIT HEIGHT - 3.250"  
FIXED GLASS HEIGHT = BASIC UNIT HEIGHT - 4.250"

SCREEN HEIGHT = BASIC UNIT HEIGHT - 4.062" or  
SASH GLASS HEIGHT + 0.812"

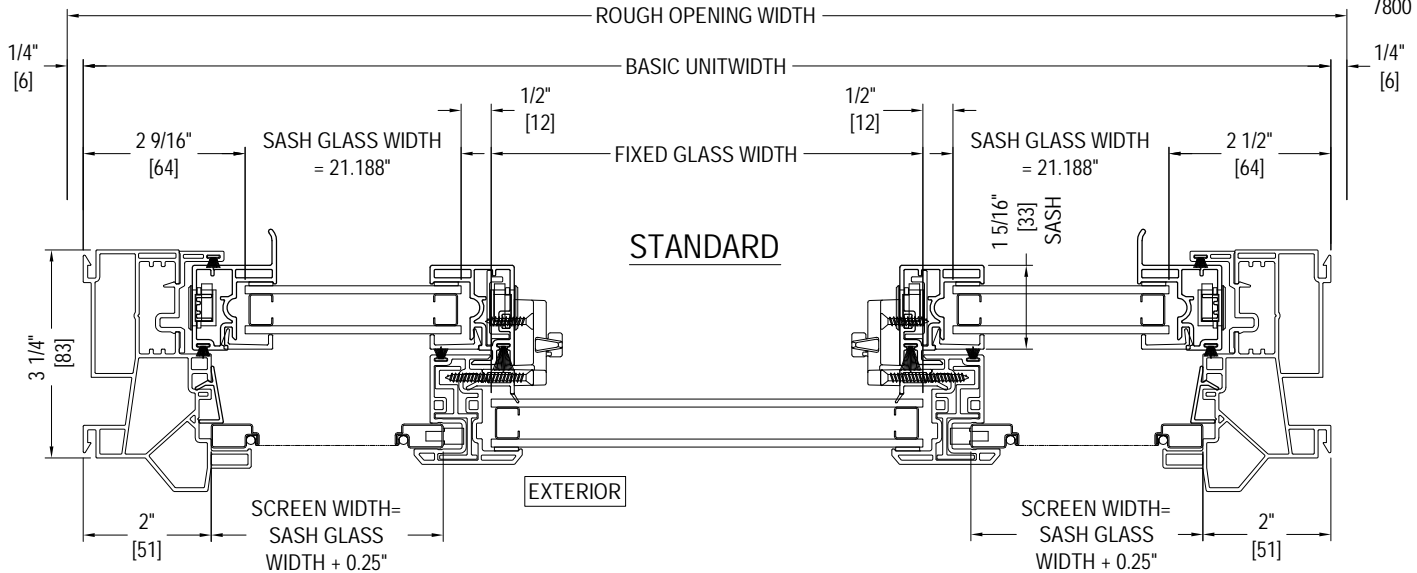
**HEAD DETAIL**  
SUPERSEAL  
DESIGNERS' TRIPLE  
SLIDER



**SILL DETAIL**  
SUPERSEAL  
DESIGNERS' TRIPLE  
SLIDER

### Replacement

Drawn to Full Scale  
Printed to 4" = 1' Scale  
Merrill Wi  
7800

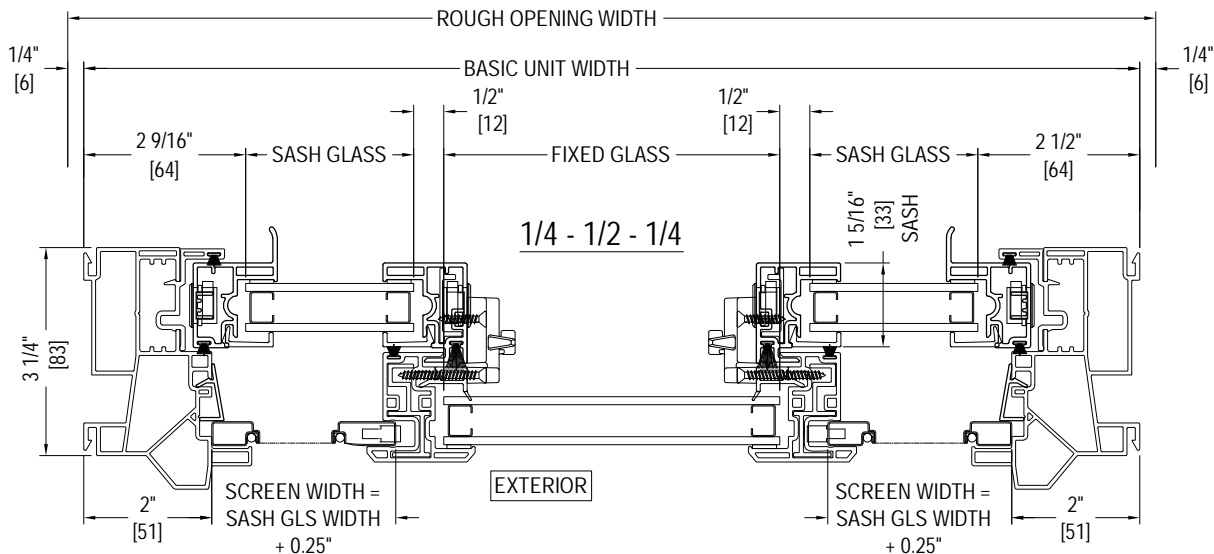


**SIZING WIDTH FORMULAS**  
**3 - WIDE UNITS - STANDARD**

BASIC UNIT WIDTH = (21.188" x 2) + FIXED GLASS WIDTH + 6.000"  
SASH WIDTH = SASH GLASS WIDTH + 1.656"  
SASH GLASS WIDTH = 21.188"  
FIXED GLASS WIDTH = (BASIC UNIT WIDTH - (21.188" x 2) - 6.000"

SCREEN WIDTH = SASH GLASS WIDTH + 0.250"

**JAMB DETAIL**  
SUPERSEAL DESIGNERS' TRIPLE SLIDER,  
STANDARD



**SIZING WIDTH FORMULAS**  
**3 - WIDE UNITS - 1/4-1/2-1/4**

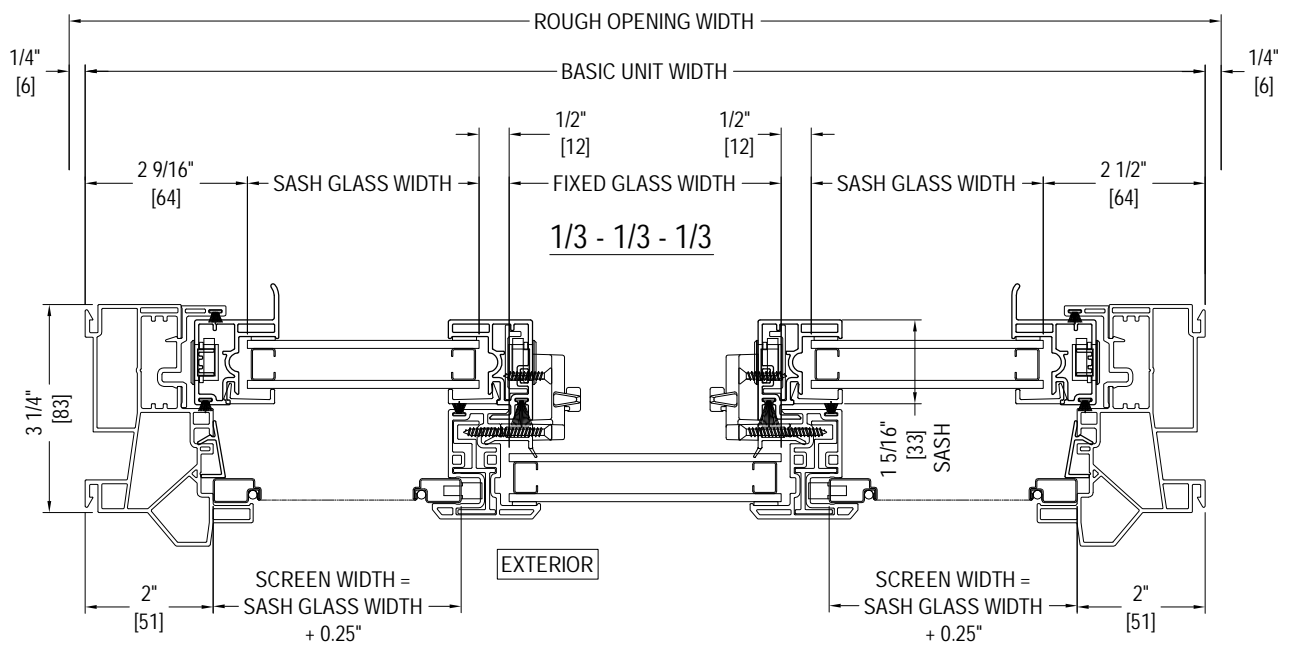
BASIC UNIT WIDTH = (SASH GLASS WIDTH x 4) + 6.00"  
SASH WIDTH = SASH GLASS WIDTH + 1.656"  
SASH GLASS = (BASIC UNIT WIDTH - 6.000") / 4  
FIXED GLASS = (BASIC UNIT WIDTH - 6.000") / 2

SCREEN WIDTH = (SASH GLASS WIDTH + 0.250")

**JAMB DETAIL**  
SUPERSEAL DESIGNERS' TRIPLE SLIDER,  
1/4 - 1/2 - 1/4

### Replacement

Drawn to Full Scale  
Printed to 4" = 1' Scale  
Merrill Wi  
7800



**SIZING WIDTH FORMULAS**  
**3 - WIDE UNITS - 1/3-1/3-1/3**

BASIC UNIT WIDTH = (GLASS WIDTH x 3) + 6.000"  
 SASH WIDTH = SASH GLASS WIDTH + 1.656"  
 SASH GLASS WIDTH = (BASIC UNIT WIDTH - 6.000") / 3  
 FIXED GLASS WIDTH = (BASIC UNIT WIDTH - 6.000") / 3

SCREEN WIDTH = SASH GLASS WIDTH + 0.250"



**JAMB DETAIL**

SUPERSEAL DESIGNERS' TRIPLE SLIDER,  
1/3 - 1/3 - 1/3