

**SIZING WIDTH FORMULAS, 2-WIDE UNITS**

BASIC UNIT WIDTH = GLASS WIDTH X 2 + 5.125"

GLASS WIDTH = BASIC UNIT WIDTH / 2 - 2.5625"

SASH WIDTH = BASIC UNIT WIDTH / 2 - 0.9065" or  
GLASS WIDTH + 1.656"

SCREEN = SASH GLASS

**SIZING HEIGHT FORMULAS**

SASH GLASS HEIGHT = BASIC UNIT HEIGHT - 4.875"

SASH HEIGHT = BASIC UNIT HEIGHT - 3.250"

FIXED GLASS HEIGHT = BASIC UNIT HEIGHT - 4.250"

SCREEN HEIGHT = BASIC UNIT HEIGHT - 4.062" or  
SASH GLASS HEIGHT + 0.812"

### New Construction



#### HEAD DETAIL

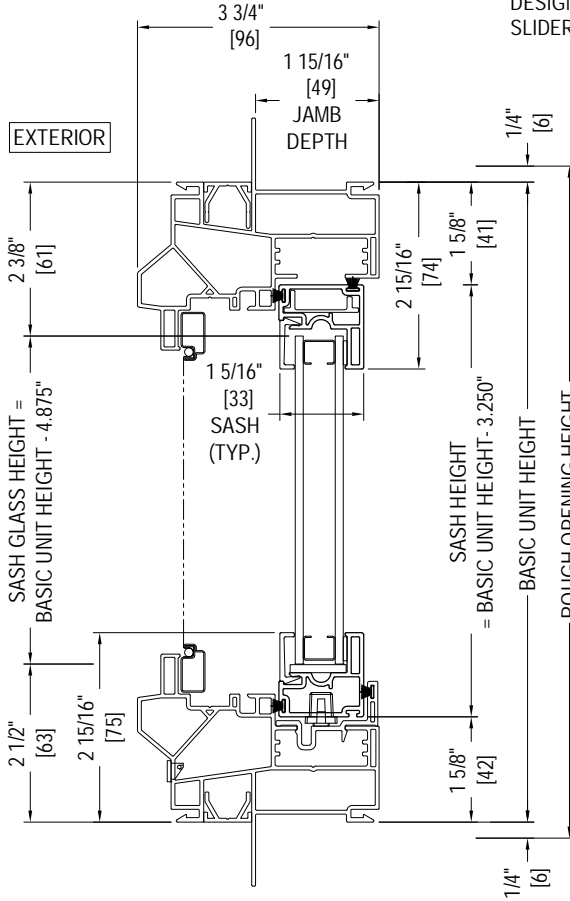
SUPERSEAL  
DESIGNERS' SINGLE  
SLIDER

Drawn to Full Scale

Printed to 4" = 1' Scale

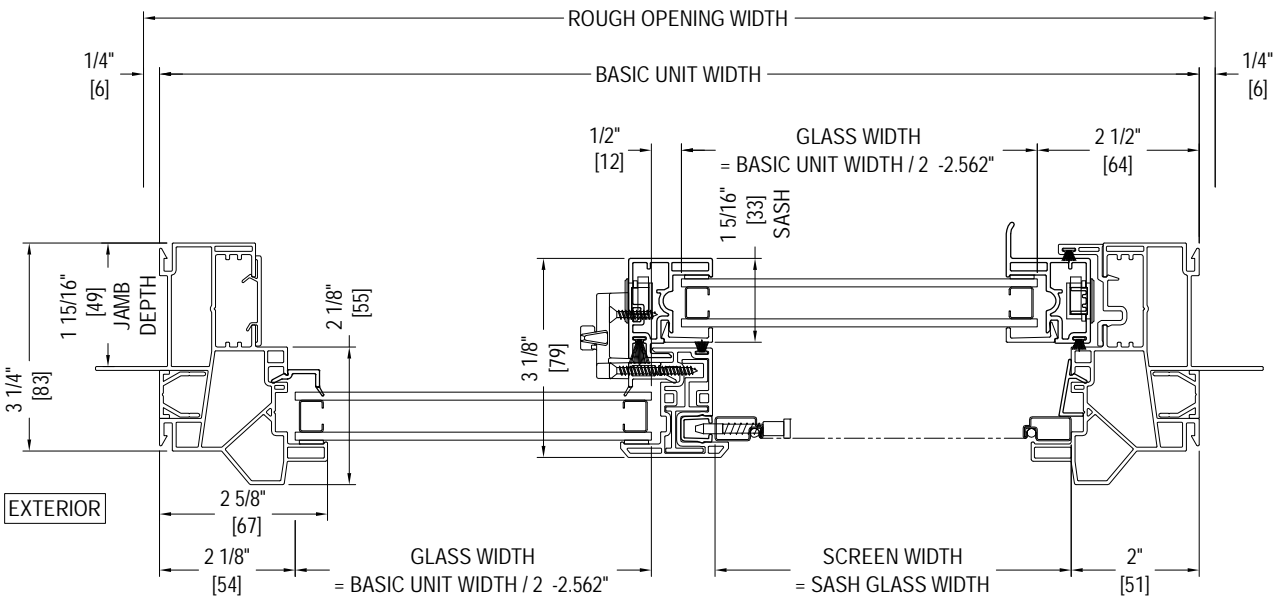
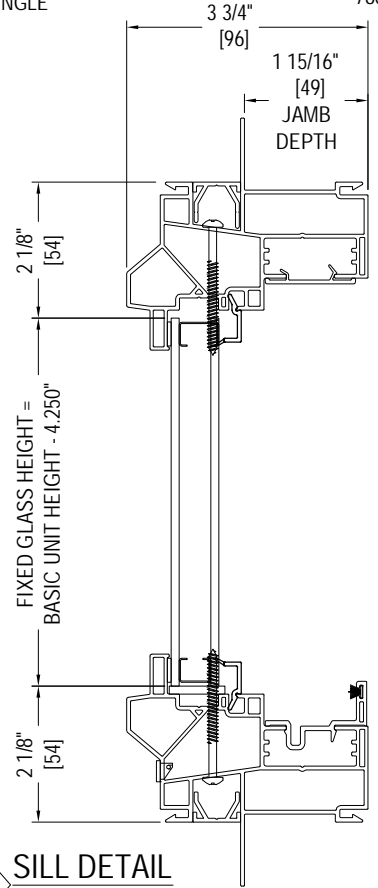
Merrill Wi

7800



#### SILL DETAIL

SUPERSEAL  
DESIGNERS' SINGLE  
SLIDER



#### JAMB DETAIL

SUPERSEAL DESIGNERS' SINGLE SLIDER  
FIXED / RIGHT SHOWN. ALSO AVAILABLE AS  
L FTT / FIXED

**SIZING WIDTH FORMULAS, 2-WIDE UNITS**

BASIC UNIT WIDTH = GLASS WIDTH X 2 + 5.125"  
 GLASS WIDTH = BASIC UNIT WIDTH / 2 - 2.5625"  
 SASH WIDTH = BASIC UNIT WIDTH / 2 - 0.9065" or  
 GLASS WIDTH + 1.656"

SCREEN = SASH GLASS

**SIZING HEIGHT FORMULAS**

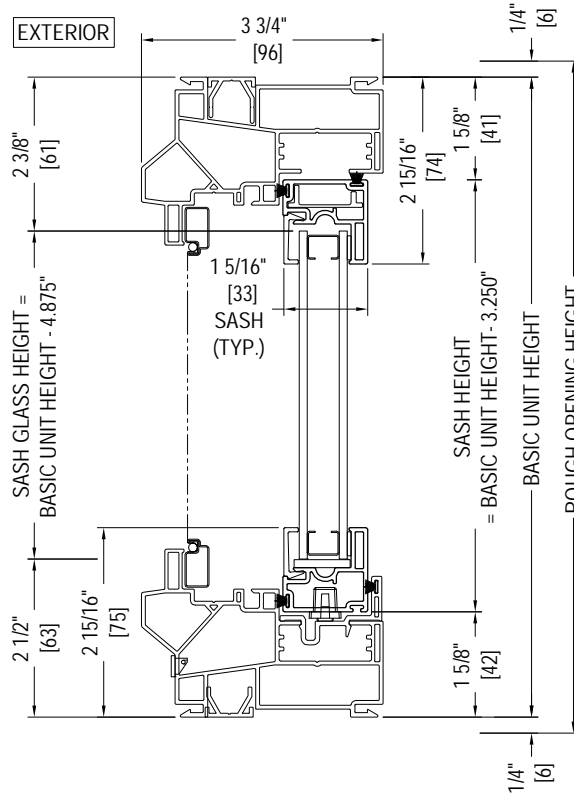
SASH GLASS HEIGHT = BASIC UNIT HEIGHT - 4.875"  
 SASH HEIGHT = BASIC UNIT HEIGHT - 3.250"  
 FIXED GLASS HEIGHT = BASIC UNIT HEIGHT - 4.250"  
 SCREEN HEIGHT = BASIC UNIT HEIGHT - 4.062" or  
 SASH GLASS HEIGHT + 0.812"

### Replacement

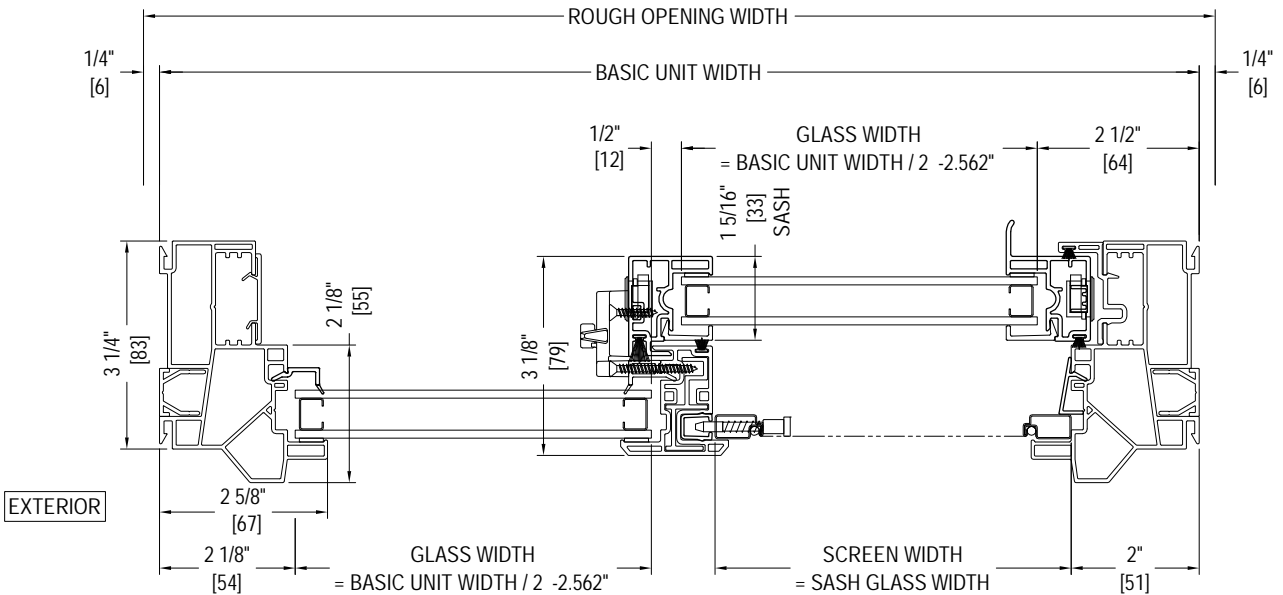
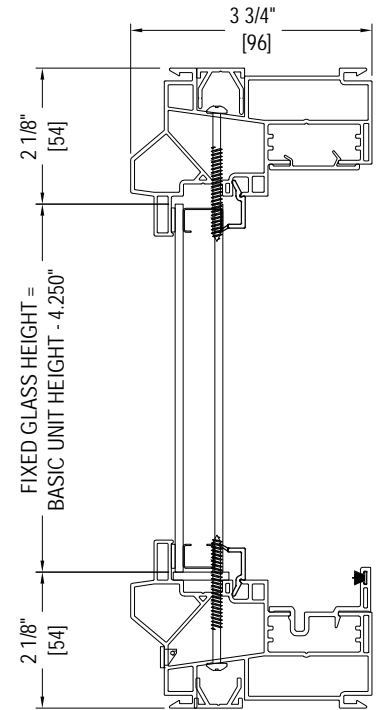


**HEAD DETAIL**  
 SUPERSEAL  
 DESIGNERS' SINGLE  
 SLIDER

Drawn to Full Scale  
 Printed to 4" = 1' Scale  
 Merrill Wi  
 7800



**SILL DETAIL**  
 SUPERSEAL  
 DESIGNERS' SINGLE  
 SLIDER



**JAMB DETAIL**  
 SUPERSEAL DESIGNERS' SINGLE SLIDER  
 FIXED / RIGHT SHOWN. ALSO AVAILABLE AS  
 LEFT / FIXED