

New Construction

Drawn to Full Scale
Printed to 4" = 1' Scale
Merrill Wi
7800

SIZING WIDTH FORMULAS

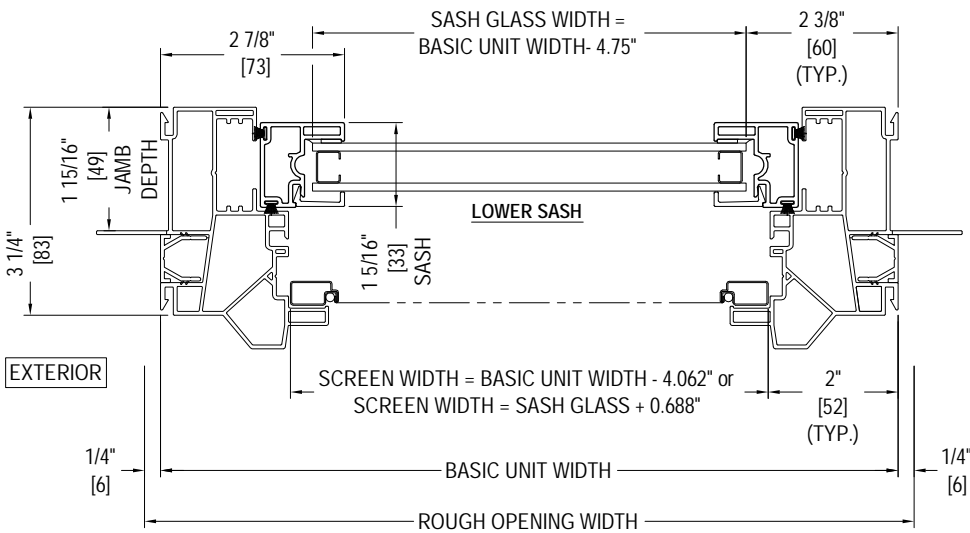
BASIC UNIT WIDTH = (SASH GLASS + 4.75")
 BASIC UNIT WIDTH = (FIXED GLASS + 4.25")
 SASH GLASS WIDTH = (BASIC UNIT - 4.75")
 FIXED GLASS WIDTH = (BASIC UNIT - 4.25")
 SASH WIDTH = (BASIC UNIT - 3.125")
 SASH WIDTH = (SASH GLASS + 1.625")

SCREEN = (SASH GLASS + 0.688")
 SCREEN = (BASIC UNIT - 4.062")

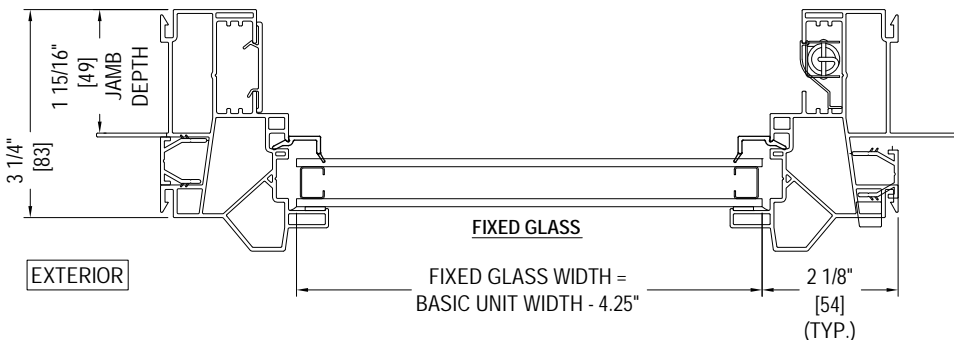
SIZING HEIGHT FORMULAS

BASIC UNIT HEIGHT = (GLASS x 2) + 4.500"
 GLASS HEIGHT = (BASIC UNIT / 2) - 2.250"
 SASH HEIGHT = (BASIC UNIT / 2) - 0.625"
 SASH HEIGHT = GLASS + 1.625"

SCREEN = SASH GLASS + 0.625"

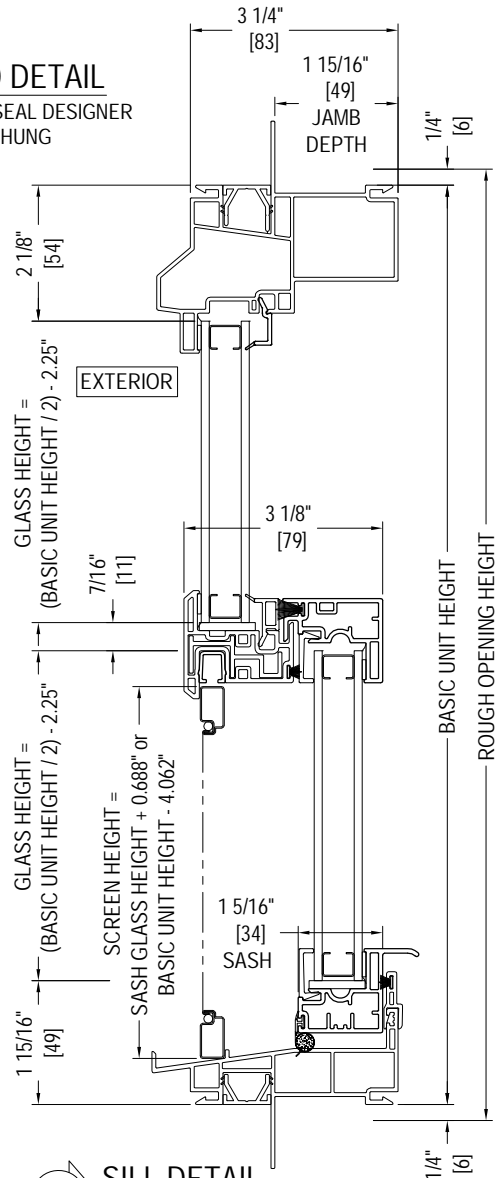


JAMB DETAIL, LOWER SASH
SUPERSEAL DESIGNER SINGLE HUNG



JAMB DETAIL, FIXED GLASS
SUPERSEAL DESIGNER SINGLE HUNG

HEAD DETAIL
SUPERSEAL DESIGNER
SINGLE HUNG



SILL DETAIL
SUPERSEAL DESIGNER
SINGLE HUNG

Replacement

Drawn to Full Scale
Printed to 4" = 1' Scale
Merrill Wi
7800

SIZING WIDTH FORMULAS

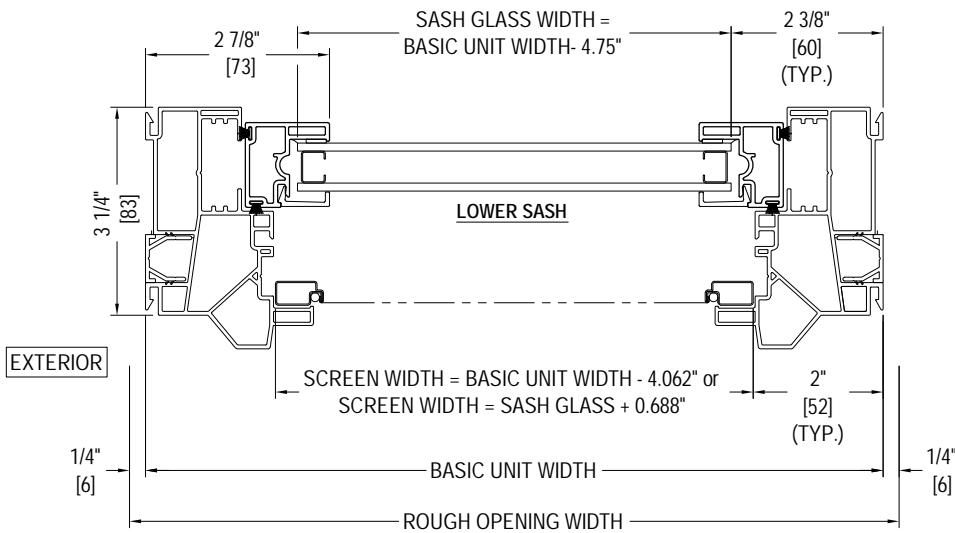
- BASIC UNIT WIDTH = (SASH GLASS + 4.75")
- BASIC UNIT WIDTH = (FIXED GLASS + 4.25")
- SASH GLASS WIDTH = (BASIC UNIT - 4.75")
- FIXED GLASS WIDTH = (BASIC UNIT - 4.25")
- SASH WIDTH = (BASIC UNIT - 3.125")
- SASH WIDTH = (SASH GLASS + 1.625")

- SCREEN = (SASH GLASS + 0.688")
- SCREEN = (BASIC UNIT - 4.062")

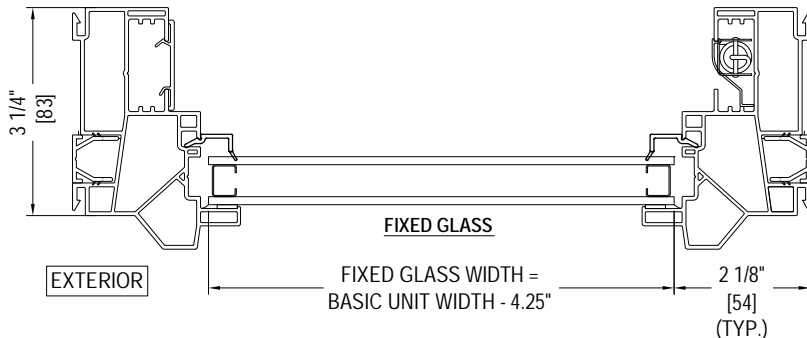
SIZING HEIGHT FORMULAS

- BASIC UNIT HEIGHT = (GLASS x 2) + 4.500"
- GLASS HEIGHT = (BASIC UNIT / 2) - 2.250"
- SASH HEIGHT = (BASIC UNIT / 2) - 0.625"
- SASH HEIGHT = GLASS + 1.625"

- SCREEN = SASH GLASS + 0.625"

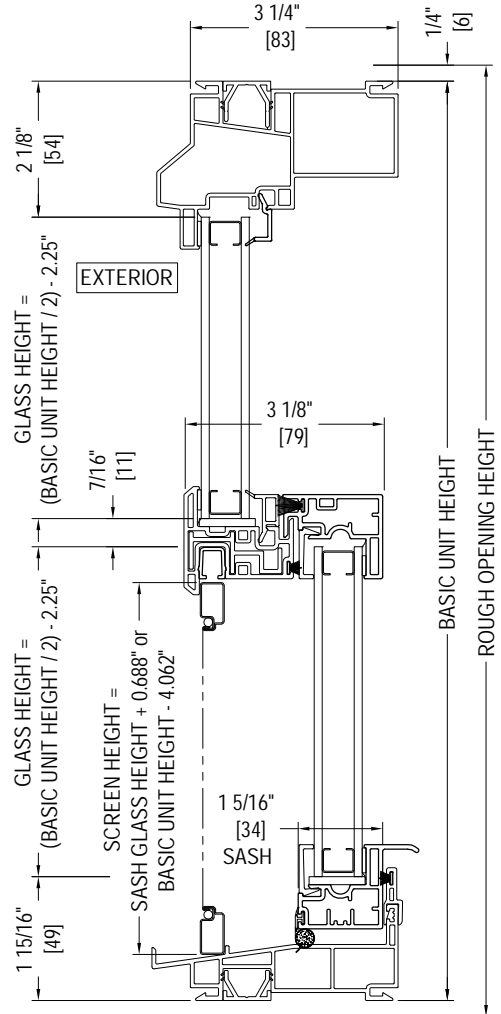


JAMB DETAIL, LOWER SASH
SUPERSEAL DESIGNER SINGLE HUNG



JAMB DETAIL, FIXED GLASS
SUPERSEAL DESIGNER SINGLE HUNG

HEAD DETAIL
SUPERSEAL DESIGNER
SINGLE HUNG



SILL DETAIL
SUPERSEAL DESIGNER
SINGLE HUNG

1/4" [6]