

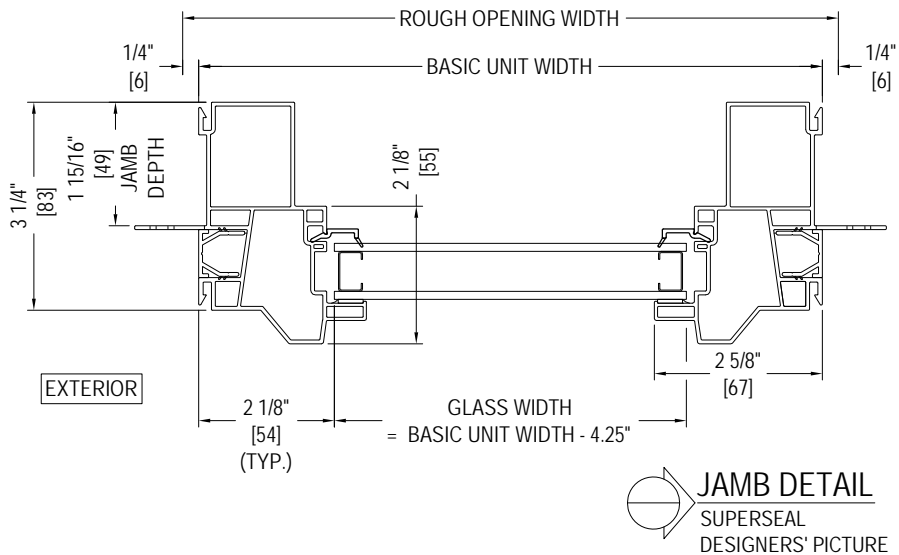
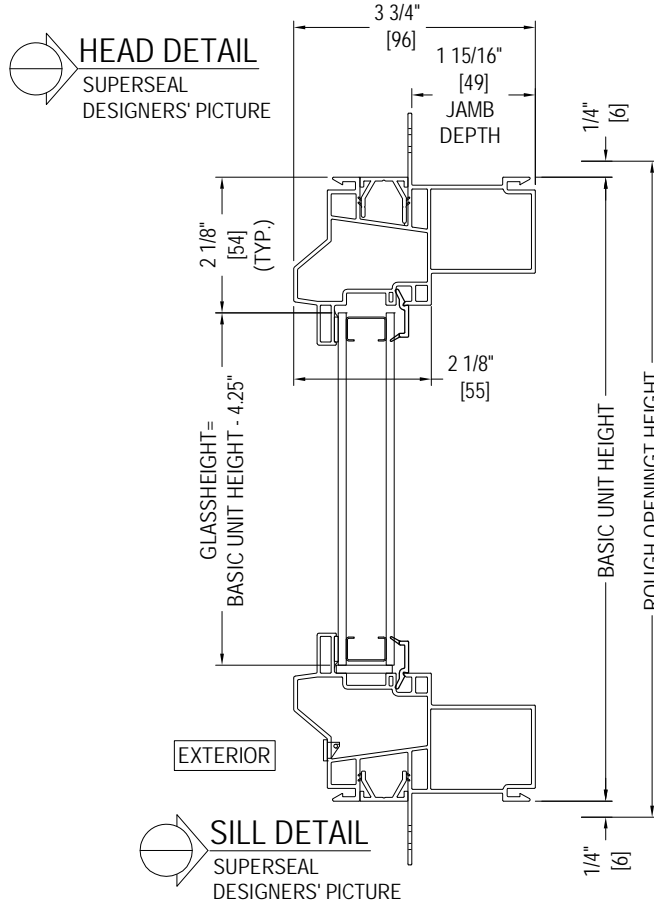
SIZING FORMULAS

BASIC UNIT WIDTH OR HEIGHT = (GLASS + 4.25")

GLASS WIDTH OR HEIGHT = (BASIC UNIT - 4.25")

New Construction

Drawn to Full Scale
Printed to 4" = 1' Scale
Merrill Wi
7800



SIZING FORMULAS

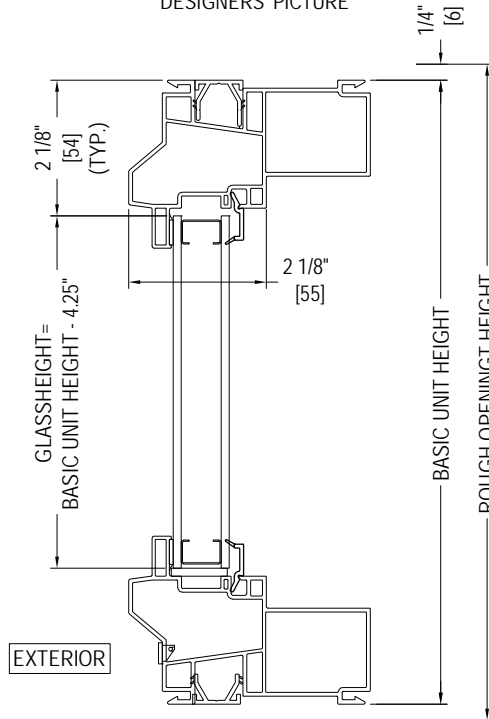
BASIC UNIT WIDTH OR HEIGHT = (GLASS + 4.25")

GLASS WIDTH OR HEIGHT = (BASIC UNIT - 4.25")

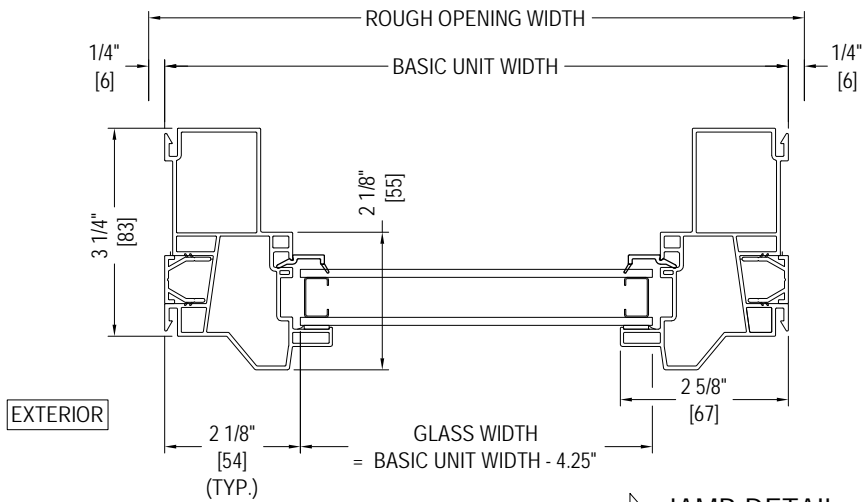
Replacement

Drawn to Full Scale
Printed to 4" = 1' Scale
Merrill Wi
7800

HEAD DETAIL
SUPERSEAL
DESIGNERS' PICTURE



SILL DETAIL
SUPERSEAL
DESIGNERS' PICTURE



JAMB DETAIL
SUPERSEAL
DESIGNERS' PICTURE