

SIZING FORMULAS

BASIC UNIT WIDTH OR HEIGHT = (GLASS + 4.25")

GLASS WIDTH OR HEIGHT = (BASIC UNIT - 4.25")

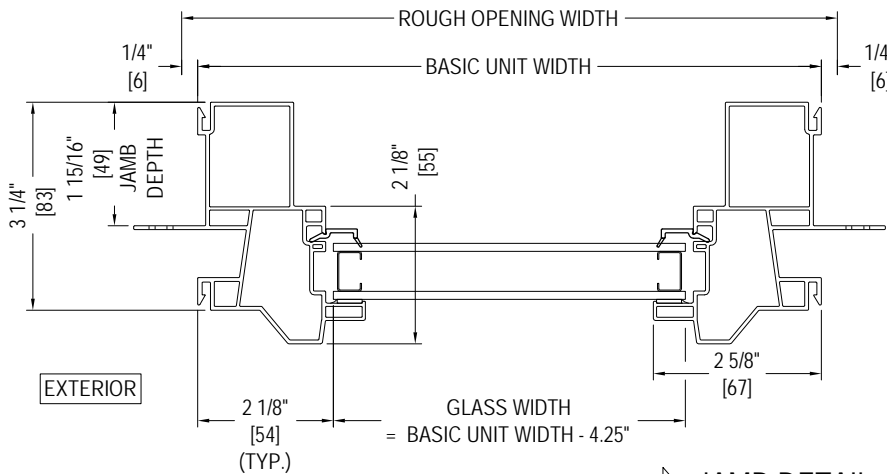
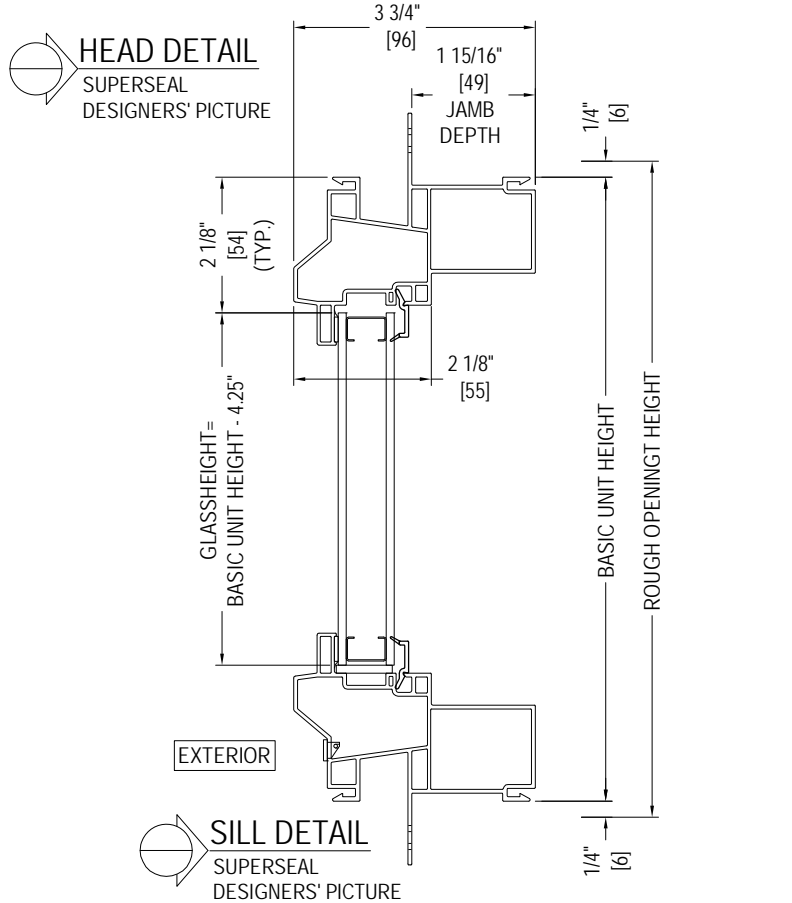
New Construction

Drawn to Full Scale

Printed to 4" = 1' Scale

Merrill Wi

7800



JAMB DETAIL
SUPERSEAL
DESIGNERS' PICTURE

SIZING FORMULAS

BASIC UNIT WIDTH OR HEIGHT = (GLASS + 4.25")

GLASS WIDTH OR HEIGHT = (BASIC UNIT - 4.25")

Replacement

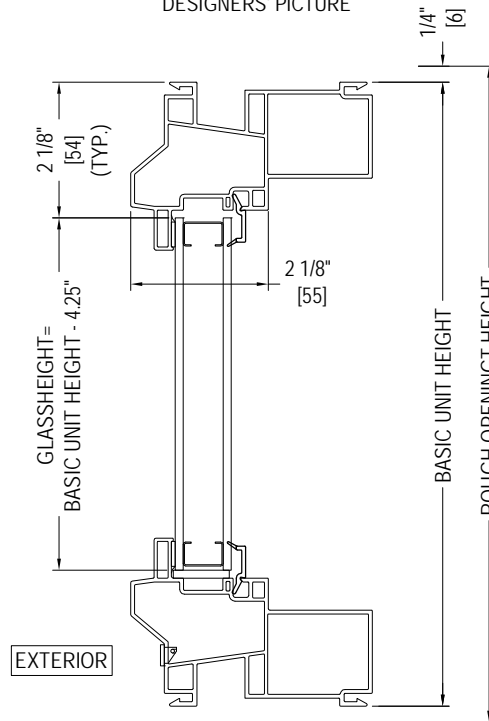
Drawn to Full Scale

Printed to 4" = 1' Scale

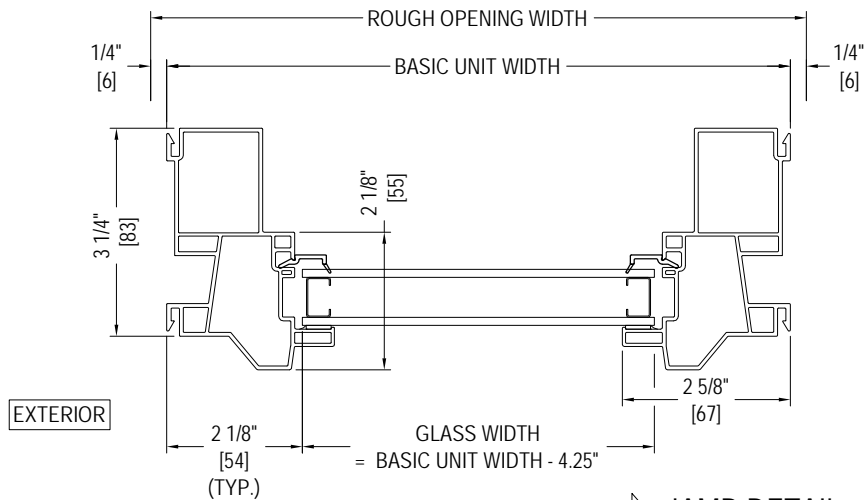
Merrill Wi

7800

HEAD DETAIL
SUPERSEAL
DESIGNERS' PICTURE



SILL DETAIL
SUPERSEAL
DESIGNERS' PICTURE



JAMB DETAIL
SUPERSEAL
DESIGNERS' PICTURE