

SIZING WIDTH FORMULAS

BASIC UNIT WIDTH = GLASS WIDTH X 2 + 2.312"

FIXED GLASS WIDTH = BASIC UNIT WIDTH / 2 - 2.312"

SASH GLASS WIDTH = BASIC UNIT WIDTH / 2 - 2.312"

SCREEN WIDTH = SASH GLASS WIDTH - 0.312"

SIZING HEIGHT FORMULAS

BASIC UNIT HEIGHT = SASH GLASS HEIGHT + 4.438"
or FIXED GLASS HEIGHT + 3.688"

FIXED GLASS HEIGHT = BASIC UNIT HEIGHT - 3.688"

SASH GLASS HEIGHT = BASIC UNIT HEIGHT - 4.438"

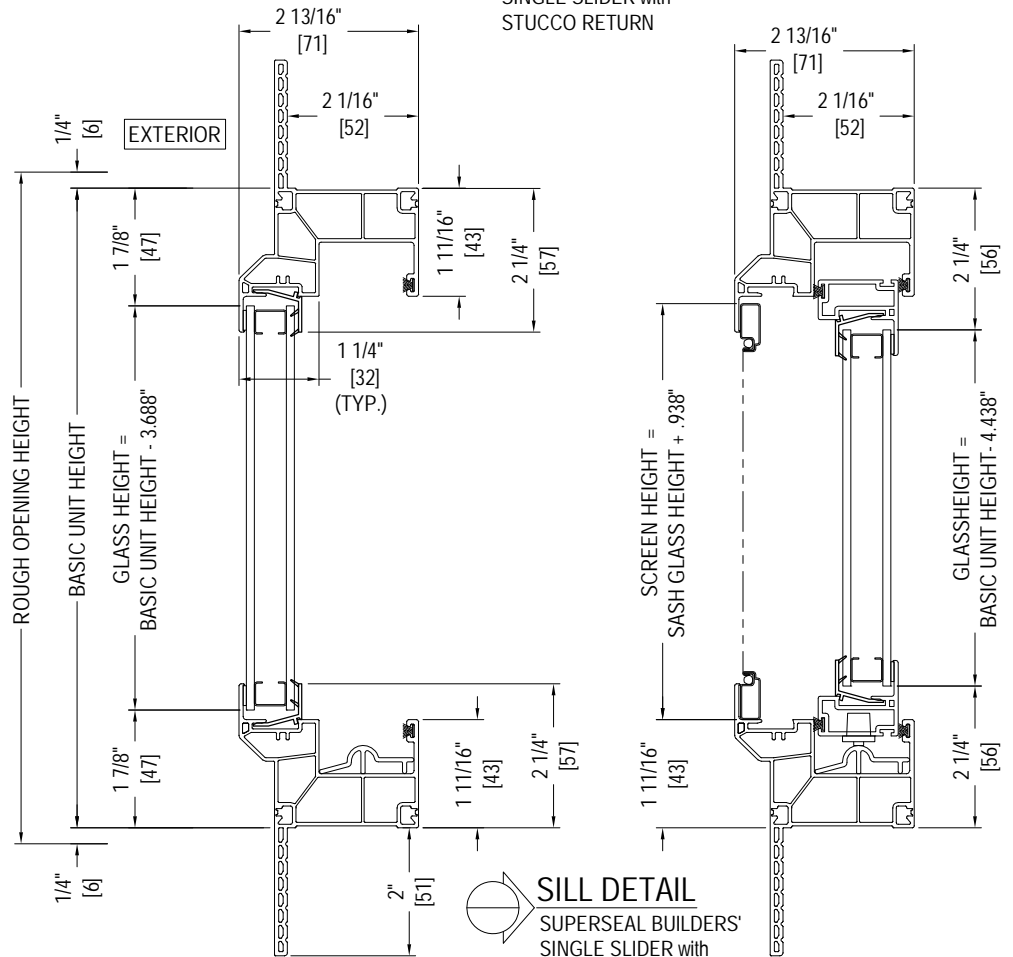
SASH HEIGHT = SASH GLASS HEIGHT + 1.562"

SCREEN HEIGHT = SASH GLASS HEIGHT + 0.938"

Drawn to Full Scale
Printed to 4" = 1' Scale
Merrill Wi
1250

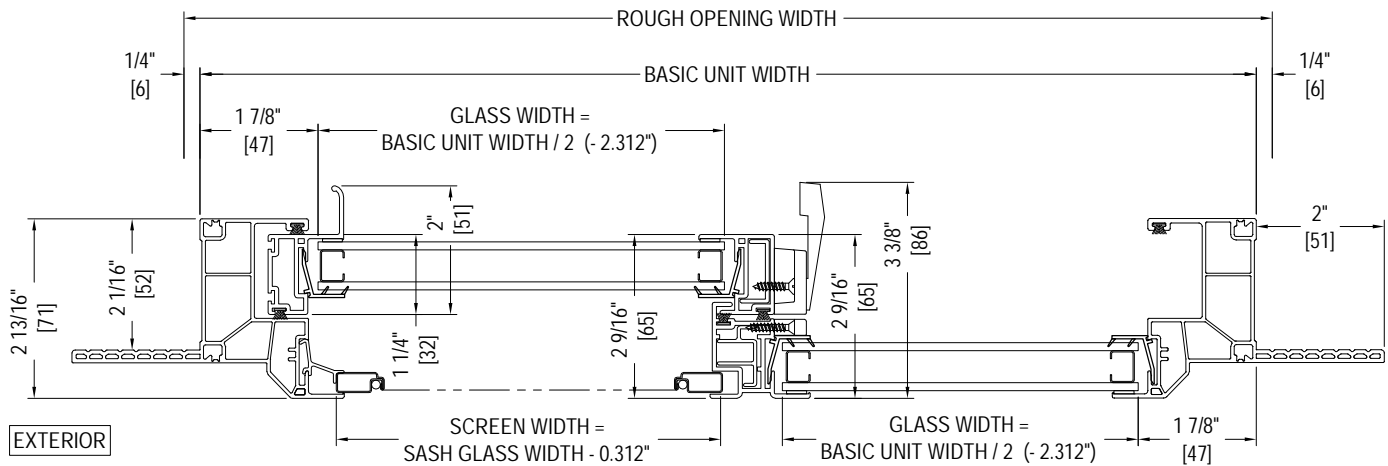
HEAD DETAIL

SUPERSEAL BUILDERS'
SINGLE SLIDER with
STUCCO RETURN



SILL DETAIL

SUPERSEAL BUILDERS'
SINGLE SLIDER with
STUCCO RETURN



JAMB DETAIL

SUPERSEAL BUILDERS' SINGLE SLIDER with STUCCO RETURN
LEFT / FIXED SHOWN.
ALSO AVAILABLE AS FIXED / RIGHT