

SIZING WIDTH FORMULAS

BASIC UNIT WIDTH = GLASS WIDTH X 2 + 2.312"

FIXED GLASS WIDTH = BASIC UNIT WIDTH / 2 - 2.312"

SASH GLASS WIDTH = BASIC UNIT WIDTH / 2 - 2.312"

SCREEN WIDTH = SASH GLASS WIDTH - 0.312"

SIZING HEIGHT FORMULAS

BASIC UNIT HEIGHT = SASH GLASS HEIGHT + 4.438"
or FIXED GLASS HEIGHT + 3.688"

FIXED GLASS HEIGHT = BASIC UNIT HEIGHT - 3.688"

SASH GLASS HEIGHT = BASIC UNIT HEIGHT - 4.438"

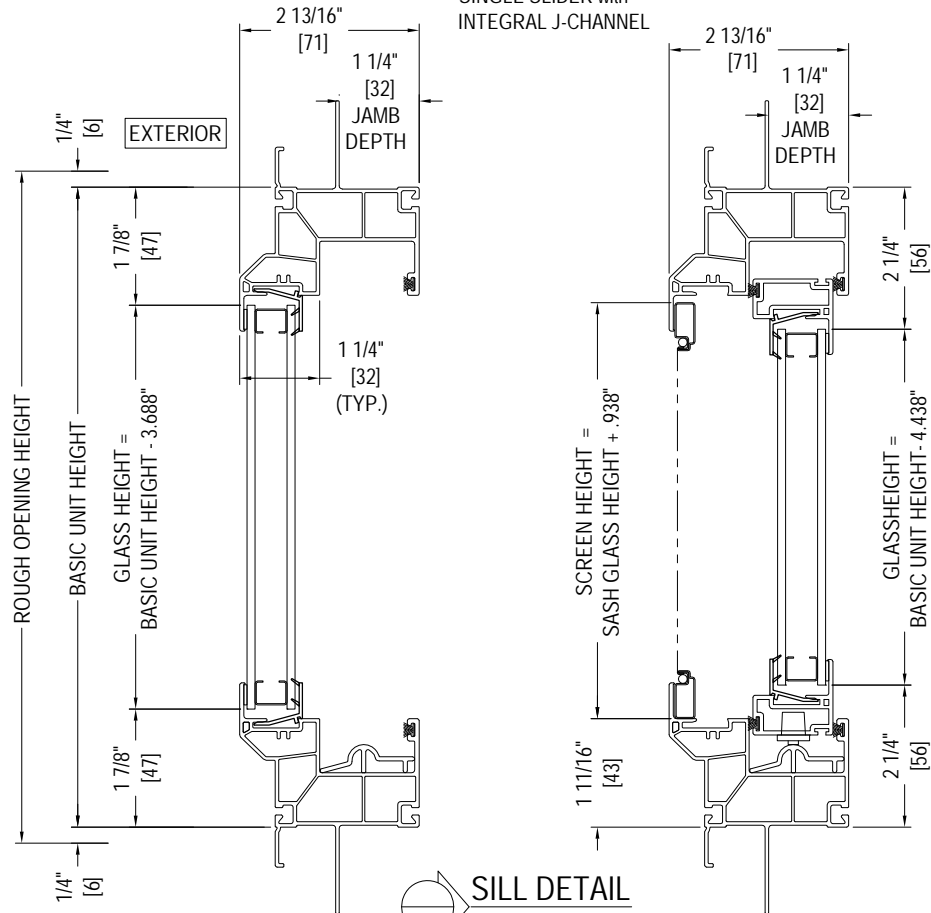
SASH HEIGHT = SASH GLASS HEIGHT + 1.562"

SCREEN HEIGHT = SASH GLASS HEIGHT + 0.938"

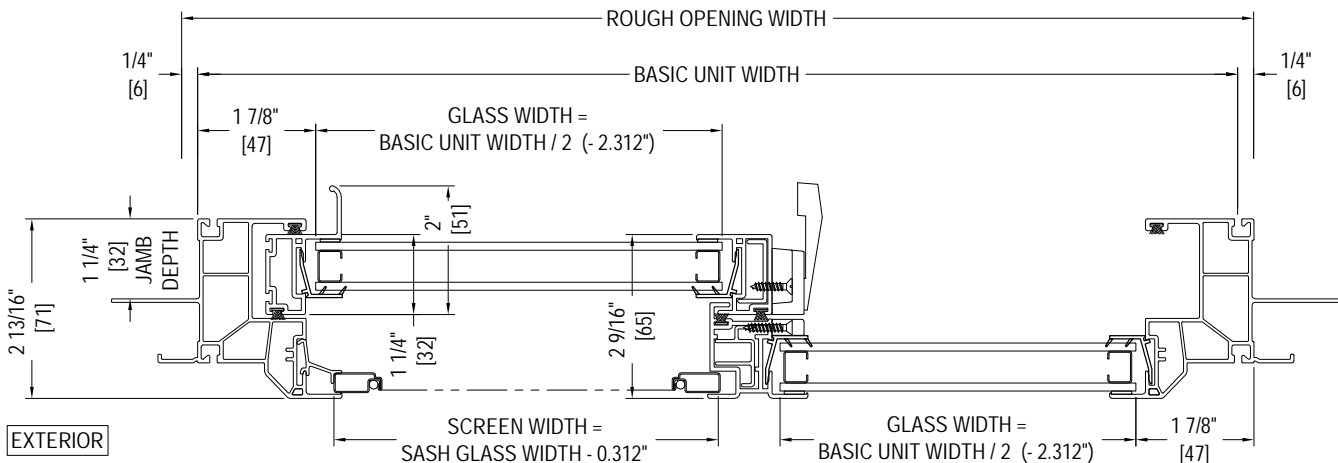
New Construction

Drawn to Full Scale
Printed to 4" = 1' Scale
Merrill Wi
1250

HEAD DETAIL SUPERSEAL BUILDERS' SINGLE SLIDER with INTEGRAL J-CHANNEL



SILL DETAIL SUPERSEAL BUILDERS' SINGLE SLIDER with INTEGRAL J-CHANNEL



JAMB DETAIL SUPERSEAL BUILDERS' SINGLE SLIDER with INTEGRAL J-CHANNEL LEFT / FIXED SHOWN. ALSO AVAILABLE AS FIXED / RIGHT

SIZING WIDTH FORMULAS

BASIC UNIT WIDTH = GLASS WIDTH X 2 + 2.312"

FIXED GLASS WIDTH = BASIC UNIT WIDTH / 2 - 2.312"

SASH GLASS WIDTH = BASIC UNIT WIDTH / 2 - 2.312"

SCREEN WIDTH = SASH GLASS WIDTH - 0.312"

Replacement

Drawn to Full Scale
Printed to 4" = 1' Scale
Merrill Wi
1200

SIZING HEIGHT FORMULAS

BASIC UNIT HEIGHT = SASH GLASS HEIGHT + 4.438"
or FIXED GLASS HEIGHT + 3.688"

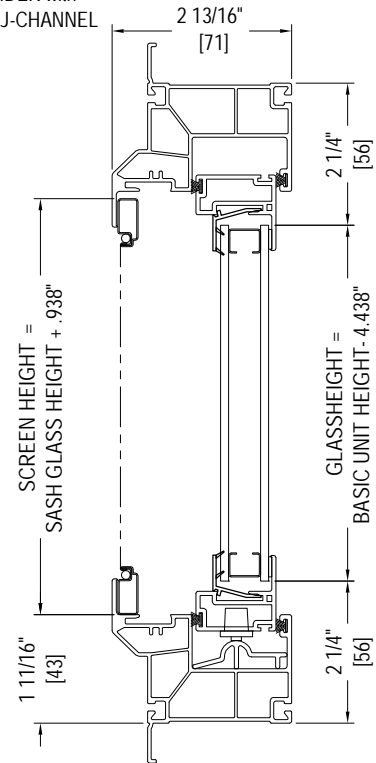
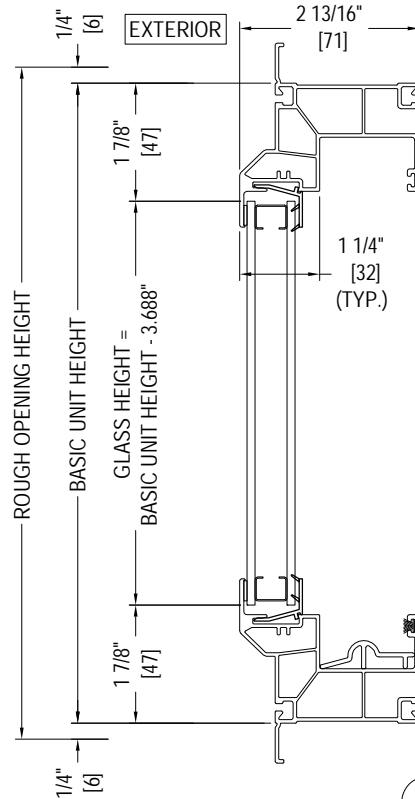
FIXED GLASS HEIGHT = BASIC UNIT HEIGHT - 3.688"

SASH GLASS HEIGHT = BASIC UNIT HEIGHT - 4.438"

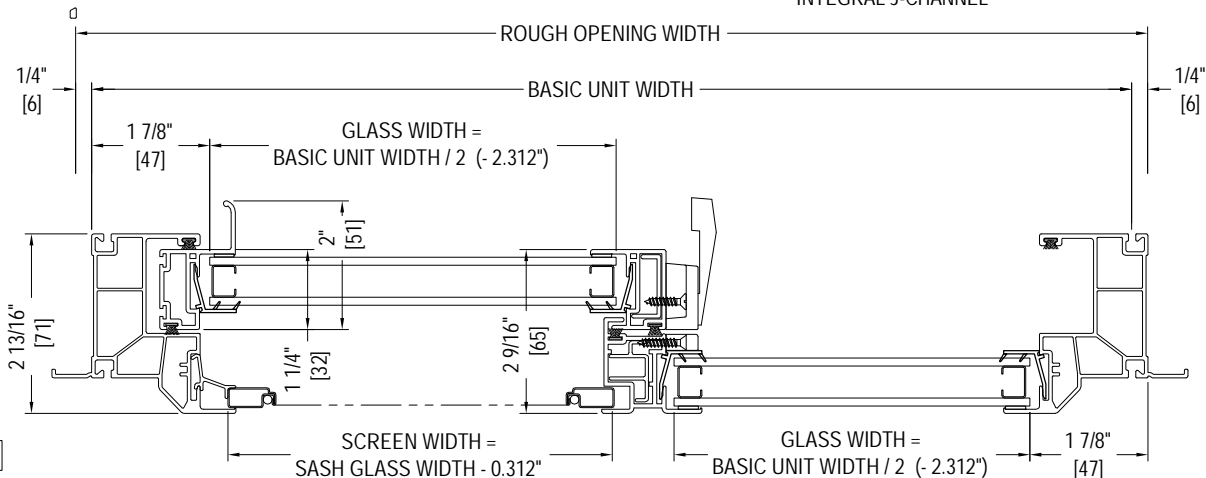
SASH HEIGHT = SASH GLASS HEIGHT + 1.562"

SCREEN HEIGHT = SASH GLASS HEIGHT + 0.938"

HEAD DETAIL
SUPERSEAL BUILDERS'
SINGLE SLIDER with
INTEGRAL J-CHANNEL



SILL DETAIL
SUPERSEAL BUILDERS'
SINGLE SLIDER with
INTEGRAL J-CHANNEL



JAMB DETAIL
SUPERSEAL BUILDERS' SINGLE SLIDER with
INTEGRAL J-CHANNEL
LEFT / FIXED SHOWN.
ALSO AVAILABLE AS FIXED / RIGHT