

SUPERSEAL® 8000 Builders' Vinyl Picture Window

Windows & Doors

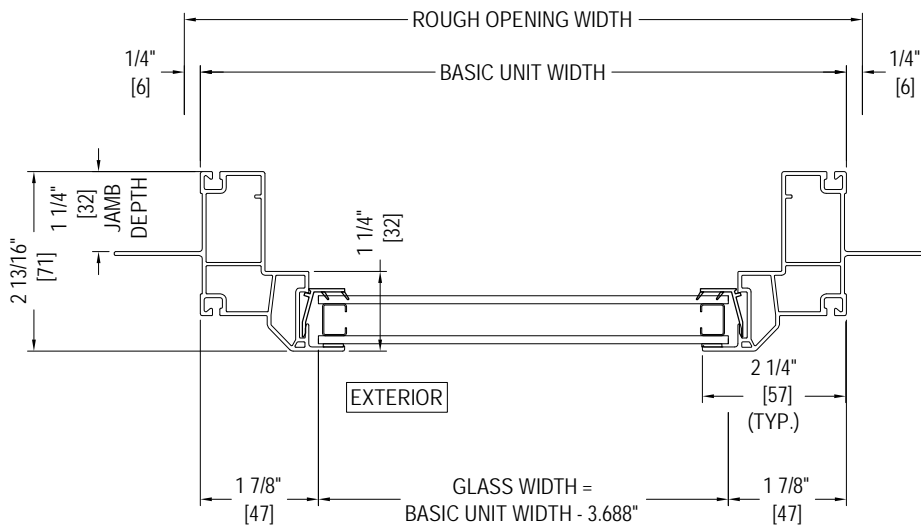
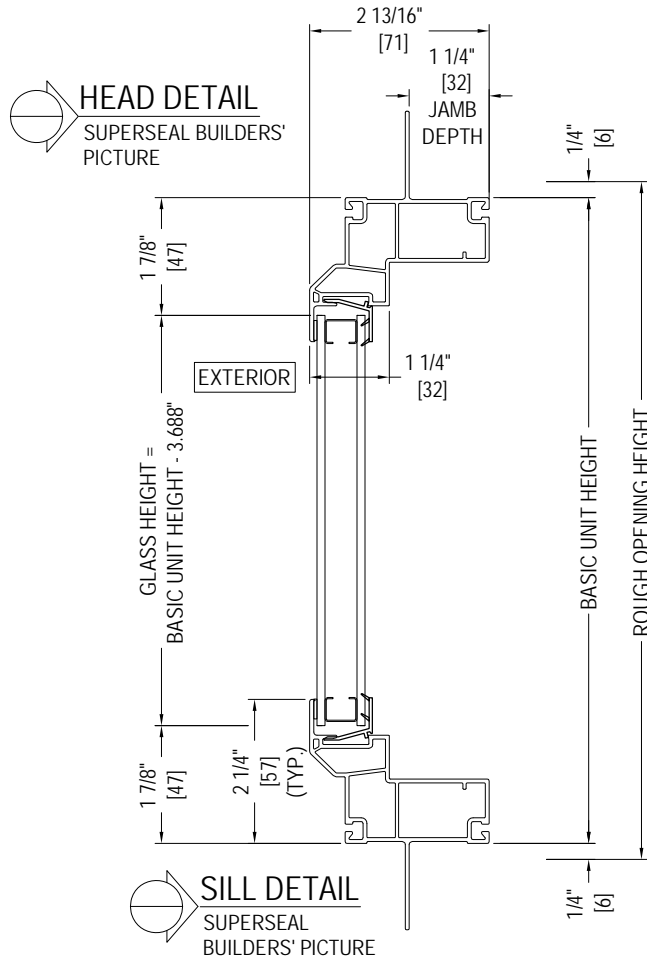
Drawn to Full Scale
Printed to 4" = 1' Scale
Merrill Wi
1250

SIZING FORMULAS

BASIC UNIT WIDTH = GLASS WIDTH + 3.688"
GLASS WIDTH = BASIC UNIT WIDTH - 3.688"

BASIC UNIT HEIGHT = GLASS HEIGHT + 3.688"
GLASS HEIGHT = BASIC UNIT HEIGHT - 3.688"

New Construction



SUPERSEAL® 8500 Builders' Vinyl Picture Window

Windows & Doors

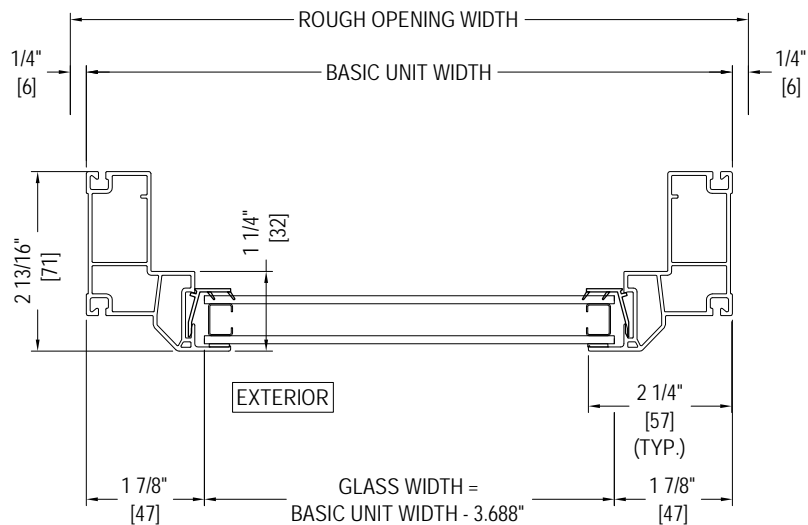
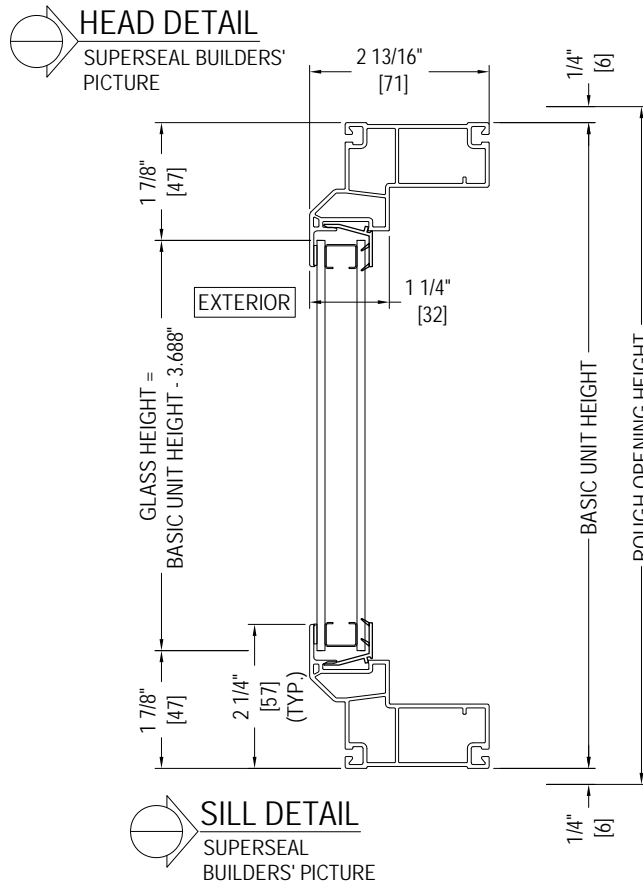
Drawn to Full Scale
Printed to 4" = 1' Scale
Merrill Wi
1200

SIZING FORMULAS

BASIC UNIT WIDTH = GLASS WIDTH + 3.688"
GLASS WIDTH = BASIC UNIT WIDTH - 3.688"

BASIC UNIT HEIGHT = GLASS HEIGHT + 3.688"
GLASS HEIGHT = BASIC UNIT HEIGHT - 3.688"

Replacement



JAMB DETAIL
SUPERSEAL BUILDERS' PICTURE