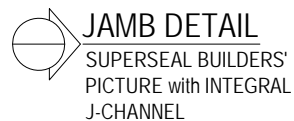
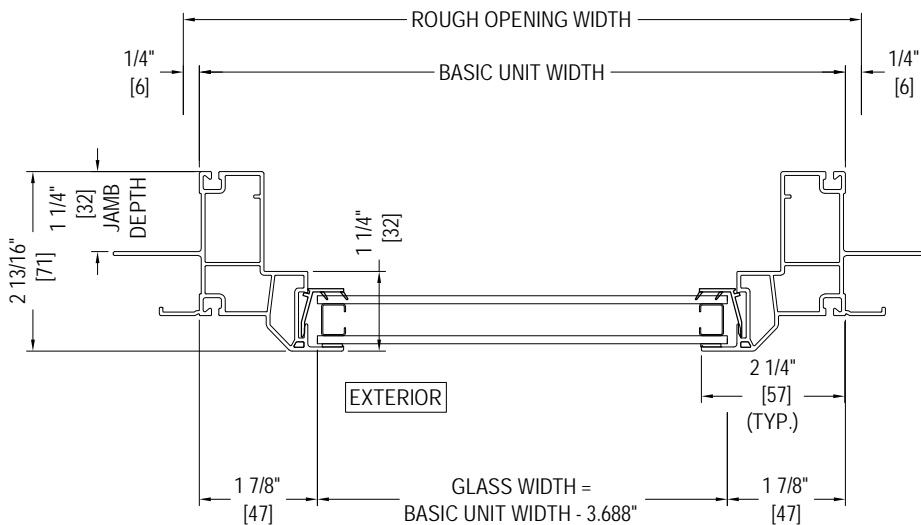
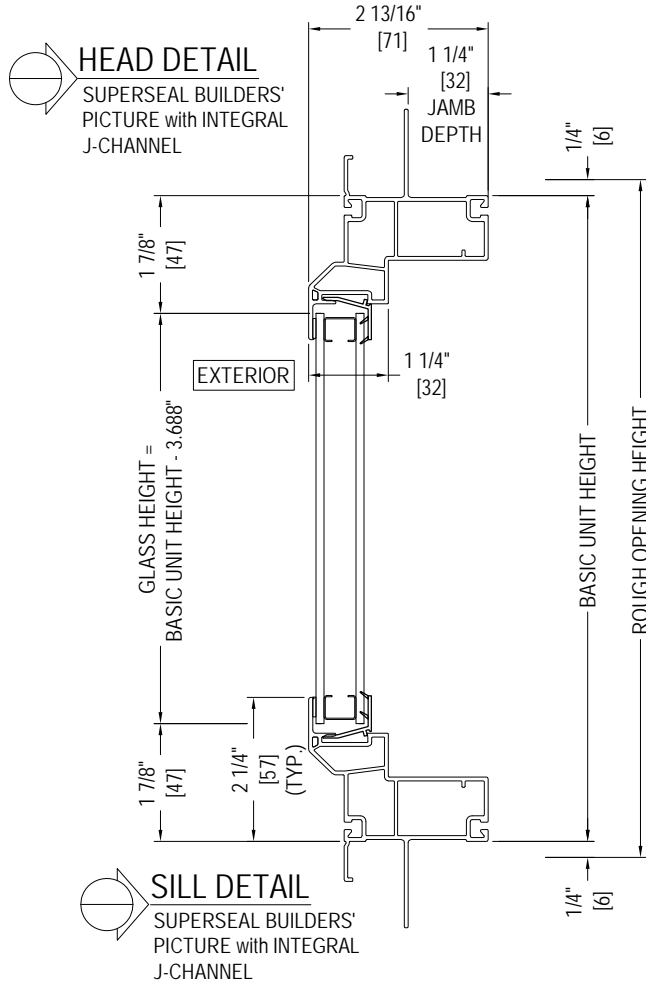


SIZING FORMULAS

BASIC UNIT WIDTH = GLASS WIDTH + 3.688"
GLASS WIDTH = BASIC UNIT WIDTH - 3.688"

BASIC UNIT HEIGHT = GLASS HEIGHT + 3.688"
GLASS HEIGHT = BASIC UNIT HEIGHT - 3.688"

New Construction



SIZING FORMULAS

BASIC UNIT WIDTH = GLASS WIDTH + 3.688"
GLASS WIDTH = BASIC UNIT WIDTH - 3.688"

BASIC UNIT HEIGHT = GLASS HEIGHT + 3.688"
GLASS HEIGHT = BASIC UNIT HEIGHT - 3.688"

Replacement

